

Powerwash SXT Washdown Duty, 3-Phase, All Stainless Steel, Totally Enclosed Motors

C-Face Footless



marathon®
Motors

Features

- Suitable for use on VFD 10:1 Variable torque, 10:1 (TEFC) or 1000:1 (TENV) Constant Torque
- MAX GUARD® Class F insulation system
- 1.15 Service Factor on sinewave, 1.0 Service Factor on IGBT power
- Double-sealed ball bearings
- 303 stainless steel shaft with spring-loaded contact seals in each end (drive end only on TENV)
- 300 Series Stainless steel external construction: frame, end shields, conduit box, mounting base and hardware for superior corrosion resistance
- Internal corrosion resistant coatings on the rotor and heavy polyester varnish on the stator
- 100% paint-free construction
- One-way condensation drains in each end shield and conduit box for all-angle mounting
- Nitrile Buna-N gaskets and seals on conduit box, through bolts and end shields
- Rated 60/50 Hz, 190/380 volt at next lower horsepower
- Nameplate information laser etched on frame
- UL Recognized, CSA Certified and CE Mark
- IP55 Rating

Motor Shipping Schedule *

Same or one day *	Up to 7 days	Up to 10 days
-------------------	--------------	---------------

Color indicates shipping lead time in business days. Check stock status online.
* Certain heavy and oversized items can be shipped only via LTL.
Check our website for current shipping method constraints by part number.

Applications

- Replaces 90 volt and 180 volt PMDC motors (when used with AC variable frequency drives)
- Typical uses include machine tools, conveyors, packaging machines, batching machines, food and beverage equipment, pumps and fans.

Motor Specifications – Powerwash SXT Washdown Duty 3-Phase All Stainless Steel Totally Enclosed Motors

Part Number*	Price	HP	Base RPM	Volts	Encl.	NEMA Design	NEMA Frame	Model No.	F.L. Amps	Weight (lb)*	
N430		1/3	1800	208-230 / 460 - 190 / 380	TENV	B	56C	56T17VD5329 AA	1.2-1.3 / 0.65 - 1.2 / 0.60	21.2	
N431		1/2						56T17VD5330 A	1.5-1.6 / 0.80 - 1.6 / 0.80	23	
N432		3/4						56T17VD5331 A	2.4-2.3 / 1.15 - 2.0 / 1.0	30.2	
N433A		1						56T17WD15330 A	3.4-3.0 / 1.5 - 3.0 / 1.5	43.5	
N437A		2			230 / 460 - 190 / 380		TEFC	56C	56T17WD15332 A	5.4 / 2.7 - 5.0 / 2.5	52
N438B		2			208-230 / 460 - 190 / 380			145TC	145TTWD6528 A	5.8-5.4 / 2.7 - 5.0 / 2.5	52.6

* Refer to the Motor Shipping Schedule table for shipping information.

Certain heavy and oversized items can be shipped only via LTL. Check our website for current shipping method constraints by part number.

Note: Please review the AutomationDirect Terms & Conditions for warranty and service on this product. Warranty service can be arranged through numerous Marathon Electric service centers. See list of service centers on our website at [www.marathonmotors.com](#).

Powerwash SXT Washdown Duty, 3-Phase, All Stainless Steel, Totally Enclosed Motors

C-Face Footless

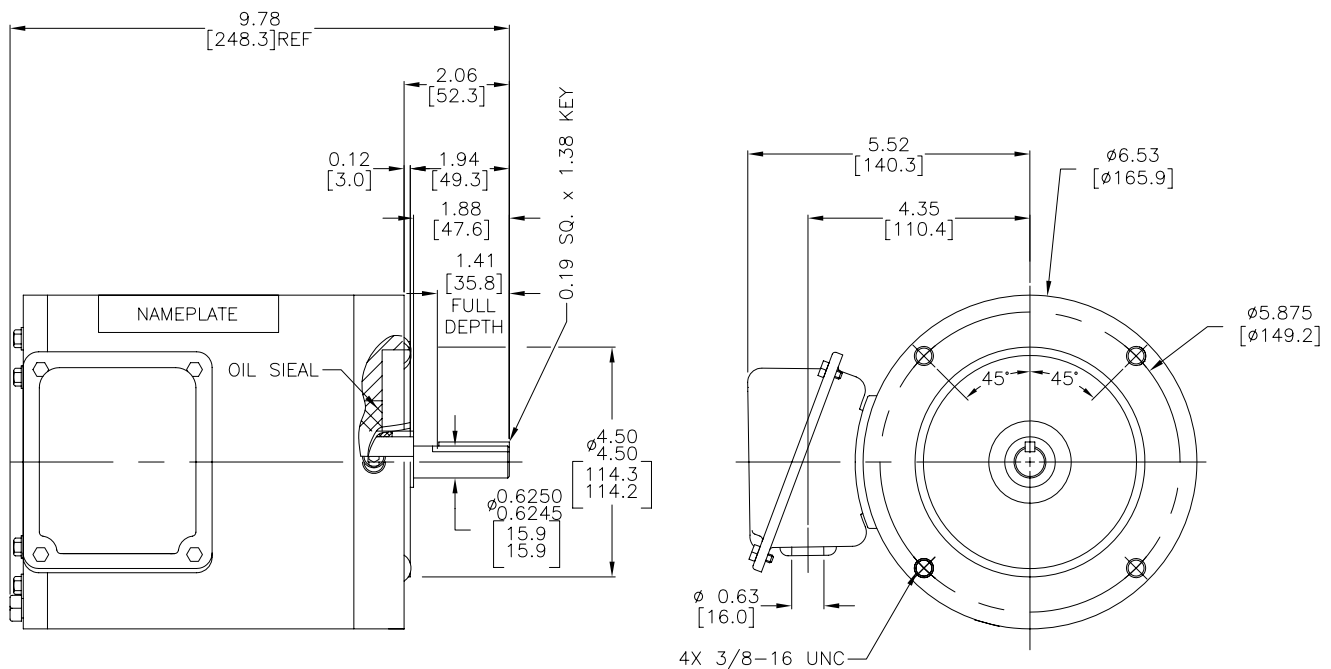
Performance Data

Performance Data – Powerwash SXT Washdown Duty 3-Phase All Stainless Steel Totally Enclosed Motors													
Part Number	HP	F.L. RPM	Min. RPM	F.L. AMPS @460V	N.L. AMPS @460V	F.L. Torque (lb-ft)	B.D. Torque (lb-ft)	Max. CHP RPM*	Max. Safe RPM	F.L. Effic.	F.L. Power Factor	Rotor Inertia (lb-ft ²)	Footnotes
<u>N430</u>	1/3	1740	N/A**	0.65	0.5	16	72	N/A**	N/A**	78.5	63	N/A**	Line Start ONLY Recommended!
<u>N431</u>	1/2		1.74	0.8	0.6	24	89	2700	7000	81.5	68		1000:1 Constant Torque Nameplate footnote: Suitable at 208V at 1.0 S.F.
<u>N432</u>	3/4		N/A**	1.15	0.7	36	163	N/A**	N/A**	82.5	73		Line Start ONLY Recommended!
<u>N433A</u>	1	1750	175	1.5	1.0	2.99	15.83	2700	4000	85.5	71.5		10:1 Variable Torque Nameplate footnote: NEMA Nom. Efficiency, suitable for use at 230/460V only
<u>N437A</u>	2	3450	175	2.7	1.4	5.981	25.44	5400	4000	86.5	80		10:1 Variable Torque Nameplate footnote: Suitable at 208V at 1.0 S.F.
<u>N438B</u>	2	1750	N/A**	2.7	1.4	5.981	25.44	N/A**	N/A**	86.5	80		Line Start ONLY Recommended! Nameplate footnote: NEMA Nom. Efficiency, suitable for use at 230/460V only

Notes: *Maximum Constant HP RPM is for direct-coupled loads.
 **Data not available from manufacturer.

Dimensions in [mm]

Figure 1 – N430-N432 Dimensions

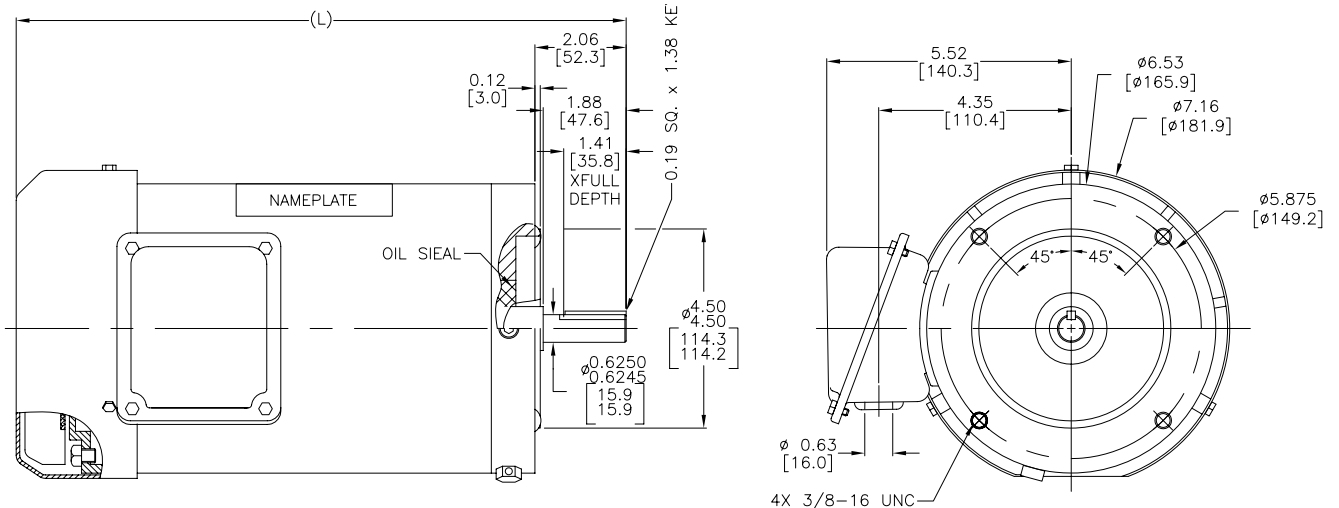


Powerwash SXT Washdown Duty, 3-Phase, All Stainless Steel, Totally Enclosed Motors

C-Face Footless

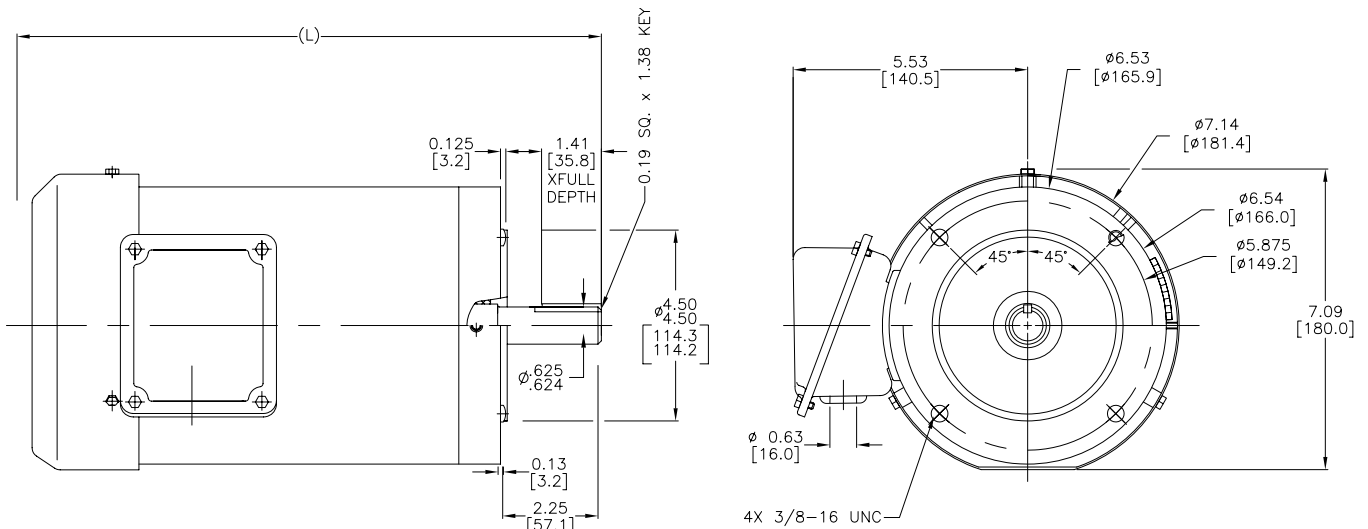
Dimensions
in [mm]

Figure 2 – N433A, N437A Dimensions



Motor Dimensions (inches)	
Part Number	Length (L)
N433A	13.2
N437A	14.0

Figure 3 – N438B Dimensions



Motor Dimensions (inches)	
Part Number	Length (L)
N438B	14.1