



Pneumatic Air Preparation - AFR2 Series Combination Filter and Regulators



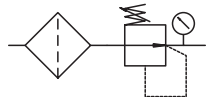
Modular Assembly Example



AFR2-6633-AD AFR2-3233-D AFR2-2133-N



Mounting bracket included.



Combination Filter-Regulator

NITRA® pneumatic combination particulate / moisture separation air filters and adjustable pressure regulators are available with 1/8", 1/4", 3/8", 1/2", 3/4" or 1" NPT female port sizes to meet a broad range of pneumatic air supply filtration and regulation applications all in a single convenient unit. Available with either a manual / semi-automatic or automatic drain. All-metal bowls with sight gauge are available in all sizes. Polycarbonate or nylon bowls with metal bowl guards are available in 2xxx, 3xxx and 4xxx sizes. Replaceable 40-micron filter elements are standard. An optional 5-micron filter element (purchased separately and customer installable) is available when stricter filtration is required.

The pressure regulator features a locking pressure adjustment knob, integral pressure gauge and is available in adjustable pressure ranges of 20 - 60 psi or 20 - 130 psi. The regulator will relieve downstream pressure if the setpoint is reduced.

Provided with a mounting bracket for stand-alone applications, the modular design also enables easy field assembly with NITRA pneumatic lubricators (using modular assembly brackets purchased separately).

Features

- Air filtration and regulation all in a single convenient unit
- 1/8", 1/4", 3/8", 1/2", 3/4" and 1" NPT female port sizes
- 40-micron replaceable filter element standard; for stricter filtration an optional 5-micron filter element purchased separately is easily customer installable
- All-metal bowls with sight gauge available on all sizes. Polycarbonate or nylon bowls with metal bowl guards available on 2xxx, 3xxx and 4xxx sizes.
- Manual / semi-automatic and automatic drains available
- Adjustable ranges of 20 - 60 psi and 20-130 psi
- Locking pressure adjustment knob
- Integral pressure gauge
- Mounting bracket provided for stand-alone applications
- Modular design enables easy field assembly with NITRA lubricators
- 2 year warranty



*See for
a wide variety of fitting options*



Pneumatic Air Preparation - AFR2 Series Combination Filter and Regulators

AFR2 Series Combination Filter and Regulators													
Part No.	Price	Weight (lbs)	Port Size (FNPT)	Drain Bowl Capacity	Drain Type	Fluid	Temperature	Filtering Grade	Operating Pressure	Maximum Pressure	Proof Pressure	Drawing Link	
AFR2-2132-N		0.82	1/8"	25cc nylon with metal bowl guard	Manual/ Semi-Automatic	Air	-5°C to 70°C (23°F to 158°F)	40µ (5µ element can be ordered separately and field installed)	20-60psi (0.14-0.41MPa) (1.4-4.1 bar)	60psi (0.41MPa) (4.1 bar)	215psi (1.5MPa) (15 bar)	PDF	
AFR2-2132-D	0.85	25cc die-cast aluminum bowl w/ sight		PDF									
AFR2-2132	0.83	25cc polycarbonate with metal bowl guard		PDF									
AFR2-2133-N	0.83	25cc nylon with metal bowl guard		PDF									
AFR2-2133-D	0.86	25cc die-cast aluminum bowl w/ sight		PDF									
AFR2-2133	0.84	25cc polycarbonate with metal bowl guard		PDF									
AFR2-2232-N	0.82	25cc nylon with metal bowl guard	1/4"	Manual/ Semi-Automatic	20-60psi (0.14-0.41MPa) (1.4-4.1 bar)				60psi (0.41MPa) (4.1 bar)	PDF			
AFR2-2232-D	0.84	25cc die-cast aluminum bowl w/ sight								PDF			
AFR2-2232	0.82	25cc polycarbonate with metal bowl guard								PDF			
AFR2-2233-N	0.83	25cc nylon with metal bowl guard								PDF			
AFR2-2233-D	0.86	25cc die-cast aluminum bowl w/ sight								PDF			
AFR2-2233	0.84	25cc polycarbonate with metal bowl guard								PDF			
AFR2-3232-N	1.34	60cc nylon with metal bowl guard	1/4"	Automatic	20-60psi (0.14-0.41MPa) (1.4-4.1 bar)				60psi (0.41MPa) (4.1 bar)	PDF			
AFR2-3232-D	1.38	60cc die-cast aluminum bowl w/ sight								PDF			
AFR2-3232	1.35	60cc polycarbonate with metal bowl guard								PDF			
AFR2-3232-AN	1.37	60cc nylon with metal bowl guard								PDF			
AFR2-3232-AD	1.41	60cc die-cast aluminum bowl w/ sight								PDF			
AFR2-3232-A	1.39	60cc polycarbonate with metal bowl guard								PDF			
AFR2-3233-N	1.36	60cc nylon with metal bowl guard		Manual/ Semi-Automatic						20-130psi (0.14-0.90MPa) (1.4-9.0 bar)		145psi (1.0MPa) (10 bar)	PDF
AFR2-3233-D	1.39	60cc die-cast aluminum bowl w/ sight											PDF
AFR2-3233	1.37	60cc polycarbonate with metal bowl guard											PDF
AFR2-3233-AN	1.39	60cc nylon with metal bowl guard											PDF
AFR2-3233-AD	1.42	60cc die-cast aluminum bowl w/ sight											PDF
AFR2-3233-A	1.4	60cc polycarbonate with metal bowl guard											PDF
AFR2-3332-N	1.33	60cc nylon with metal bowl guard	3/8"	Manual/ Semi-Automatic	20-60psi (0.14-0.41MPa) (1.4-4.1 bar)	60psi (0.41MPa) (4.1 bar)	PDF						
AFR2-3332-D	1.37	60cc die-cast aluminum bowl w/ sight					PDF						
AFR2-3332	1.35	60cc polycarbonate with metal bowl guard					PDF						
AFR2-3332-AN	1.36	60cc nylon with metal bowl guard					Automatic	PDF					
AFR2-3332-AD	1.38	60cc die-cast aluminum bowl w/ sight						PDF					
AFR2-3332-A	1.38	60cc polycarbonate with metal bowl guard						PDF					

See our Web site for complete Engineering drawings.



Pneumatic Air Preparation - AFR2 Series Combination Filter and Regulators

AFR2 Series Combination Filter and Regulators Cont.												
Part No.	Price	Weight (lbs)	Port Size (FNPT)	Drain Bowl Capacity	Drain Type	Fluid	Temperature	Filtering Grade	Operating Pressure	Maximum Pressure	Proof Pressure	Drawing Link
AFR2-3333-N		1.34	3/8"	60cc nylon with metal bowl guard	Manual/Semi-Automatic	Air	-5°C to 70°C (23°F to 158°F)	40µ (5µ element can be ordered separately and field installed)	20-130psi (0.14-0.90MPa) (1.4-9.0 bar)	145psi (1.0MPa) (10 bar)	215psi (1.5MPa) (15 bar)	PDF
AFR2-3333-D		1.39		60cc die-cast aluminum bowl w/ sight								PDF
AFR2-3333		1.37		60cc polycarbonate with metal bowl guard								PDF
AFR2-3333-AN		1.37		60cc nylon with metal bowl guard	Automatic							PDF
AFR2-3333-AD		1.42		60cc die-cast aluminum bowl w/ sight								PDF
AFR2-3333-A		1.4		60cc polycarbonate with metal bowl guard								PDF
AFR2-4433-N		2.33	1/2"	100cc nylon with metal bowl guard	Manual/Semi-Automatic							PDF
AFR2-4433-D		2.41		100cc die-cast aluminum bowl w/ sight								PDF
AFR2-4433		2.4		100cc polycarbonate with metal bowl guard								PDF
AFR2-4433-AN		2.4		100cc nylon with metal bowl guard	Automatic							PDF
AFR2-4433-AD		2.42		100cc die-cast aluminum bowl w/ sight								PDF
AFR2-4433-A		2.28		100cc polycarbonate with metal bowl guard								PDF
AFR2-6633-D		5.26	3/4"	205cc die-cast aluminum bowl w/ sight	Manual/Semi-Automatic	PDF						
AFR2-6633-AD		5.29			Automatic	PDF						
AFR2-6833-D		5.13	1"		Manual/Semi-Automatic	PDF						
AFR2-6833-AD		5.27			Automatic	PDF						

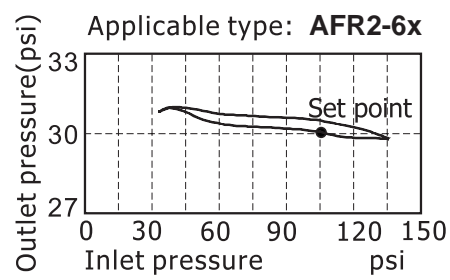
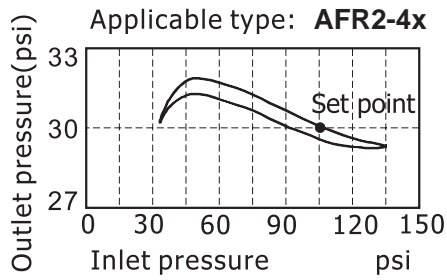
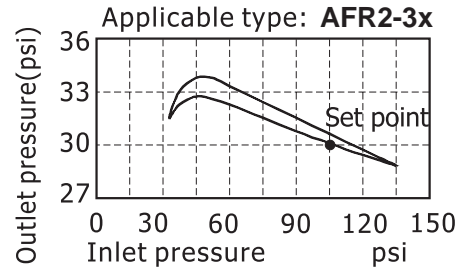
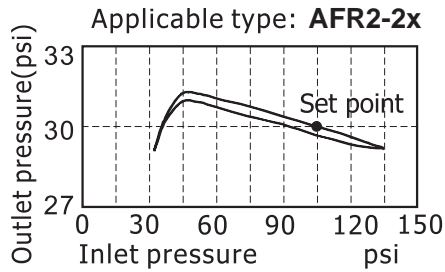
See our Web site for complete Engineering drawings.



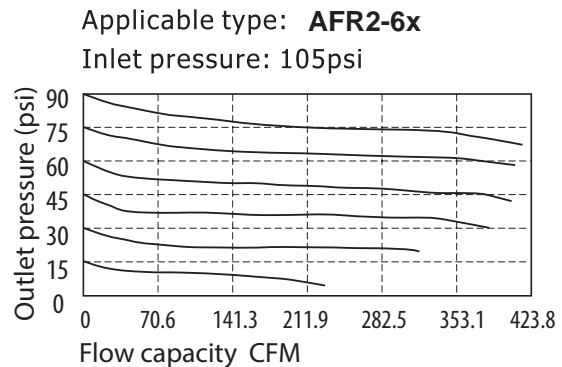
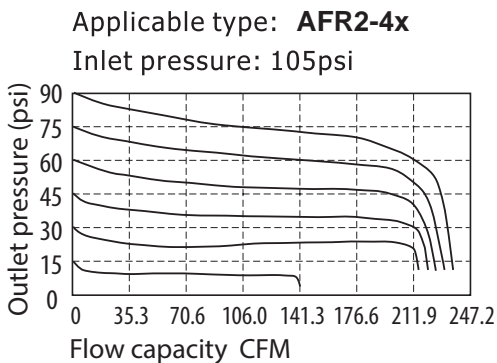
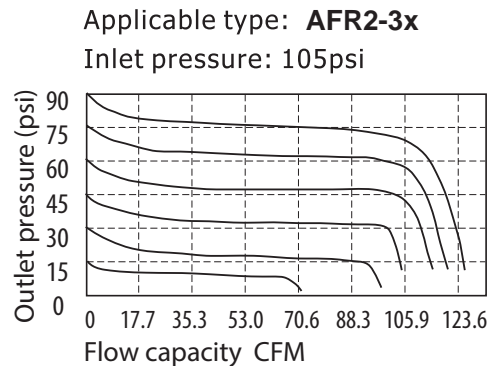
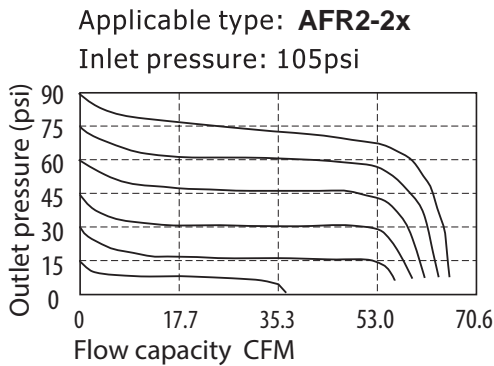
Pneumatic Air Preparation - AFR2 Series Combination Filter and Regulators

Performance Charts

Pressure chart



Flow chart





GEN 2 Pneumatic Air Prep Accessories



Part No. AGP2-21



Part No. AGP2-31



Part No. AGP2-42

GEN 2 Pneumatic Air Preparation Accessories				
Part No.	Price	Description	Weight (lbs)	Drawing Link
AGP2-21		NITRA pneumatic gauge port adapter plate, 1/8in female NPT connection(s), aluminum. For use with Ax-2 series air prep components. (3) o-rings included.	0.02	PDF
AGP2-31		NITRA pneumatic gauge port adapter plate, 1/8in female NPT connection(s), aluminum. For use with Ax-3 series air prep components. (3) o-rings included.	0.04	PDF
AGP2-42		NITRA pneumatic gauge port adapter plate, 1/4in female NPT connection(s), aluminum. For use with Ax-4 and Ax-6 series air prep components. (3) o-rings included.	0.04	PDF



Part No. AGP-21



Part No. ADB-21



Part No. AB-4T



Part No. AB-4L



Part No. AB-4U

Pneumatic Air Preparation Accessories			
Part No.	Price	Description	Weight (lbs)
AGP-21		NITRA pneumatic gauge port adapter plate, 1/8 inch NPT female port, with mounting screws. Easy field assembly with NITRA pneumatic AR-2 series regulators and AFR-2 series filter / regulators.	0.03
AGP-32		NITRA pneumatic gauge port adapter plate, 1/4 inch NPT female port, with mounting screws. Easy field assembly with NITRA pneumatic AR-3, AR-4 and AR-6 series regulators and AFR-3, AFR-4 and AFR-6 series filter / regulators.	0.04
ADB-21		NITRA pneumatic distribution block with four (4) 1/8 inch NPT female ports. Modular design enables easy field assembly with NITRA pneumatic AF-21 series filters, AR-21 series regulators, AL-21 series lubricators and AFR-21 series filter / regulators.	0.1
ADB-22		NITRA pneumatic distribution block with four (4) 1/4 inch NPT female ports. Modular design enables easy field assembly with NITRA pneumatic AF-22 series filters, AR-22 series regulators, AL-22 series lubricators and AFR-22 series filter / regulators.	0.1
ADB-32		NITRA pneumatic distribution block with four (4) 1/4 inch NPT female ports. Modular design enables easy field assembly with NITRA pneumatic AF-32 series filters, AR-32 series regulators, AL-32 series lubricators and AFR-32 series filter / regulators.	0.2
ADB-33		NITRA pneumatic distribution block with four (4) 3/8 inch NPT female ports. Modular design enables easy field assembly with NITRA pneumatic AF-33 series filters, AR-33 series regulators, AL-33 series lubricators and AFR-33 series filter / regulators.	0.2
ADB-44		NITRA pneumatic distribution block with four (4) 1/2 inch NPT female ports. Modular design enables easy field assembly with NITRA pneumatic AF-44 series filters, AR-44 series regulators and AFR-44 series filter / regulators.	0.4
AB-2T		NITRA pneumatic modular assembly and mounting T-bracket with two mounting tangs, used to assemble and mount individual NITRA AF-2 series filters, AR-2 series regulators, AL-2 series lubricators and AFR-2 series filter/regulators as a combined unit	0.2
AB-2L		NITRA pneumatic modular assembly and mounting L-bracket with one mounting tang, used to assemble and mount individual NITRA AF-2 series filters, AR-2 series regulators, AL-2 series lubricators and AFR-2 series filter/regulators as a combined unit	0.2
AB-2U		NITRA pneumatic modular assembly U-bracket (no mounting tangs), used to assemble individual NITRA AF-2 series filters, AR-2 series regulators, AL-2 series lubricators and AFR-2 series filter/regulators as a combined unit	0.1
AB-3T		NITRA pneumatic modular assembly and mounting T-bracket with two mounting tangs, used to assemble and mount individual NITRA AF-3 series filters, AR-3 series regulators, AL-3 series lubricators and AFR-3 series filter/regulators as a combined unit	0.3
AB-3L		NITRA pneumatic modular assembly and mounting L-bracket with one mounting tang, used to assemble and mount individual NITRA AF-3 series filters, AR-3 series regulators, AL-3 series lubricators and AFR-3 series filter/regulators as a combined unit	0.3
AB-3U		NITRA pneumatic modular assembly U-bracket (no mounting tangs), used to assemble individual NITRA AF-3 series filters, AR-3 series regulators, AL-3 series lubricators and AFR-3 series filter/regulators as a combined unit	0.2
AB-4T		NITRA pneumatic modular assembly and mounting T-bracket with two mounting tangs, used to assemble and mount individual NITRA AF-4 series filters, AR-4 series regulators, AL-4 series lubricators and AFR-4 series filter/regulators as a combined unit	0.5
AB-4L		NITRA pneumatic modular assembly and mounting L-bracket with one mounting tang, used to assemble and mount individual NITRA AF-4 series filters, AR-4 series regulators, AL-4 series lubricators and AFR-4 series filter/regulators as a combined unit	0.5
AB-4U		NITRA pneumatic modular assembly U-bracket (no mounting tangs), used to assemble individual NITRA AF-4 series filters, AR-4 series regulators, AL-4 series lubricators and AFR-4 series filter/regulators as a combined unit	0.4
AB-6T		NITRA pneumatic modular assembly and mounting T-bracket with two mounting tangs, used to assemble and mount individual NITRA AF-6 series filters, AR-6 series regulators, AL-6 series lubricators and AFR-6 series filter/regulators as a combined unit	1.3
AB-6L		NITRA pneumatic modular assembly and mounting L-bracket with one mounting tang, used to assemble and mount individual NITRA AF-6 series filters, AR-6 series regulators, AL-6 series lubricators and AFR-6 series filter/regulators as a combined unit	1.2
AB-6U		NITRA pneumatic modular assembly U-bracket (no mounting tangs), used to assemble individual NITRA AF-6 series filters, AR-6 series regulators, AL-6 series lubricators and AFR-6 series filter/regulators as a combined unit	0.8



Part No. AFE2-43



Part No. AFE2-41



Part No. AFE-24



Part No. AFE-35

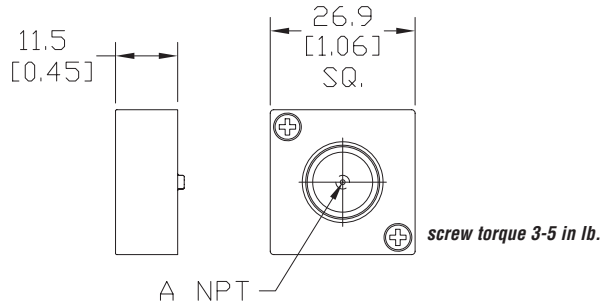
Pneumatic Air Preparation Accessories			
Part No.	Price	Description	Weight (lbs)
NITRA Gen 2 Particulate Filters			
AFE2-23		NITRA particulate filter element, replacement, 40 micron particles, high-density polyethylene (HDPE). For use with AF-2 series filters or AFR-2 series filter regulators.	0.01
AFE2-33		NITRA particulate filter element, replacement, 40 micron particles, high-density polyethylene (HDPE). For use with AF-3 series filters or AFR-3 series filter regulators.	0.01
AFE2-43		NITRA particulate filter element, replacement, 40 micron particles, high-density polyethylene (HDPE). For use with AF-4 series filters or AFR-4 series filter regulators.	0.01
AFE2-63		NITRA particulate filter element, replacement, 40 micron particles, high-density polyethylene (HDPE). For use with AF-6 series filters or AFR-6 series filter regulators.	0.04
AFE2-21		NITRA particulate filter element, replacement, 5 micron particles, high-density polyethylene (HDPE). For use with AF-2 series filters or AFR-2 series filter regulators.	0.01
AFE2-31		NITRA particulate filter element, replacement, 5 micron particles, high-density polyethylene (HDPE). For use with AF-3 series filters or AFR-3 series filter regulators.	0.01
AFE2-41		NITRA particulate filter element, replacement, 5 micron particles, high-density polyethylene (HDPE). For use with AF-4 series filters or AFR-4 series filter regulators.	0.01
AFE2-61		NITRA particulate filter element, replacement, 5 micron particles, high-density polyethylene (HDPE). For use with AF-6 series filters or AFR-6 series filter regulators.	0.04
NITRA Coalescing Filters			
AFE-24		NITRA coalescing oil removal filter element, replacement, 0.3 micron particles, borosilicate glass microfiber. For use with AC-2 series coalescing filters.	0.05
AFE-34		NITRA coalescing oil removal filter element, replacement, 0.3 micron particles, borosilicate glass microfiber. For use with AC-3 series coalescing filters.	0.05
AFE-44		NITRA coalescing oil removal filter element, replacement, 0.3 micron particles, borosilicate glass microfiber. For use with AC-4 series coalescing filters.	0.1
AFE-25		NITRA coalescing oil removal filter element, replacement, 0.01 micron particles, borosilicate glass microfiber. For use with AC-2 series coalescing filters.	0.04
AFE-35		NITRA coalescing oil removal filter element, replacement, 0.01 micron particles, borosilicate glass microfiber. For use with AC-3 series coalescing filters.	0.05
AFE-45		NITRA coalescing oil removal filter element, replacement, 0.01 micron particles, borosilicate glass microfiber. For use with AC-4 series coalescing filters.	0.1

Dimensions

mm [inches]

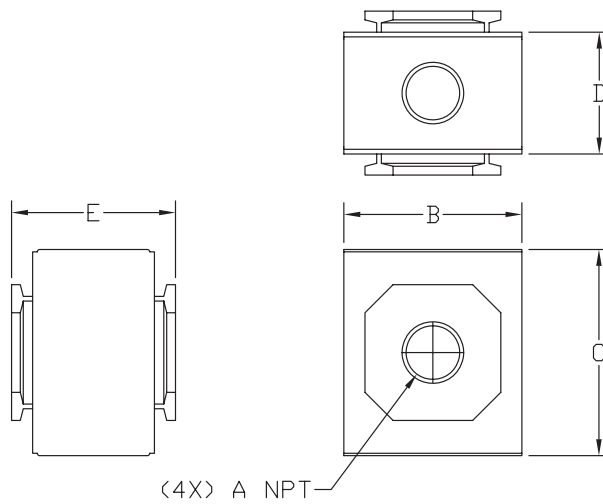
AGP-x

PART NO.	A NPT
APG-21	1/8
APG-32	1/4



ADB-x

PART NO.	A NPT	DIM B	DIM C	DIM D	DIM E
ADB-21	1/8	30.0 [1.18]	36.0 [1.42]	19.5 [0.77]	28.5 [1.12]
ADB-22	1/4	30.0 [1.18]	36.0 [1.42]	19.5 [0.77]	28.5 [1.12]
ADB-32	1/4	38.0 [1.50]	44.0 [1.73]	26.0 [1.02]	35.0 [1.38]
ADB-33	3/8	38.0 [1.50]	44.0 [1.73]	26.0 [1.02]	35.0 [1.38]
ADB-44	1/2	52.0 [2.05]	52.0 [2.05]	30.0 [1.18]	42.0 [1.65]



See our Web site
for complete Engineering drawings.

Dimensions

mm [inches]

AB-xT

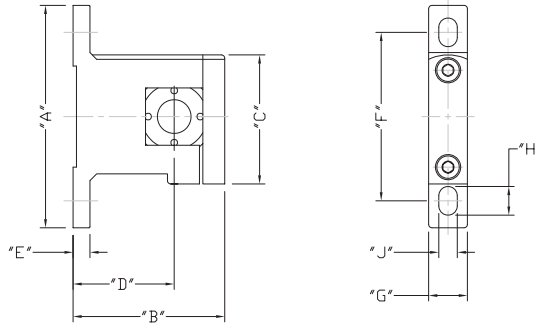


TABLE 1

PART NUMBER	DIM 'A'	DIM 'B'	DIM 'C'	DIM 'D'	DIM 'E'	DIM 'F'	DIM 'G'	DIM 'H'	DIM 'J'
AB-2T	66.0 [2.60]	45.0 [1.77]	38.3 [1.51]	30.0 [1.18]	5.0 [0.20]	50.0 [1.97]	11.5 [0.45]	8.5 [0.33]	5.5 [0.22]
AB-3T	88.0 [3.46]	60.5 [2.38]	49.3 [1.94]	41.5 [1.63]	7.0 [0.28]	70.0 [2.76]	12.5 [0.49]	9.0 [0.35]	6.5 [0.26]
AB-4T	104.0 [4.09]	76.0 [2.99]	58.5 [2.30]	50.0 [1.97]	7.0 [0.28]	80.0 [3.15]	15.5 [0.61]	12.0 [0.47]	8.6 [0.34]
AB-6T	128.0 [5.04]	104.0 [4.09]	79.5 [3.13]	70.0 [2.76]	10.0 [0.39]	100.0 [3.94]	19.5 [0.77]	16.0 [0.63]	11.0 [0.43]

AB-xL

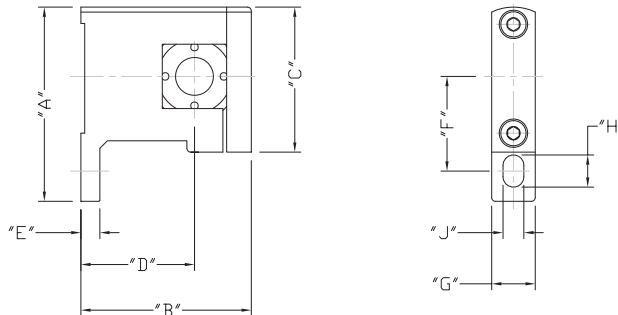


TABLE 1

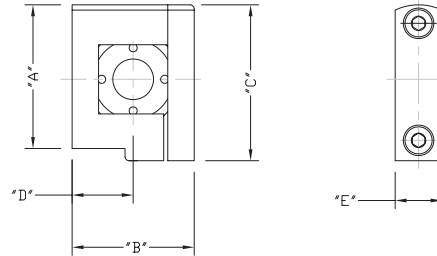
PART NUMBER	DIM 'A'	DIM 'B'	DIM 'C'	DIM 'D'	DIM 'E'	DIM 'F'	DIM 'G'	DIM 'H'	DIM 'J'
AB-2L	51.3 [2.02]	45.0 [1.77]	38.3 [1.51]	30.0 [1.18]	5.0 [0.20]	25.0 [0.98]	11.5 [0.45]	8.5 [0.33]	5.5 [0.22]
AB-3L	68.6 [2.70]	60.5 [2.38]	49.3 [1.94]	41.5 [1.63]	7.0 [0.28]	35.0 [1.38]	12.5 [0.49]	9.0 [0.35]	6.5 [0.26]
AB-4L	79.5 [3.13]	76.0 [2.99]	58.5 [2.30]	50.0 [1.97]	7.0 [0.28]	40.0 [1.57]	15.5 [0.61]	12.0 [0.47]	8.6 [0.34]
AB-6L	103.5 [4.07]	104.0 [4.09]	79.5 [3.13]	70.0 [2.76]	10.0 [0.39]	50.0 [1.97]	19.5 [0.77]	16.0 [0.63]	11.0 [0.43]

See our Web site [www.nitra.com](#) for complete Engineering drawings.

Dimensions

mm [inches]

AB-xU



PART NUMBER	DIM 'A'	DIM 'B'	DIM 'C'	DIM 'D'	DIM 'E'
AB-2U	35.5 [1.39]	30.0 [1.18]	38.3 [1.51]	15.0 [0.59]	11.5 [0.45]
AB-3U	43.8 [1.72]	38.0 [1.50]	49.3 [1.94]	19.5 [0.75]	12.5 [0.49]
AB-4U	52.5 [2.07]	52.0 [2.05]	58.5 [2.30]	26.0 [1.02]	15.5 [0.61]
AB-6U	76.5 [3.01]	68.0 [2.68]	79.5 [3.13]	34.0 [1.34]	19.5 [0.77]

See our Web site [_____](#)
for complete Engineering drawings.