



Pneumatic Air Preparation - AF Series Filters



Modular Assembly Example

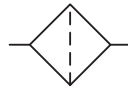
NITRA[®] pneumatic particulate and moisture separation air filters are available with 1/8", 1/4", 3/8", 1/2", 3/4" or 1" NPT female port sizes to meet a broad range of pneumatic air supply filtration applications. Available with either a manual, semi-automatic, or automatic drain. All-metal bowls with sight gauge are available on all sizes. Polycarbonate bowls are available on 2xx, 3xx and 4xx sizes, with metal bowl guards included on 3xx and 4xx sizes. Replaceable 40-micron filter elements are standard. An optional 5-micron filter element (purchased separately and customer installable) is available when stricter filtration is required. Provided with a mounting bracket for stand-alone applications, the modular design also enables easy field assembly for combining with NITRA pneumatic regulators and lubricators (using modular assembly brackets purchased separately).

Features

- 1/8", 1/4", 3/8", 1/2", 3/4" and 1" NPT female port sizes
- 40-micron replaceable filter element standard; for stricter filtration an optional 5-micron filter element purchased separately is easily customer installable
- All-metal bowls with sight gauge available on all sizes. Polycarbonate bowls available on 2xx, 3xx and 4xx sizes, with metal bowl guards included on 3xx and 4xx sizes.
- Manual, semi-automatic and automatic drains available
- Mounting bracket provided for stand-alone applications
- Modular design enables easy field assembly for combining with NITRA regulators and lubricators
- 2-year warranty



Mounting bracket included.



Air Filter



See for a wide variety of fitting options

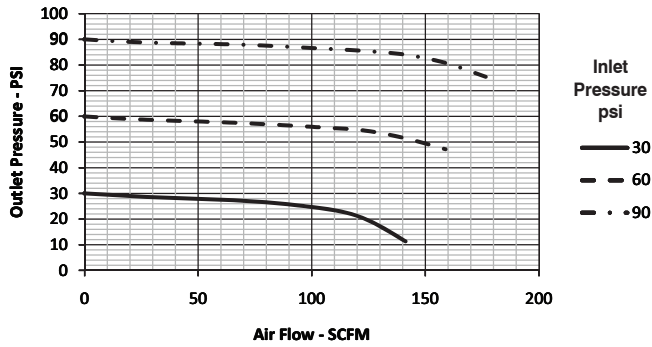
AF Series Filters											
Part No.	Price	Weight (lbs)	Port Size (FNPT)	Drain Bowl	Drain Type	Fluid	Temperature	Filtering Grade	Operating Pressure	Maximum Pressure	Proof Pressure
AF-213-MD		0.5	1/8"	17cc Metal with sight gauge	Manual	Air	23-140°F (-4-60°C)	40μ (5μ element can be ordered separately and field installed)	20-130psi (0.14-0.90MPa) (1.4-9.0 bar)	130psi (0.90MPa) (9.0 bar)	215psi (1.5MPa) (15 bar)
AF-213-D		0.5			Semi-automatic						



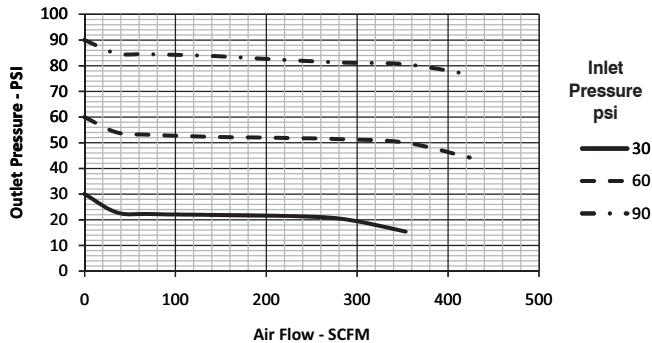
Pneumatic Air Preparation - AF Series Filters

AF Series Filters Cont.											
Part No.	Price	Weight (lbs)	Port Size (FNPT)	Drain Bowl	Drain Type	Fluid	Temperature	Filtering Grade	Operating Pressure	Maximum Pressure	Proof Pressure
AF-333-MD		1.0	3/8"	40cc Metal with sight gauge	Manual	Air	23-140°F (-4-60°C)	40μ (5μ element can be ordered separately and field installed)	20-130psi (0.14-0.90MPa) (1.4-9.0 bar)	130psi (0.90MPa) (9.0 bar)	215psi (1.5MPa) (15 bar)
AF-683		4.1		230cc Metal with sight gauge	Semi-automatic						

Performance Charts



AF-3x



AF-6x



Pneumatic Air Preparation - AF Series Filters

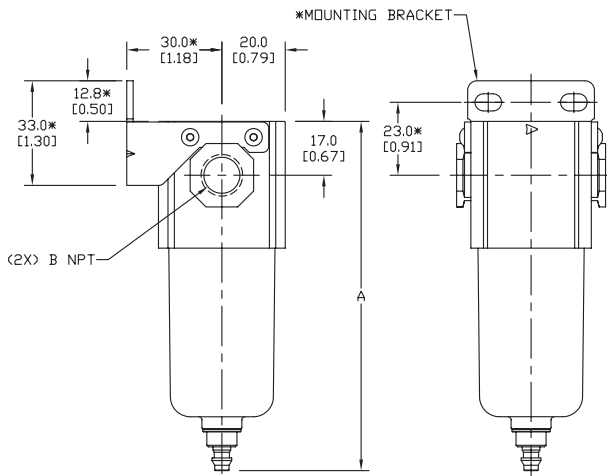
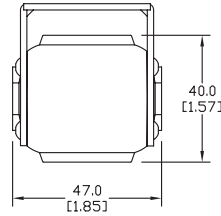
Dimensions

mm [inches]

AF-2x

*MOUNTING BRACKET INSTALLATION OPTIONAL

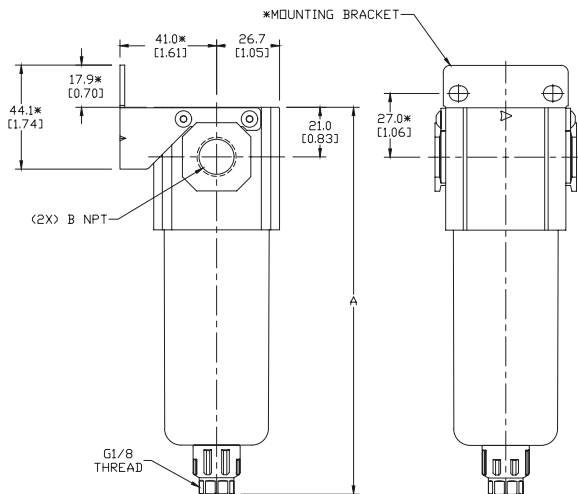
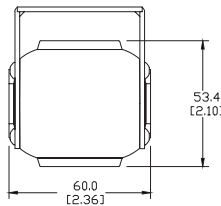
PART NO.	DIM A	B NPT
AF-213-D	124.5 [4.9]	1/8
AF-213-MD	125.5 [4.94]	1/8



AF-3x

*MOUNTING BRACKET INSTALLATION OPTIONAL

PART NO.	DIM A	B NPT
AF-323-A	164.0 [6.46]	1/4
AF-323-AD	162.8 [6.41]	
AF-323-D	162.8 [6.41]	
AF-323-M	164.0 [6.46]	
AF-323-MD	162.8 [6.41]	3/8
AF-333-MD	162.8 [6.41]	



Note: Unit dimensions are the same for listed models; port NPT varies based on model.

See our Web site for complete Engineering drawings.



Pneumatic Air Preparation - AF Series Filters

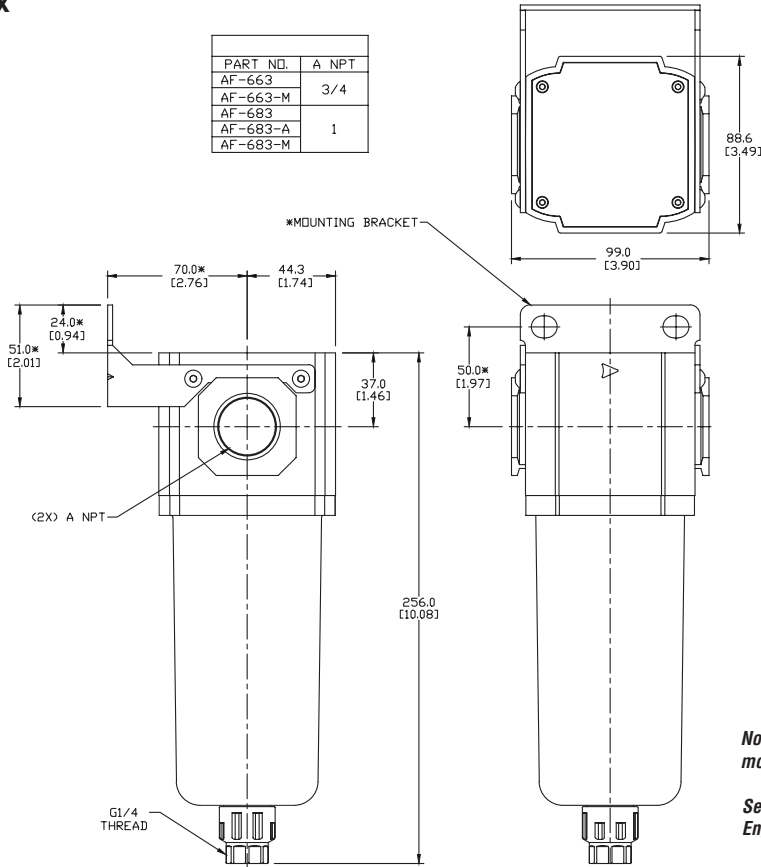
Dimensions

mm [inches]

AF-6x

*MOUNTING BRACKET INSTALLATION OPTIONAL

PART NO.	A NPT
AF-663	3/4
AF-663-M	3/4
AF-683	1
AF-683-A	1
AF-683-M	1



Note: Unit dimensions are the same for listed models; port NPT varies based on model.

See our Web site [for complete Engineering drawings.](#)



Part No. AGP-21



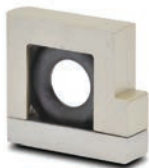
Part No. ADB-21



Part No. AB-4T



Part No. AB-4L



Part No. AB-4U

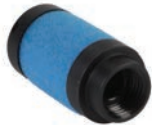
Pneumatic Air Preparation Accessories			
Part No.	Price	Description	Weight (lbs)
AGP-21		NITRA pneumatic gauge port adapter plate, 1/8 inch NPT female port, with mounting screws. Easy field assembly with NITRA pneumatic AR-2 series regulators and AFR-2 series filter / regulators.	0.03
AGP-32		NITRA pneumatic gauge port adapter plate, 1/4 inch NPT female port, with mounting screws. Easy field assembly with NITRA pneumatic AR-3, AR-4 and AR-6 series regulators and AFR-3, AFR-4 and AFR-6 series filter / regulators.	0.04
ADB-21		NITRA pneumatic distribution block with four (4) 1/8 inch NPT female ports. Modular design enables easy field assembly with NITRA pneumatic AF-21 series filters, AR-21 series regulators, AL-21 series lubricators and AFR-21 series filter / regulators.	0.1
ADB-22		NITRA pneumatic distribution block with four (4) 1/4 inch NPT female ports. Modular design enables easy field assembly with NITRA pneumatic AF-22 series filters, AR-22 series regulators, AL-22 series lubricators and AFR-22 series filter / regulators.	0.1
ADB-32		NITRA pneumatic distribution block with four (4) 1/4 inch NPT female ports. Modular design enables easy field assembly with NITRA pneumatic AF-32 series filters, AR-32 series regulators, AL-32 series lubricators and AFR-32 series filter / regulators.	0.2
ADB-33		NITRA pneumatic distribution block with four (4) 3/8 inch NPT female ports. Modular design enables easy field assembly with NITRA pneumatic AF-33 series filters, AR-33 series regulators, AL-33 series lubricators and AFR-33 series filter / regulators.	0.2
ADB-44		NITRA pneumatic distribution block with four (4) 1/2 inch NPT female ports. Modular design enables easy field assembly with NITRA pneumatic AF-44 series filters, AR-44 series regulators and AFR-44 series filter / regulators.	0.4
AB-2T		NITRA pneumatic modular assembly and mounting T-bracket with two mounting tangs, used to assemble and mount individual NITRA AF-2 series filters, AR-2 series regulators, AL-2 series lubricators and AFR-2 series filter/regulators as a combined unit	0.2
AB-2L		NITRA pneumatic modular assembly and mounting L-bracket with one mounting tang, used to assemble and mount individual NITRA AF-2 series filters, AR-2 series regulators, AL-2 series lubricators and AFR-2 series filter/regulators as a combined unit	0.2
AB-2U		NITRA pneumatic modular assembly U-bracket (no mounting tangs), used to assemble individual NITRA AF-2 series filters, AR-2 series regulators, AL-2 series lubricators and AFR-2 series filter/regulators as a combined unit	0.1
AB-3T		NITRA pneumatic modular assembly and mounting T-bracket with two mounting tangs, used to assemble and mount individual NITRA AF-3 series filters, AR-3 series regulators, AL-3 series lubricators and AFR-3 series filter/regulators as a combined unit	0.3
AB-3L		NITRA pneumatic modular assembly and mounting L-bracket with one mounting tang, used to assemble and mount individual NITRA AF-3 series filters, AR-3 series regulators, AL-3 series lubricators and AFR-3 series filter/regulators as a combined unit	0.3
AB-3U		NITRA pneumatic modular assembly U-bracket (no mounting tangs), used to assemble individual NITRA AF-3 series filters, AR-3 series regulators, AL-3 series lubricators and AFR-3 series filter/regulators as a combined unit	0.2
AB-4T		NITRA pneumatic modular assembly and mounting T-bracket with two mounting tangs, used to assemble and mount individual NITRA AF-4 series filters, AR-4 series regulators, AL-4 series lubricators and AFR-4 series filter/regulators as a combined unit	0.5
AB-4L		NITRA pneumatic modular assembly and mounting L-bracket with one mounting tang, used to assemble and mount individual NITRA AF-4 series filters, AR-4 series regulators, AL-4 series lubricators and AFR-4 series filter/regulators as a combined unit	0.5
AB-4U		NITRA pneumatic modular assembly U-bracket (no mounting tangs), used to assemble individual NITRA AF-4 series filters, AR-4 series regulators, AL-4 series lubricators and AFR-4 series filter/regulators as a combined unit	0.4
AB-6T		NITRA pneumatic modular assembly and mounting T-bracket with two mounting tangs, used to assemble and mount individual NITRA AF-6 series filters, AR-6 series regulators, AL-6 series lubricators and AFR-6 series filter/regulators as a combined unit	1.3
AB-6L		NITRA pneumatic modular assembly and mounting L-bracket with one mounting tang, used to assemble and mount individual NITRA AF-6 series filters, AR-6 series regulators, AL-6 series lubricators and AFR-6 series filter/regulators as a combined unit	1.2
AB-6U		NITRA pneumatic modular assembly U-bracket (no mounting tangs), used to assemble individual NITRA AF-6 series filters, AR-6 series regulators, AL-6 series lubricators and AFR-6 series filter/regulators as a combined unit	0.8



Part No. AFE2-43



Part No. AFE2-41



Part No. AFE-24



Part No. AFE-35

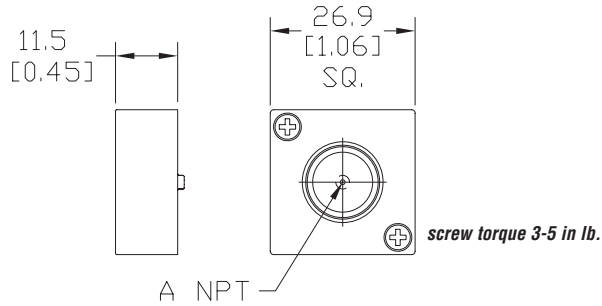
Pneumatic Air Preparation Accessories			
Part No.	Price	Description	Weight (lbs)
NITRA Gen 2 Particulate Filters			
AFE2-23		NITRA particulate filter element, replacement, 40 micron particles, high-density polyethylene (HDPE). For use with AF-2 series filters or AFR-2 series filter regulators.	0.01
AFE2-33		NITRA particulate filter element, replacement, 40 micron particles, high-density polyethylene (HDPE). For use with AF-3 series filters or AFR-3 series filter regulators.	0.01
AFE2-43		NITRA particulate filter element, replacement, 40 micron particles, high-density polyethylene (HDPE). For use with AF-4 series filters or AFR-4 series filter regulators.	0.01
AFE2-63		NITRA particulate filter element, replacement, 40 micron particles, high-density polyethylene (HDPE). For use with AF-6 series filters or AFR-6 series filter regulators.	0.04
AFE2-21		NITRA particulate filter element, replacement, 5 micron particles, high-density polyethylene (HDPE). For use with AF-2 series filters or AFR-2 series filter regulators.	0.01
AFE2-31		NITRA particulate filter element, replacement, 5 micron particles, high-density polyethylene (HDPE). For use with AF-3 series filters or AFR-3 series filter regulators.	0.01
AFE2-41		NITRA particulate filter element, replacement, 5 micron particles, high-density polyethylene (HDPE). For use with AF-4 series filters or AFR-4 series filter regulators.	0.01
AFE2-61		NITRA particulate filter element, replacement, 5 micron particles, high-density polyethylene (HDPE). For use with AF-6 series filters or AFR-6 series filter regulators.	0.04
NITRA Coalescing Filters			
AFE-24		NITRA coalescing oil removal filter element, replacement, 0.3 micron particles, borosilicate glass microfiber. For use with AC-2 series coalescing filters.	0.05
AFE-34		NITRA coalescing oil removal filter element, replacement, 0.3 micron particles, borosilicate glass microfiber. For use with AC-3 series coalescing filters.	0.05
AFE-44		NITRA coalescing oil removal filter element, replacement, 0.3 micron particles, borosilicate glass microfiber. For use with AC-4 series coalescing filters.	0.1
AFE-25		NITRA coalescing oil removal filter element, replacement, 0.01 micron particles, borosilicate glass microfiber. For use with AC-2 series coalescing filters.	0.04
AFE-35		NITRA coalescing oil removal filter element, replacement, 0.01 micron particles, borosilicate glass microfiber. For use with AC-3 series coalescing filters.	0.05
AFE-45		NITRA coalescing oil removal filter element, replacement, 0.01 micron particles, borosilicate glass microfiber. For use with AC-4 series coalescing filters.	0.1

Dimensions

mm [inches]

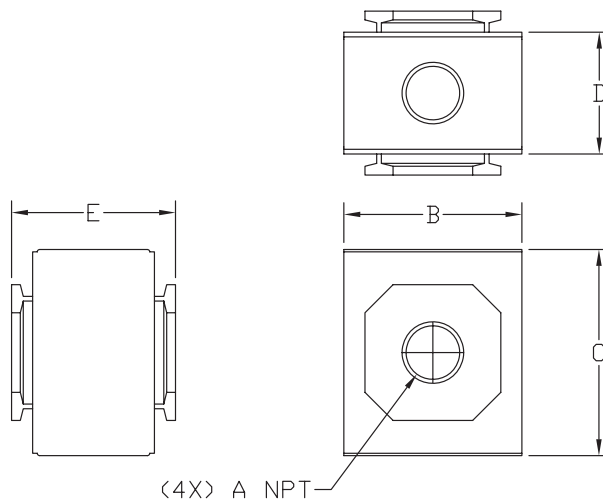
AGP-x

PART NO.	A NPT
APG-21	1/8
APG-32	1/4



ADB-x

PART NO.	A NPT	DIM B	DIM C	DIM D	DIM E
ADB-21	1/8	30.0 [1.18]	36.0 [1.42]	19.5 [0.77]	28.5 [1.12]
ADB-22	1/4	30.0 [1.18]	36.0 [1.42]	19.5 [0.77]	28.5 [1.12]
ADB-32	1/4	38.0 [1.50]	44.0 [1.73]	26.0 [1.02]	35.0 [1.38]
ADB-33	3/8	38.0 [1.50]	44.0 [1.73]	26.0 [1.02]	35.0 [1.38]
ADB-44	1/2	52.0 [2.05]	52.0 [2.05]	30.0 [1.18]	42.0 [1.65]



See our Web site [www.nitra.com](#)
for complete Engineering drawings.

Dimensions

mm [inches]

AB-xT

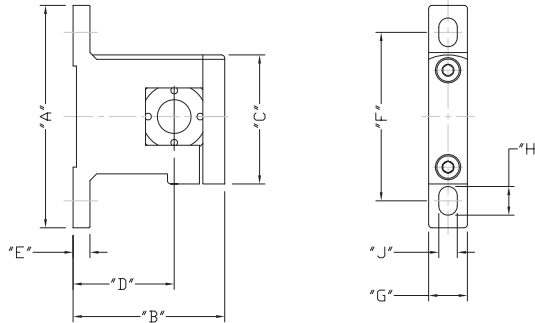


TABLE 1

PART NUMBER	DIM 'A'	DIM 'B'	DIM 'C'	DIM 'D'	DIM 'E'	DIM 'F'	DIM 'G'	DIM 'H'	DIM 'J'
AB-2T	66.0 [2.60]	45.0 [1.77]	38.3 [1.51]	30.0 [1.18]	5.0 [0.20]	50.0 [1.97]	11.5 [0.45]	8.5 [0.33]	5.5 [0.22]
AB-3T	88.0 [3.46]	60.5 [2.38]	49.3 [1.94]	41.5 [1.63]	7.0 [0.28]	70.0 [2.76]	12.5 [0.49]	9.0 [0.35]	6.5 [0.26]
AB-4T	104.0 [4.09]	76.0 [2.99]	58.5 [2.30]	50.0 [1.97]	7.0 [0.28]	80.0 [3.15]	15.5 [0.61]	12.0 [0.47]	8.6 [0.34]
AB-6T	128.0 [5.04]	104.0 [4.09]	79.5 [3.13]	70.0 [2.76]	10.0 [0.39]	100.0 [3.94]	19.5 [0.77]	16.0 [0.63]	11.0 [0.43]

AB-xL

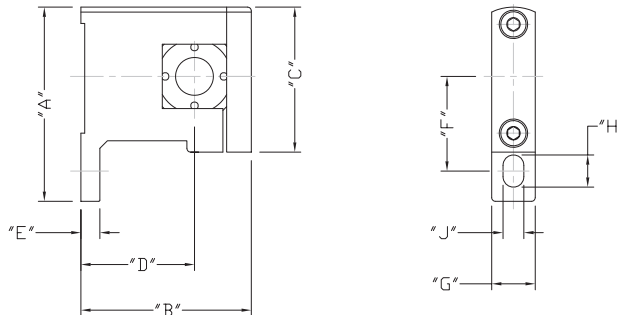


TABLE 1

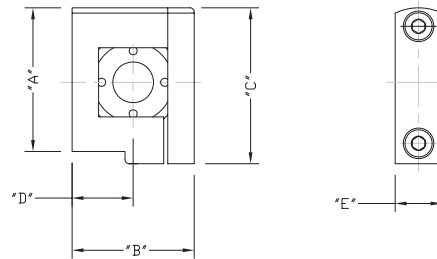
PART NUMBER	DIM 'A'	DIM 'B'	DIM 'C'	DIM 'D'	DIM 'E'	DIM 'F'	DIM 'G'	DIM 'H'	DIM 'J'
AB-2L	51.3 [2.02]	45.0 [1.77]	38.3 [1.51]	30.0 [1.18]	5.0 [0.20]	25.0 [0.98]	11.5 [0.45]	8.5 [0.33]	5.5 [0.22]
AB-3L	68.6 [2.70]	60.5 [2.38]	49.3 [1.94]	41.5 [1.63]	7.0 [0.28]	35.0 [1.38]	12.5 [0.49]	9.0 [0.35]	6.5 [0.26]
AB-4L	79.5 [3.13]	76.0 [2.99]	58.5 [2.30]	50.0 [1.97]	7.0 [0.28]	40.0 [1.57]	15.5 [0.61]	12.0 [0.47]	8.6 [0.34]
AB-6L	103.5 [4.07]	104.0 [4.09]	79.5 [3.13]	70.0 [2.76]	10.0 [0.39]	50.0 [1.97]	19.5 [0.77]	16.0 [0.63]	11.0 [0.43]

See our Web site [www.nitra.com](#) for complete Engineering drawings.

Dimensions

mm [inches]

AB-xU



PART NUMBER	DIM 'A'	DIM 'B'	DIM 'C'	DIM 'D'	DIM 'E'
AB-2U	35.5 [1.39]	30.0 [1.18]	38.3 [1.51]	15.0 [0.59]	11.5 [0.45]
AB-3U	43.8 [1.72]	38.0 [1.50]	49.3 [1.94]	19.5 [0.75]	12.5 [0.49]
AB-4U	52.5 [2.07]	52.0 [2.05]	58.5 [2.30]	26.0 [1.02]	15.5 [0.61]
AB-6U	76.5 [3.01]	68.0 [2.68]	79.5 [3.13]	34.0 [1.34]	19.5 [0.77]

See our Web site [_____](#)
for complete Engineering drawings.