

Pneumatic Air Preparation - AF Series Filters



AF-663



AF-323



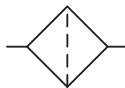
AF-213



Modular Assembly Example



Mounting bracket included.



Air Filter

NITRA™ pneumatic particulate and moisture separation air filters are available with 1/8", 1/4", 3/8", 1/2", 3/4" or 1" NPT female port sizes to meet a broad range of pneumatic air supply filtration applications. Available with either a semi-automatic or automatic drain, polycarbonate bowls are standard on 1/8" through 1/2" NPT sizes, with metal bowl guards provided on 1/4" through 1/2" NPT sizes. The 3/4" and 1" NPT sizes feature all-metal bowl construction with sight gauges. Replaceable 40 micron filter elements are standard. An optional 5 micron filter element (purchased separately and customer installable) is available when stricter filtration is required. Provided with a mounting bracket for stand-alone applications, the modular design also enables easy field assembly for combining with NITRA pneumatic regulators and lubricators (using modular assembly brackets purchased separately).

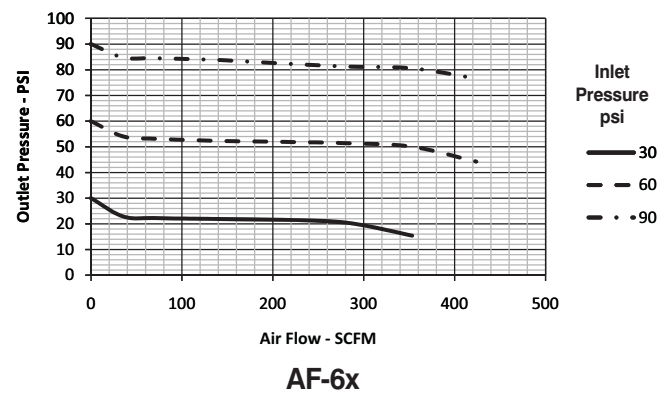
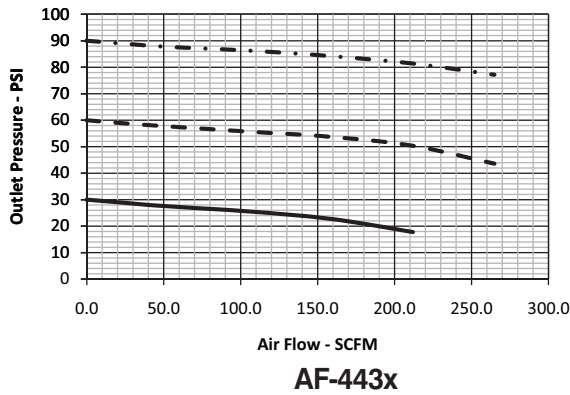
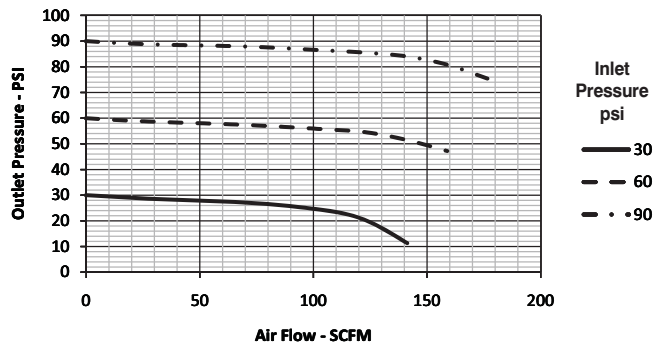
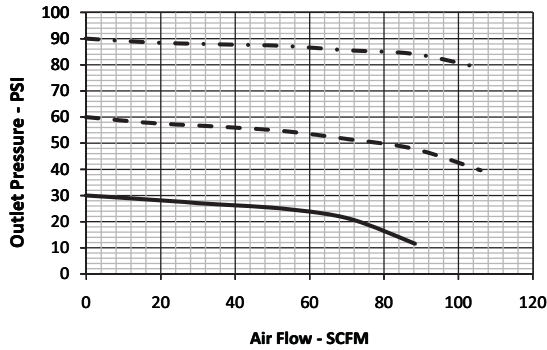
Features

- 1/8", 1/4", 3/8", 1/2", 3/4" and 1" NPT female port sizes
- 40 micron replaceable filter element standard; for stricter filtration an optional 5 micron filter element purchased separately is easily customer installable
- Polycarbonate bowls standard with metal bowl guards (except 1/8" NPT size); 3/4" and 1" sizes provided with all-metal bowl construction with sight gauge
- Semi-automatic or automatic drains available
- Mounting bracket provided for stand-alone applications
- Modular design enables easy field assembly for combining with NITRA regulators and lubricators
- 2 year warranty



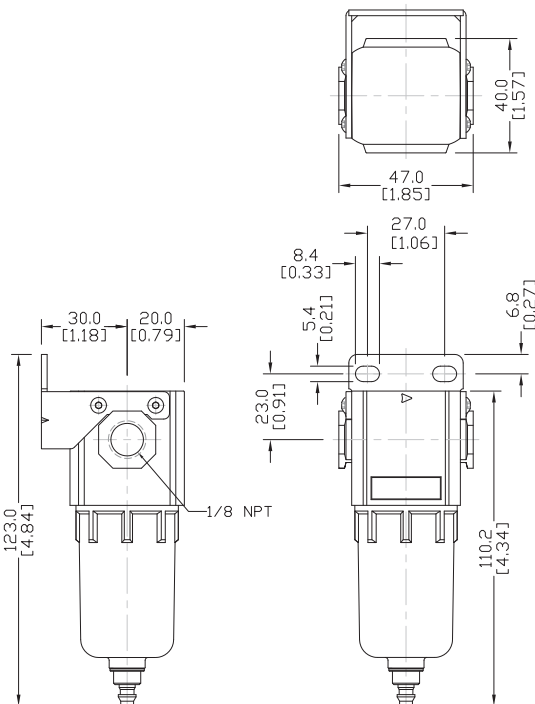
AF Series Filters										
Part No.	Price	Weight (lbs)	Port Size	Fluid	Temperature	Filtering Grade	Operating Pressure	Proof Pressure	Drain Bowl	Drain Type
AF-213	<-->	0.3	1/8"	Air	23-140°F (-4-60°C)	40µ (5µ element can be ordered separately and field installed)	20-115psi (0.15-0.8MPa) (1.5-8.0 bar)	215psi (1.5MPa) (15.0 bar)	10cc Polycarbonate	Semi-automatic
AF-323	<-->	0.8	1/4"						40cc Polycarbonate with metal bowl guard	Automatic
AF-323-A	<-->	0.8							40cc Polycarbonate with metal bowl guard	Semi-automatic
AF-333	<-->	0.8	3/8"						40cc Polycarbonate with metal bowl guard	Automatic
AF-333-A	<-->	0.8							40cc Polycarbonate with metal bowl guard	Semi-automatic
AF-443	<-->	1.5	1/2"						80cc Polycarbonate with metal bowl guard	Semi-automatic
AF-443-A	<-->	1.5							80cc Polycarbonate with metal bowl guard	Automatic
AF-663	<-->	3.1	3/4"						230cc Metal with sight glass	Semi-automatic
AF-663-A	<-->	3.1								Automatic
AF-683	<-->	3.1	1"							Semi-automatic
AF-683-A	<-->	3.1		Automatic						

Performance Charts



Dimensions

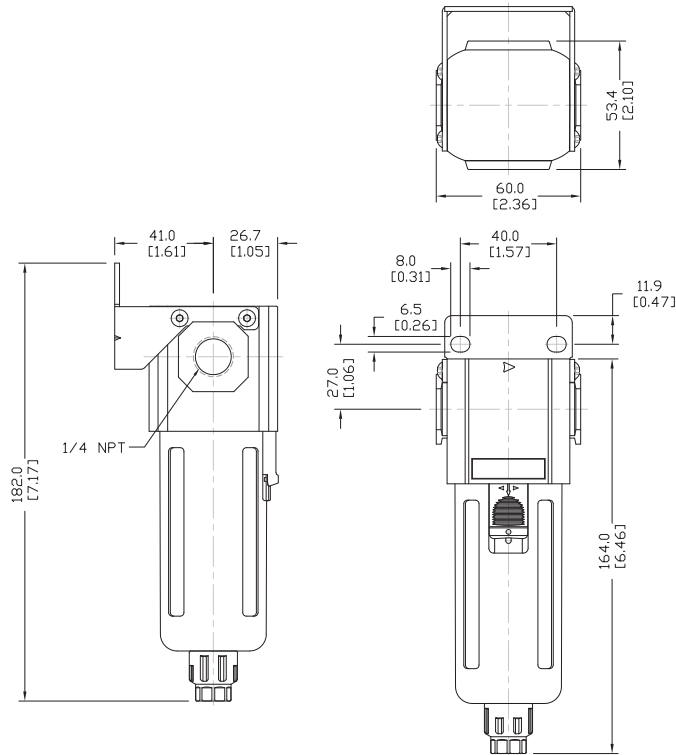
AF-213



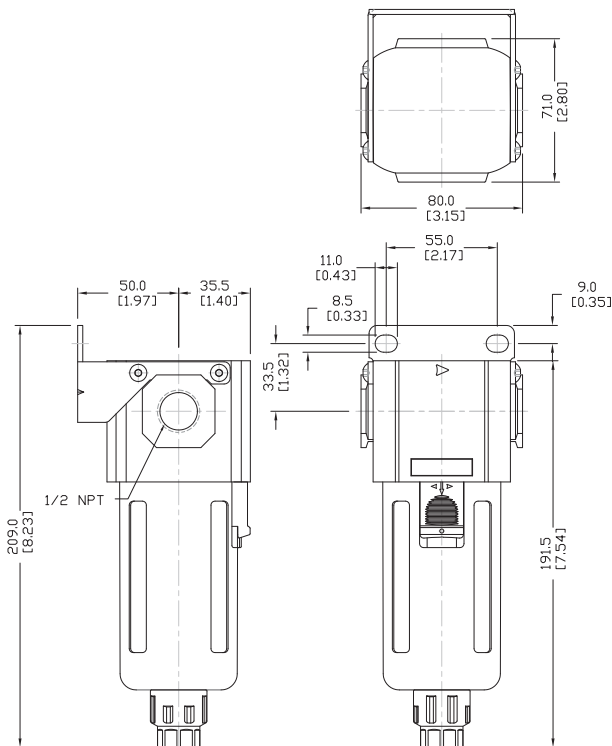
Dimensions in mm [inches]

Dimensions

AF-3x



AF-443x



Note: Unit dimensions are the same for listed models; port NPT varies based on model. See specification tables for port NPT size.

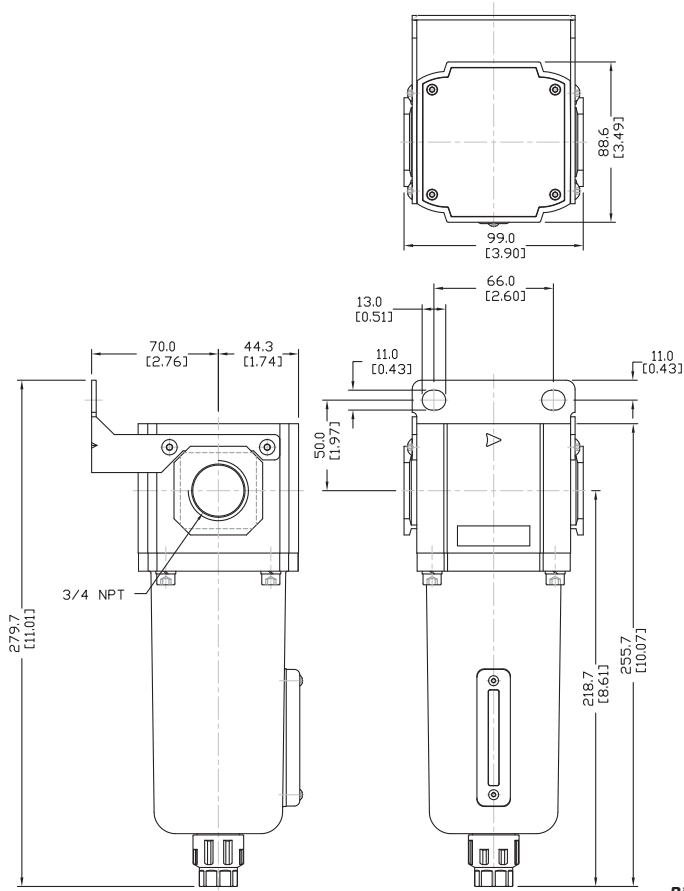
Dimensions in mm [inches]



Pneumatic Air Preparation - AF Series Filters

Dimensions

AF-6x



Note: Unit dimensions are the same for listed models; port NPT varies based on model. See specification tables for port NPT size.

Dimensions in mm (inches)

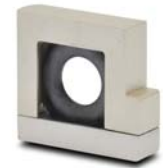
Pneumatic Air Preparation Accessories			
Part No.	Price	Description	Weight (lbs)
AB-2T	<--->	NITRA (tm) pneumatic modular assembly and mounting T-bracket with two mounting tangs, used to assemble and mount individual NITRA AF-2 series filters, AR-2 series regulators, AL-2 series lubricators and AFR-2 series filter/regulators as a combined unit	0.2
AB-2L	<--->	NITRA (tm) pneumatic modular assembly and mounting L-bracket with one mounting tang, used to assemble and mount individual NITRA AF-2 series filters, AR-2 series regulators, AL-2 series lubricators and AFR-2 series filter/regulators as a combined unit	0.2
AB-2U	<--->	NITRA (tm) pneumatic modular assembly U-bracket (no mounting tangs), used to assemble individual NITRA AF-2 series filters, AR-2 series regulators, AL-2 series lubricators and AFR-2 series filter/regulators as a combined unit	0.1
AB-3T	<--->	NITRA (tm) pneumatic modular assembly and mounting T-bracket with two mounting tangs, used to assemble and mount individual NITRA AF-3 series filters, AR-3 series regulators, AL-3 series lubricators and AFR-3 series filter/regulators as a combined unit	0.3
AB-3L	<--->	NITRA (tm) pneumatic modular assembly and mounting L-bracket with one mounting tang, used to assemble and mount individual NITRA AF-3 series filters, AR-3 series regulators, AL-3 series lubricators and AFR-3 series filter/regulators as a combined unit	0.3
AB-3U	<--->	NITRA (tm) pneumatic modular assembly U-bracket (no mounting tangs), used to assemble individual NITRA AF-3 series filters, AR-3 series regulators, AL-3 series lubricators and AFR-3 series filter/regulators as a combined unit	0.2
AB-4T	<--->	NITRA (tm) pneumatic modular assembly and mounting T-bracket with two mounting tangs, used to assemble and mount individual NITRA AF-4 series filters, AR-4 series regulators, AL-4 series lubricators and AFR-4 series filter/regulators as a combined unit	0.5
AB-4L	<--->	NITRA (tm) pneumatic modular assembly and mounting L-bracket with one mounting tang, used to assemble and mount individual NITRA AF-4 series filters, AR-4 series regulators, AL-4 series lubricators and AFR-4 series filter/regulators as a combined unit	0.5
AB-4U	<--->	NITRA (tm) pneumatic modular assembly U-bracket (no mounting tangs), used to assemble individual NITRA AF-4 series filters, AR-4 series regulators, AL-4 series lubricators and AFR-4 series filter/regulators as a combined unit	0.4
AB-6T	<--->	NITRA (tm) pneumatic modular assembly and mounting T-bracket with two mounting tangs, used to assemble and mount individual NITRA AF-6 series filters, AR-6 series regulators, AL-6 series lubricators and AFR-6 series filter/regulators as a combined unit	1.3
AB-6L	<--->	NITRA (tm) pneumatic modular assembly and mounting L-bracket with one mounting tang, used to assemble and mount individual NITRA AF-6 series filters, AR-6 series regulators, AL-6 series lubricators and AFR-6 series filter/regulators as a combined unit	1.2
AB-6U	<--->	NITRA (tm) pneumatic modular assembly U-bracket (no mounting tangs), used to assemble individual NITRA AF-6 series filters, AR-6 series regulators, AL-6 series lubricators and AFR-6 series filter/regulators as a combined unit	0.8
AFE-23	<--->	NITRA (tm) replacement filter element, tin-copper, 40 micron, for AF-2 series filters or AFR-2 series filter/regulators	0.1
AFE-33	<--->	NITRA (tm) replacement filter element, tin-copper, 40 micron, for AF-3 series filters or AFR-3 series filter/regulators	0.1
AFE-43	<--->	NITRA (tm) replacement filter element, tin-copper, 40 micron, for AF-4 series filters or AFR-4 series filter/regulators	0.1
AFE-63	<--->	NITRA (tm) replacement filter element, tin-copper, 40 micron, for AF-6 series filters or AFR-6 series filter/regulators	0.4
AFE-21	<--->	NITRA (tm) replacement filter element, fiber, 5 micron, for AF-2 series filters or AFR-2 series filter/regulators	0.1
AFE-31	<--->	NITRA (tm) replacement filter element, fiber, 5 micron, for AF-3 series filters or AFR-3 series filter/regulators	0.1
AFE-41	<--->	NITRA (tm) replacement filter element, fiber, 5 micron, for AF-4 series filters or AFR-4 series filter/regulators	0.1
AFE-61	<--->	NITRA (tm) replacement filter element, tin-copper, 5 micron, for AF-6 series filters or AFR-6 series filter/regulators	0.4



Part No. AB-4T



Part No. AB-4L



Part No. AB-4U



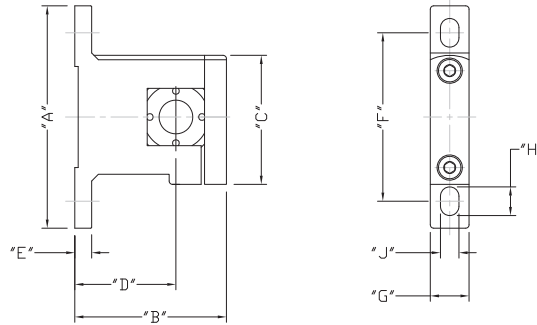
Part No. AFE-43



Part No. AFE-41

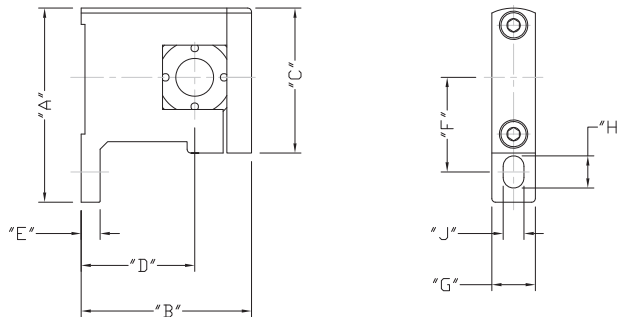
Dimensions

AB-xT



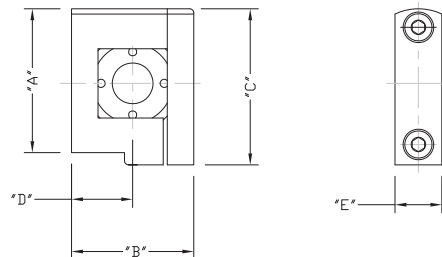
PART NUMBER	DIM "A"	DIM "B"	DIM "C"	DIM "D"	DIM "E"	DIM "F"	DIM "G"	DIM "H"	DIM "J"
AB-2T	66.0 [2.60]	45.0 [1.77]	38.3 [1.51]	30.0 [1.18]	5.0 [0.20]	50.0 [1.97]	11.5 [0.45]	8.5 [0.33]	5.5 [0.22]
AB-3T	88.0 [3.46]	60.5 [2.38]	49.3 [1.94]	41.5 [1.63]	7.0 [0.28]	70.0 [2.76]	12.5 [0.49]	9.0 [0.35]	6.5 [0.26]
AB-4T	104.0 [4.09]	76.0 [2.99]	58.5 [2.30]	50.0 [1.97]	7.0 [0.28]	80.0 [3.15]	15.5 [0.61]	12.0 [0.47]	8.6 [0.34]
AB-6T	128.0 [5.04]	104.0 [4.09]	79.5 [3.13]	70.0 [2.76]	10.0 [0.39]	100.0 [3.94]	19.5 [0.77]	16.0 [0.63]	11.0 [0.43]

AB-xL



PART NUMBER	DIM "A"	DIM "B"	DIM "C"	DIM "D"	DIM "E"	DIM "F"	DIM "G"	DIM "H"	DIM "J"
AB-2L	51.3 [2.02]	45.0 [1.77]	38.3 [1.51]	30.0 [1.18]	5.0 [0.20]	25.0 [0.98]	11.5 [0.45]	8.5 [0.33]	5.5 [0.22]
AB-3L	68.6 [2.70]	60.5 [2.38]	49.3 [1.94]	41.5 [1.63]	7.0 [0.28]	35.0 [1.38]	12.5 [0.49]	9.0 [0.35]	6.5 [0.26]
AB-4L	79.5 [3.13]	76.0 [2.99]	58.5 [2.30]	50.0 [1.97]	7.0 [0.28]	40.0 [1.57]	15.5 [0.61]	12.0 [0.47]	8.6 [0.34]
AB-6L	103.5 [4.07]	104.0 [4.09]	79.5 [3.13]	70.0 [2.76]	10.0 [0.39]	50.0 [1.97]	19.5 [0.77]	16.0 [0.63]	11.0 [0.43]

AB-xU



PART NUMBER	DIM "A"	DIM "B"	DIM "C"	DIM "D"	DIM "E"
AB-2U	35.5 [1.39]	30.0 [1.18]	38.3 [1.51]	15.0 [0.59]	11.5 [0.45]
AB-3U	43.8 [1.72]	38.0 [1.50]	49.3 [1.94]	19.5 [0.75]	12.5 [0.49]
AB-4U	52.5 [2.07]	52.0 [2.05]	58.5 [2.30]	26.0 [1.02]	15.5 [0.61]
AB-6U	76.5 [3.01]	68.0 [2.68]	79.5 [3.13]	34.0 [1.34]	19.5 [0.77]

Dimensions in mm [inches]

Company Info.

PLCs

Field I/O

Software

C-more & other HMI

AC Drives

AC Motors

Power Transmiss.

Steppers/ Servos

Motor Controls

Proximity Sensors

Photo Sensors

Limit Switches

Encoders

Current Sensors

Pressure Sensors

Temp. Sensors

Pushbuttons/ Lights

Process

Relays/ Timers

Comm.

Terminal Blocks & Wiring

Power

Circuit Protection

Enclosures

Tools

Pneumatics

Appendix

Part Index