



Pneumatic Air Preparation - AF2 Series Filters



Modular Assembly Example

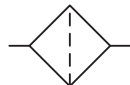
NITRA® pneumatic particulate and moisture separation air filters are available with 1/8", 1/4", 3/8", 1/2", 3/4" or 1" NPT female port sizes to meet a broad range of pneumatic air supply filtration applications. Available with either a manual / semi-automatic or automatic drain. All-metal bowls with sight gauge are available in all sizes. Polycarbonate bowls with metal bowl guards are available in 2xx, 3xx and 4xx sizes, or nylon bowls with metal bowl guards. Replaceable 40-micron filter elements are standard. An optional 5-micron filter element (purchased separately and customer installable) is available when stricter filtration is required. Provided with a mounting bracket for stand-alone applications, the modular design also enables easy field assembly for combining with NITRA pneumatic regulators and lubricators (using modular assembly brackets purchased separately).



AF2-683-D AF2-443-AN AF2-323 AF2-213-N



Mounting bracket included.



Air Filter

Features

- 1/8", 1/4", 3/8", 1/2", 3/4" and 1" NPT female port sizes
- 40-micron replaceable filter element standard; for stricter filtration, an optional 5-micron filter element purchased separately is easily customer installable
- All-metal bowls with sight gauge available on all sizes. Polycarbonate or nylon bowls with metal bowl guards available on 2xx, 3xx and 4xx sizes.
- Manual / semi-automatic and automatic drains available
- Mounting bracket provided for stand-alone applications
- Modular design enables easy field assembly for combining with NITRA regulators and lubricators
- 2-year warranty



See for a wide variety of fitting options

AF2 Series Filters												
Part No.	Price	Weight (lbs)	Port Size (FNPT)	Drain Bowl	Drain Type	Fluid	Temp	Filtering Grade	Operating Pressure	Maximum Pressure	Proof Pressure	Drawing Link
AF2-213-N		0.65	1/8"	25cc nylon with metal bowl guard	Manual/ Semi-Automatic	Air	-5°C to 70°C (23°F to 158°F)	40µ (5µ element can be ordered separately and field installed)	20-145psi (0.15-1.0MPa) (1.4-10.0 bar)	145psi (1.0MPa) (10.0 bar)	215psi (1.5MPa) (15 bar)	PDF
AF2-213-D		0.67		25cc die-cast aluminum bowl w/ sight								PDF
AF2-213		0.66		25cc polycarbonate with metal bowl guard								PDF
AF2-223-N		0.64	25cc nylon with metal bowl guard	PDF								
AF2-223-D		0.67	25cc die-cast aluminum bowl w/ sight	PDF								
AF2-223		0.65	25cc polycarbonate with metal bowl guard	PDF								
AF2-323-N		1.06	1/4"	60cc nylon with metal bowl guard	Automatic	Air	-5°C to 70°C (23°F to 158°F)	40µ (5µ element can be ordered separately and field installed)	20-145psi (0.15-1.0MPa) (1.4-10.0 bar)	145psi (1.0MPa) (10.0 bar)	215psi (1.5MPa) (15 bar)	PDF
AF2-323-D		1.1		60cc die-cast aluminum bowl w/ sight								PDF
AF2-323		1.08		60cc polycarbonate with metal bowl guard								PDF
AF2-323-AN		1.1		60cc nylon with metal bowl guard								PDF
AF2-323-AD		1.13		60cc die-cast aluminum bowl w/ sight								PDF
AF2-323-A		1.12		60cc polycarbonate with metal bowl guard								PDF

See our Web site for complete Engineering drawings.



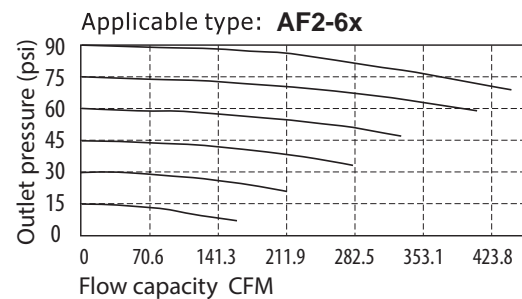
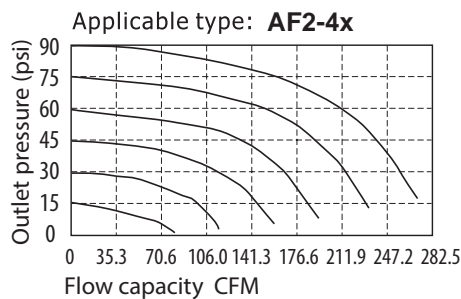
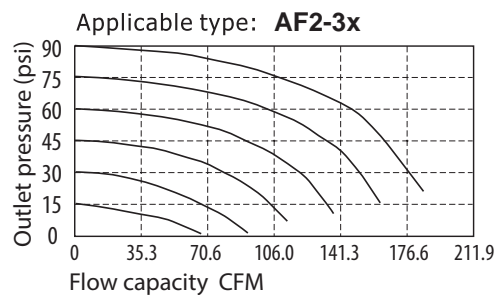
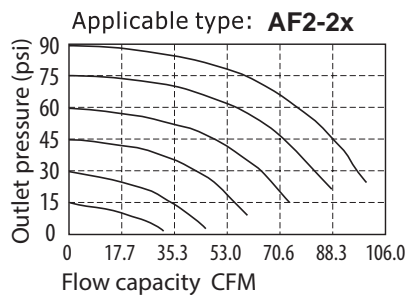
Pneumatic Air Preparation - AF2 Series Filters

AF2 Series Filters Cont.													
Part No.	Price	Weight (lbs)	Port Size (FNPT)	Drain Bowl	Drain Type	Fluid	Temperature	Filtering Grade	Operating Pressure	Maximum Pressure	Proof Pressure	Drawing Link	
AF2-333-N		1.04	3/8"	60cc nylon with metal bowl guard	Manual/Semi-Automatic	Air	-5°C to 70°C (23°F to 158°F)	40µ (5µ element can be ordered separately and field installed)	20-145psi (0.15-1.0MPa) (1.4-10.0 bar)	145psi (1.0MPa) (10.0 bar)	215psi (1.5MPa) (15 bar)	PDF	
AF2-333-D		1.08		60cc die-cast aluminum bowl w/ sight									PDF
AF2-333		1.05		60cc polycarbonate with metal bowl guard									PDF
AF2-333-AN		1.07		60cc nylon with metal bowl guard	Automatic							PDF	
AF2-333-AD		1.11		60cc die-cast aluminum bowl w/ sight								PDF	
AF2-333-A		1.09		60cc polycarbonate with metal bowl guard								PDF	
AF2-443-N		1.74	1/2"	100cc nylon with metal bowl guard	Manual/Semi-Automatic							PDF	
AF2-443-D		1.77		100cc die-cast aluminum bowl w/ sight									PDF
AF2-443		1.77		100cc polycarbonate with metal bowl guard									PDF
AF2-443-AN		1.77		100cc nylon with metal bowl guard	Automatic							PDF	
AF2-443-AD		1.81		100cc die-cast aluminum bowl w/ sight								PDF	
AF2-443-A		1.8		100cc polycarbonate with metal bowl guard								PDF	
AF2-663-D		3.31	3/4"	205cc die-cast aluminum bowl w/ sight	Manual/Semi-Automatic	PDF							
AF2-663-AD		3.35		205cc die-cast aluminum bowl w/ sight	Automatic	PDF							
AF2-683-D		3.22	1"	205cc die-cast aluminum bowl w/ sight	Manual/Semi-Automatic	PDF							
AF2-683-AD		3.26		205cc die-cast aluminum bowl w/ sight	Automatic	PDF							

See our Web site for complete Engineering drawings.

Performance Charts

Flow chart





Part No. AGP-21



Part No. ADB-21



Part No. AB-4T



Part No. AB-4L



Part No. AB-4U

Pneumatic Air Preparation Accessories			
Part No.	Price	Description	Weight (lbs)
AGP-21		NITRA pneumatic gauge port adapter plate, 1/8 inch NPT female port, with mounting screws. Easy field assembly with NITRA pneumatic AR-2 series regulators and AFR-2 series filter / regulators.	0.03
AGP-32		NITRA pneumatic gauge port adapter plate, 1/4 inch NPT female port, with mounting screws. Easy field assembly with NITRA pneumatic AR-3, AR-4 and AR-6 series regulators and AFR-3, AFR-4 and AFR-6 series filter / regulators.	0.04
ADB-21		NITRA pneumatic distribution block with four (4) 1/8 inch NPT female ports. Modular design enables easy field assembly with NITRA pneumatic AF-21 series filters, AR-21 series regulators, AL-21 series lubricators and AFR-21 series filter / regulators.	0.1
ADB-22		NITRA pneumatic distribution block with four (4) 1/4 inch NPT female ports. Modular design enables easy field assembly with NITRA pneumatic AF-22 series filters, AR-22 series regulators, AL-22 series lubricators and AFR-22 series filter / regulators.	0.1
ADB-32		NITRA pneumatic distribution block with four (4) 1/4 inch NPT female ports. Modular design enables easy field assembly with NITRA pneumatic AF-32 series filters, AR-32 series regulators, AL-32 series lubricators and AFR-32 series filter / regulators.	0.2
ADB-33		NITRA pneumatic distribution block with four (4) 3/8 inch NPT female ports. Modular design enables easy field assembly with NITRA pneumatic AF-33 series filters, AR-33 series regulators, AL-33 series lubricators and AFR-33 series filter / regulators.	0.2
ADB-44		NITRA pneumatic distribution block with four (4) 1/2 inch NPT female ports. Modular design enables easy field assembly with NITRA pneumatic AF-44 series filters, AR-44 series regulators and AFR-44 series filter / regulators.	0.4
AB-2T		NITRA pneumatic modular assembly and mounting T-bracket with two mounting tangs, used to assemble and mount individual NITRA AF-2 series filters, AR-2 series regulators, AL-2 series lubricators and AFR-2 series filter/regulators as a combined unit	0.2
AB-2L		NITRA pneumatic modular assembly and mounting L-bracket with one mounting tang, used to assemble and mount individual NITRA AF-2 series filters, AR-2 series regulators, AL-2 series lubricators and AFR-2 series filter/regulators as a combined unit	0.2
AB-2U		NITRA pneumatic modular assembly U-bracket (no mounting tangs), used to assemble individual NITRA AF-2 series filters, AR-2 series regulators, AL-2 series lubricators and AFR-2 series filter/regulators as a combined unit	0.1
AB-3T		NITRA pneumatic modular assembly and mounting T-bracket with two mounting tangs, used to assemble and mount individual NITRA AF-3 series filters, AR-3 series regulators, AL-3 series lubricators and AFR-3 series filter/regulators as a combined unit	0.3
AB-3L		NITRA pneumatic modular assembly and mounting L-bracket with one mounting tang, used to assemble and mount individual NITRA AF-3 series filters, AR-3 series regulators, AL-3 series lubricators and AFR-3 series filter/regulators as a combined unit	0.3
AB-3U		NITRA pneumatic modular assembly U-bracket (no mounting tangs), used to assemble individual NITRA AF-3 series filters, AR-3 series regulators, AL-3 series lubricators and AFR-3 series filter/regulators as a combined unit	0.2
AB-4T		NITRA pneumatic modular assembly and mounting T-bracket with two mounting tangs, used to assemble and mount individual NITRA AF-4 series filters, AR-4 series regulators, AL-4 series lubricators and AFR-4 series filter/regulators as a combined unit	0.5
AB-4L		NITRA pneumatic modular assembly and mounting L-bracket with one mounting tang, used to assemble and mount individual NITRA AF-4 series filters, AR-4 series regulators, AL-4 series lubricators and AFR-4 series filter/regulators as a combined unit	0.5
AB-4U		NITRA pneumatic modular assembly U-bracket (no mounting tangs), used to assemble individual NITRA AF-4 series filters, AR-4 series regulators, AL-4 series lubricators and AFR-4 series filter/regulators as a combined unit	0.4
AB-6T		NITRA pneumatic modular assembly and mounting T-bracket with two mounting tangs, used to assemble and mount individual NITRA AF-6 series filters, AR-6 series regulators, AL-6 series lubricators and AFR-6 series filter/regulators as a combined unit	1.3
AB-6L		NITRA pneumatic modular assembly and mounting L-bracket with one mounting tang, used to assemble and mount individual NITRA AF-6 series filters, AR-6 series regulators, AL-6 series lubricators and AFR-6 series filter/regulators as a combined unit	1.2
AB-6U		NITRA pneumatic modular assembly U-bracket (no mounting tangs), used to assemble individual NITRA AF-6 series filters, AR-6 series regulators, AL-6 series lubricators and AFR-6 series filter/regulators as a combined unit	0.8



Part No. AFE2-43



Part No. AFE2-41



Part No. AFE-24



Part No. AFE-35

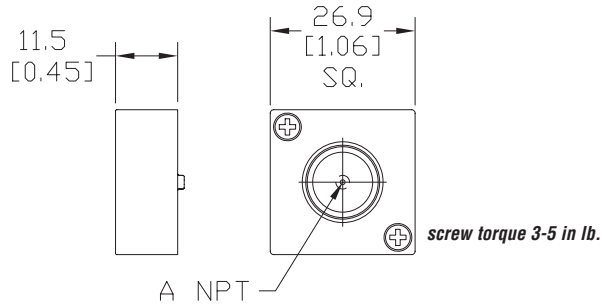
Pneumatic Air Preparation Accessories			
Part No.	Price	Description	Weight (lbs)
NITRA Gen 2 Particulate Filters			
AFE2-23		NITRA particulate filter element, replacement, 40 micron particles, high-density polyethylene (HDPE). For use with AF-2 series filters or AFR-2 series filter regulators.	0.01
AFE2-33		NITRA particulate filter element, replacement, 40 micron particles, high-density polyethylene (HDPE). For use with AF-3 series filters or AFR-3 series filter regulators.	0.01
AFE2-43		NITRA particulate filter element, replacement, 40 micron particles, high-density polyethylene (HDPE). For use with AF-4 series filters or AFR-4 series filter regulators.	0.01
AFE2-63		NITRA particulate filter element, replacement, 40 micron particles, high-density polyethylene (HDPE). For use with AF-6 series filters or AFR-6 series filter regulators.	0.04
AFE2-21		NITRA particulate filter element, replacement, 5 micron particles, high-density polyethylene (HDPE). For use with AF-2 series filters or AFR-2 series filter regulators.	0.01
AFE2-31		NITRA particulate filter element, replacement, 5 micron particles, high-density polyethylene (HDPE). For use with AF-3 series filters or AFR-3 series filter regulators.	0.01
AFE2-41		NITRA particulate filter element, replacement, 5 micron particles, high-density polyethylene (HDPE). For use with AF-4 series filters or AFR-4 series filter regulators.	0.01
AFE2-61		NITRA particulate filter element, replacement, 5 micron particles, high-density polyethylene (HDPE). For use with AF-6 series filters or AFR-6 series filter regulators.	0.04
NITRA Coalescing Filters			
AFE-24		NITRA coalescing oil removal filter element, replacement, 0.3 micron particles, borosilicate glass microfiber. For use with AC-2 series coalescing filters.	0.05
AFE-34		NITRA coalescing oil removal filter element, replacement, 0.3 micron particles, borosilicate glass microfiber. For use with AC-3 series coalescing filters.	0.05
AFE-44		NITRA coalescing oil removal filter element, replacement, 0.3 micron particles, borosilicate glass microfiber. For use with AC-4 series coalescing filters.	0.1
AFE-25		NITRA coalescing oil removal filter element, replacement, 0.01 micron particles, borosilicate glass microfiber. For use with AC-2 series coalescing filters.	0.04
AFE-35		NITRA coalescing oil removal filter element, replacement, 0.01 micron particles, borosilicate glass microfiber. For use with AC-3 series coalescing filters.	0.05
AFE-45		NITRA coalescing oil removal filter element, replacement, 0.01 micron particles, borosilicate glass microfiber. For use with AC-4 series coalescing filters.	0.1

Dimensions

mm [inches]

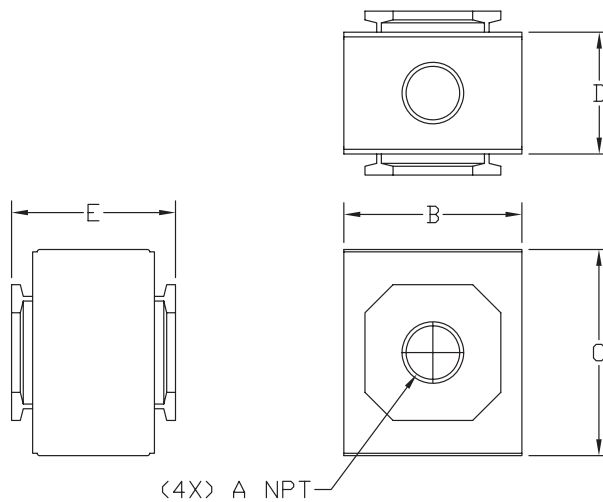
AGP-x

PART NO.	A NPT
APG-21	1/8
APG-32	1/4



ADB-x

PART NO.	A NPT	DIM B	DIM C	DIM D	DIM E
ADB-21	1/8	30.0 [1.18]	36.0 [1.42]	19.5 [0.77]	28.5 [1.12]
ADB-22	1/4	30.0 [1.18]	36.0 [1.42]	19.5 [0.77]	28.5 [1.12]
ADB-32	1/4	38.0 [1.50]	44.0 [1.73]	26.0 [1.02]	35.0 [1.38]
ADB-33	3/8	38.0 [1.50]	44.0 [1.73]	26.0 [1.02]	35.0 [1.38]
ADB-44	1/2	52.0 [2.05]	52.0 [2.05]	30.0 [1.18]	42.0 [1.65]



See our Web site [www.nitra.com](#)
for complete Engineering drawings.

Dimensions

mm [inches]

AB-xT

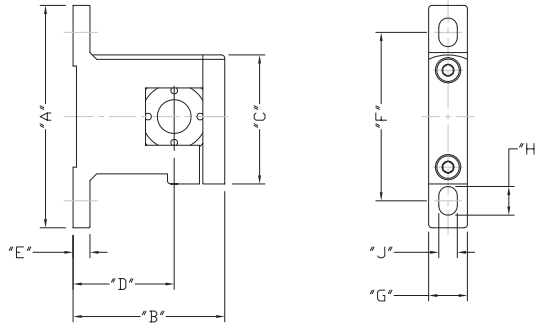


TABLE 1

PART NUMBER	DIM 'A'	DIM 'B'	DIM 'C'	DIM 'D'	DIM 'E'	DIM 'F'	DIM 'G'	DIM 'H'	DIM 'J'
AB-2T	66.0 [2.60]	45.0 [1.77]	38.3 [1.51]	30.0 [1.18]	5.0 [0.20]	50.0 [1.97]	11.5 [0.45]	8.5 [0.33]	5.5 [0.22]
AB-3T	88.0 [3.46]	60.5 [2.38]	49.3 [1.94]	41.5 [1.63]	7.0 [0.28]	70.0 [2.76]	12.5 [0.49]	9.0 [0.35]	6.5 [0.26]
AB-4T	104.0 [4.09]	76.0 [2.99]	58.5 [2.30]	50.0 [1.97]	7.0 [0.28]	80.0 [3.15]	15.5 [0.61]	12.0 [0.47]	8.6 [0.34]
AB-6T	128.0 [5.04]	104.0 [4.09]	79.5 [3.13]	70.0 [2.76]	10.0 [0.39]	100.0 [3.94]	19.5 [0.77]	16.0 [0.63]	11.0 [0.43]

AB-xL

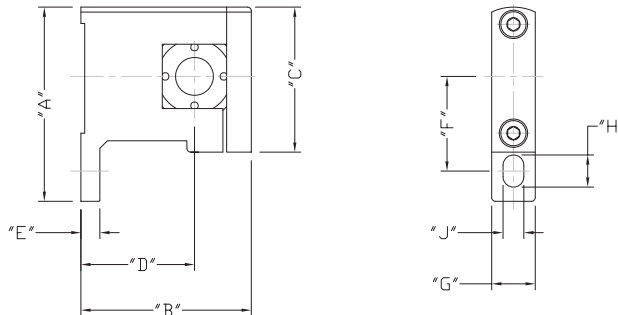


TABLE 1

PART NUMBER	DIM 'A'	DIM 'B'	DIM 'C'	DIM 'D'	DIM 'E'	DIM 'F'	DIM 'G'	DIM 'H'	DIM 'J'
AB-2L	51.3 [2.02]	45.0 [1.77]	38.3 [1.51]	30.0 [1.18]	5.0 [0.20]	25.0 [0.98]	11.5 [0.45]	8.5 [0.33]	5.5 [0.22]
AB-3L	68.6 [2.70]	60.5 [2.38]	49.3 [1.94]	41.5 [1.63]	7.0 [0.28]	35.0 [1.38]	12.5 [0.49]	9.0 [0.35]	6.5 [0.26]
AB-4L	79.5 [3.13]	76.0 [2.99]	58.5 [2.30]	50.0 [1.97]	7.0 [0.28]	40.0 [1.57]	15.5 [0.61]	12.0 [0.47]	8.6 [0.34]
AB-6L	103.5 [4.07]	104.0 [4.09]	79.5 [3.13]	70.0 [2.76]	10.0 [0.39]	50.0 [1.97]	19.5 [0.77]	16.0 [0.63]	11.0 [0.43]

See our Web site [www.nitra.com](#)
for complete Engineering drawings.

Dimensions

mm [inches]

AB-xU

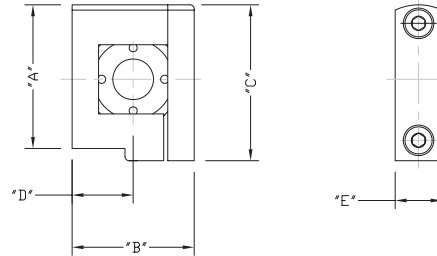


TABLE 1					
PART NUMBER	DIM 'A'	DIM 'B'	DIM 'C'	DIM 'D'	DIM 'E'
AB-2U	35.5 [1.39]	30.0 [1.18]	38.3 [1.51]	15.0 [0.59]	11.5 [0.45]
AB-3U	43.8 [1.72]	38.0 [1.50]	49.3 [1.94]	19.5 [0.75]	12.5 [0.49]
AB-4U	52.5 [2.07]	52.0 [2.05]	58.5 [2.30]	26.0 [1.02]	15.5 [0.61]
AB-6U	76.5 [3.01]	68.0 [2.68]	79.5 [3.13]	34.0 [1.34]	19.5 [0.77]

See our Web site [_____](#)
for complete Engineering drawings.