



Pneumatic Air Preparation - AL Series Lubricators



AL-66



AL-32



AL-21



Modular Assembly Example

NITRA® pneumatic mist type air lubricators are available with 1/8", 1/4", 3/8", 1/2", 3/4" or 1" NPT female port sizes and a lubrication rate adjustment with sight gauge to meet a broad range of pneumatic air supply lubrication applications. All-metal bowls with sight gauge are available on all sizes. Polycarbonate bowls are available on 2x, 3x and 4x sizes, with metal bowl guards included on 3x and 4x sizes.

Provided with a mounting bracket for stand-alone applications, the modular design also enables easy field assembly for combining with NITRA pneumatic filters and regulators (using modular assembly brackets purchased separately).

Features

- 1/8", 1/4", 3/8", 1/2", 3/4" and 1" NPT female port sizes
- All-metal bowls with sight gauge available on all sizes. Polycarbonate bowls available on 2x, 3x and 4x sizes, with metal bowl guards included on 3x and 4x sizes.
- Adjustable lubrication rate
- Mounting bracket provided for stand-alone applications
- Modular design enables easy field assembly for combining with NITRA filters and regulators
- Lubricators can be filled while pressurized
- 2 year warranty



Mounting bracket included.



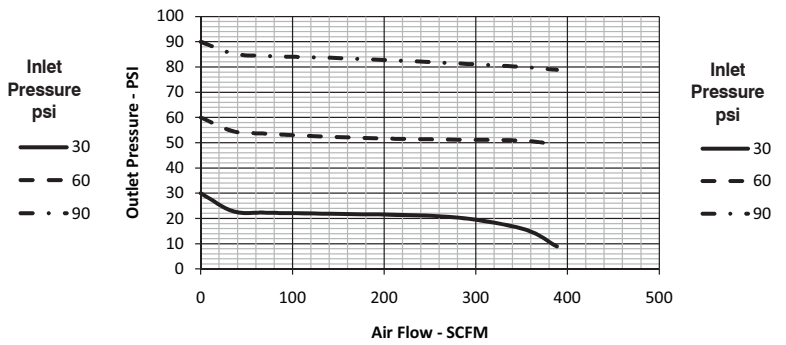
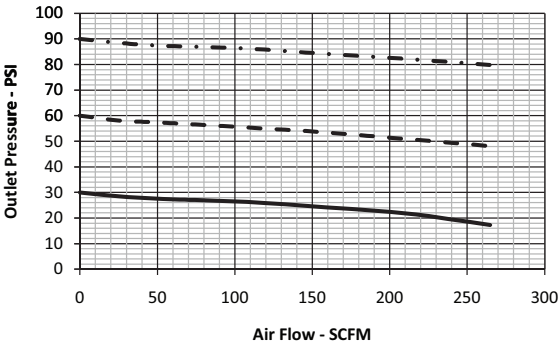
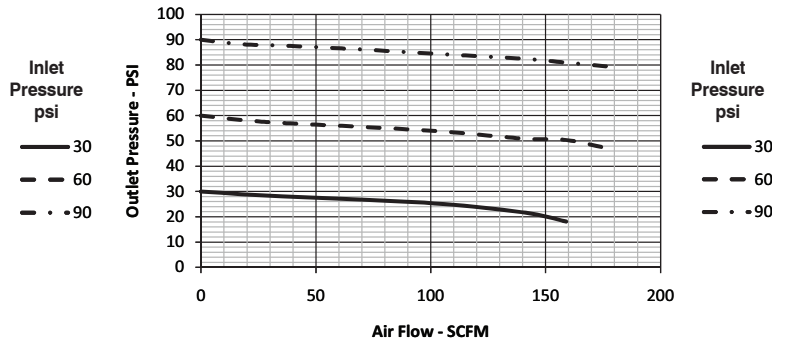
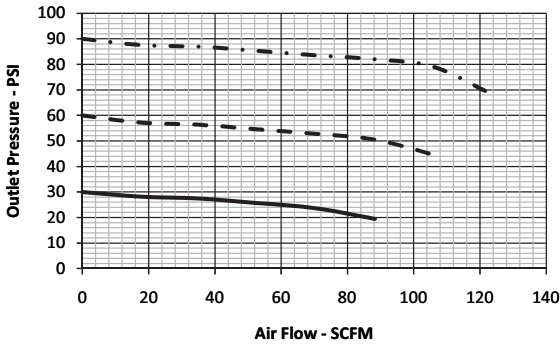
Air Lubricator



See for a wide variety of fitting options

AL Series Lubricators										
Part No.	Price	Weight (lbs)	Port Size	Bowl	Fluid	Temperature	Operating Pressure	Maximum Pressure	Proof Pressure	Recommended Lubricant
AL-21		0.4	1/8"	25cc Polycarbonate	Air	23-140°F (-5-60°C)	20-130psi (0.14-0.90MPa) (1.4-9.0 bar)	130psi (0.90MPa) (9.0 bar)	215psi (1.5MPa) (15 bar)	Non-Detergent SAE10, ISO VG32 or equivalent
AL-22		0.4	1/4"	25cc Polycarbonate						
AL-22-D		0.5		32cc Metal with sight gauge						
AL-32		1.0		75cc Polycarbonate with metal bowl guard						
AL-32-D		1.0		75cc Metal with sight gauge						
AL-33		1.0	3/8"	75cc Polycarbonate with metal bowl guard						
AL-33-D		1.0		75cc Metal with sight gauge						
AL-44		1.9	1/2"	160cc Polycarbonate with metal bowl guard						
AL-44-D		1.8		160cc Metal with sight gauge						
AL-66		3.5	3/4"	380cc Metal with sight gauge						
AL-68		3.8	1"							

Performance Charts



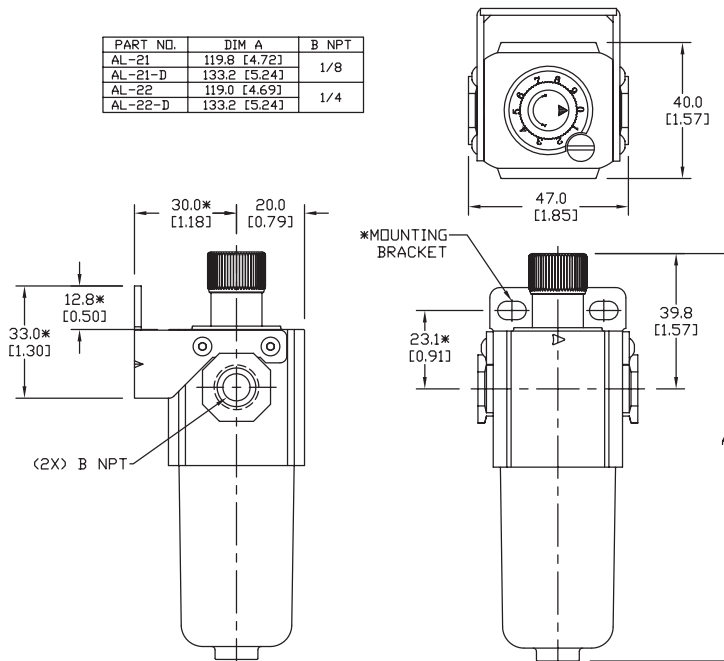
Dimensions

mm [inches]

*MOUNTING BRACKET INSTALLATION OPTIONAL

AL-2x

PART NO.	DIM A	B NPT
AL-21	119.8 [4.72]	1/8
AL-21-D	133.2 [5.24]	1/8
AL-22	119.0 [4.69]	1/4
AL-22-D	133.2 [5.24]	1/4



See our Web site for complete Engineering drawings.

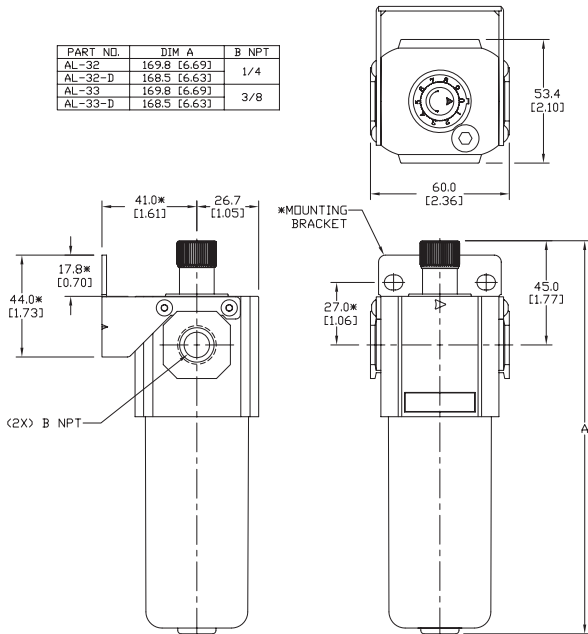
Dimensions

mm [inches]

AL-3x

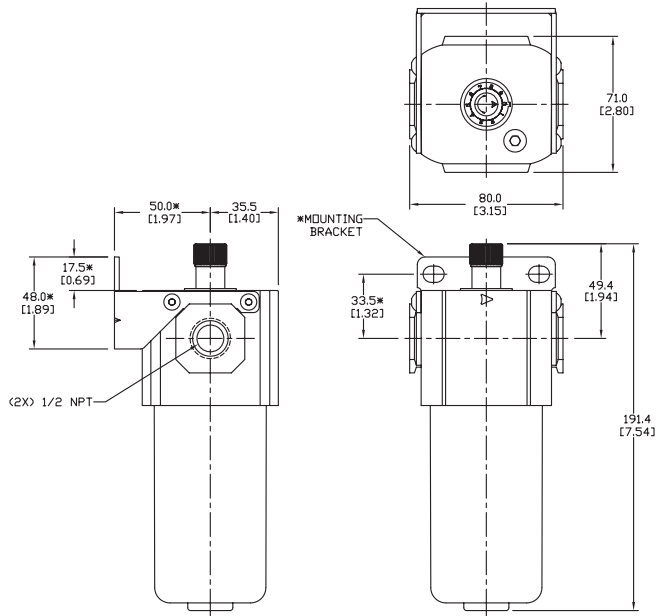
*MOUNTING BRACKET INSTALLATION OPTIONAL

PART NO.	DIM A	B NPT
AL-3E	169.8 [6.69]	1/4
AL-3E-D	168.5 [6.63]	1/4
AL-3S	169.8 [6.69]	3/8
AL-3S-D	168.5 [6.63]	3/8



AL-4x

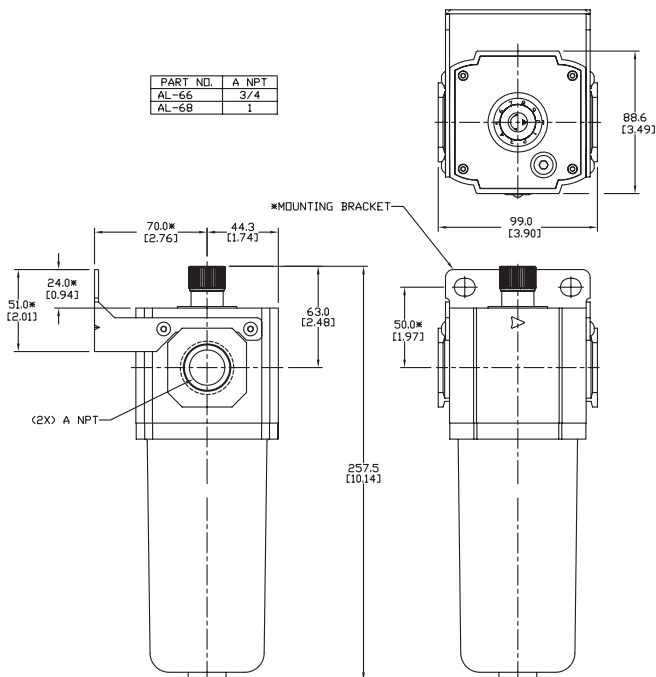
*MOUNTING BRACKET INSTALLATION OPTIONAL



AL-6x

*MOUNTING BRACKET INSTALLATION OPTIONAL

PART NO.	A NPT
AL-6E	3/4
AL-6S	1



Note: Unit dimensions are the same for listed models; port NPT varies based on model.

See our Web site for complete Engineering drawings.



Part No. AGP-21



Part No. ADB-21



Part No. AB-4T



Part No. AB-4L



Part No. AB-4U

Pneumatic Air Preparation Accessories			
Part No.	Price	Description	Weight (lbs)
AGP-21		NITRA pneumatic gauge port adapter plate, 1/8 inch NPT female port, with mounting screws. Easy field assembly with NITRA pneumatic AR-2 series regulators and AFR-2 series filter / regulators.	0.03
AGP-32		NITRA pneumatic gauge port adapter plate, 1/4 inch NPT female port, with mounting screws. Easy field assembly with NITRA pneumatic AR-3, AR-4 and AR-6 series regulators and AFR-3, AFR-4 and AFR-6 series filter / regulators.	0.04
ADB-21		NITRA pneumatic distribution block with four (4) 1/8 inch NPT female ports. Modular design enables easy field assembly with NITRA pneumatic AF-21 series filters, AR-21 series regulators, AL-21 series lubricators and AFR-21 series filter / regulators.	0.1
ADB-22		NITRA pneumatic distribution block with four (4) 1/4 inch NPT female ports. Modular design enables easy field assembly with NITRA pneumatic AF-22 series filters, AR-22 series regulators, AL-22 series lubricators and AFR-22 series filter / regulators.	0.1
ADB-32		NITRA pneumatic distribution block with four (4) 1/4 inch NPT female ports. Modular design enables easy field assembly with NITRA pneumatic AF-32 series filters, AR-32 series regulators, AL-32 series lubricators and AFR-32 series filter / regulators.	0.2
ADB-33		NITRA pneumatic distribution block with four (4) 3/8 inch NPT female ports. Modular design enables easy field assembly with NITRA pneumatic AF-33 series filters, AR-33 series regulators, AL-33 series lubricators and AFR-33 series filter / regulators.	0.2
ADB-44		NITRA pneumatic distribution block with four (4) 1/2 inch NPT female ports. Modular design enables easy field assembly with NITRA pneumatic AF-44 series filters, AR-44 series regulators, AL-44 series lubricators and AFR-44 series filter / regulators.	0.4
AB-2T		NITRA pneumatic modular assembly and mounting T-bracket with two mounting tangs, used to assemble and mount individual NITRA AF-2 series filters, AR-2 series regulators, AL-2 series lubricators and AFR-2 series filter/regulators as a combined unit	0.2
AB-2L		NITRA pneumatic modular assembly and mounting L-bracket with one mounting tang, used to assemble and mount individual NITRA AF-2 series filters, AR-2 series regulators, AL-2 series lubricators and AFR-2 series filter/regulators as a combined unit	0.2
AB-2U		NITRA pneumatic modular assembly U-bracket (no mounting tangs), used to assemble individual NITRA AF-2 series filters, AR-2 series regulators, AL-2 series lubricators and AFR-2 series filter/regulators as a combined unit	0.1
AB-3T		NITRA pneumatic modular assembly and mounting T-bracket with two mounting tangs, used to assemble and mount individual NITRA AF-3 series filters, AR-3 series regulators, AL-3 series lubricators and AFR-3 series filter/regulators as a combined unit	0.3
AB-3L		NITRA pneumatic modular assembly and mounting L-bracket with one mounting tang, used to assemble and mount individual NITRA AF-3 series filters, AR-3 series regulators, AL-3 series lubricators and AFR-3 series filter/regulators as a combined unit	0.3
AB-3U		NITRA pneumatic modular assembly U-bracket (no mounting tangs), used to assemble individual NITRA AF-3 series filters, AR-3 series regulators, AL-3 series lubricators and AFR-3 series filter/regulators as a combined unit	0.2
AB-4T		NITRA pneumatic modular assembly and mounting T-bracket with two mounting tangs, used to assemble and mount individual NITRA AF-4 series filters, AR-4 series regulators, AL-4 series lubricators and AFR-4 series filter/regulators as a combined unit	0.5
AB-4L		NITRA pneumatic modular assembly and mounting L-bracket with one mounting tang, used to assemble and mount individual NITRA AF-4 series filters, AR-4 series regulators, AL-4 series lubricators and AFR-4 series filter/regulators as a combined unit	0.5
AB-4U		NITRA pneumatic modular assembly U-bracket (no mounting tangs), used to assemble individual NITRA AF-4 series filters, AR-4 series regulators, AL-4 series lubricators and AFR-4 series filter/regulators as a combined unit	0.4
AB-6T		NITRA pneumatic modular assembly and mounting T-bracket with two mounting tangs, used to assemble and mount individual NITRA AF-6 series filters, AR-6 series regulators, AL-6 series lubricators and AFR-6 series filter/regulators as a combined unit	1.3
AB-6L		NITRA pneumatic modular assembly and mounting L-bracket with one mounting tang, used to assemble and mount individual NITRA AF-6 series filters, AR-6 series regulators, AL-6 series lubricators and AFR-6 series filter/regulators as a combined unit	1.2
AB-6U		NITRA pneumatic modular assembly U-bracket (no mounting tangs), used to assemble individual NITRA AF-6 series filters, AR-6 series regulators, AL-6 series lubricators and AFR-6 series filter/regulators as a combined unit	0.8



Part No. AFE-43



Part No. AFE2-43



Part No. AFE2-41



Part No. AFE-24



Part No. AFE-35

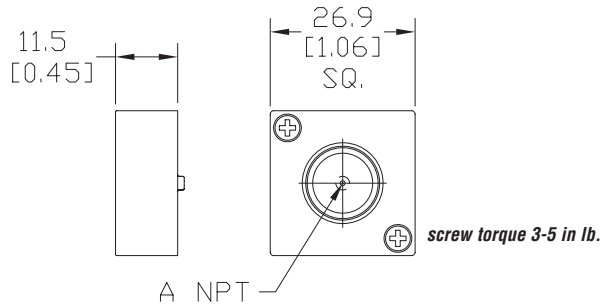
Pneumatic Air Preparation Accessories			
Part No.	Price	Description	Weight (lbs)
NITRA Particulate Filters			
AFE-23		NITRA particulate filter element, replacement, 40 micron, bronze. For use with AF-2 series filters or AFR-2 series filter regulators.	0.02
AFE-43		NITRA particulate filter element, replacement, 40 micron, bronze. For use with AF-4 series filters or AFR-4 series filter regulators.	0.1
AFE-63		NITRA particulate filter element, replacement, 40 micron, bronze. For use with AF-6 series filters or AFR-6 series filter regulators.	0.4
AFE-31		NITRA particulate filter element, replacement, 5 micron, polycarbonate. For use with AF-3 series filters or AFR-3 series filter regulators.	0.1
AFE-61		NITRA particulate filter element, replacement, 5 micron, bronze. For use with AF-6 series filters or AFR-6 series filter regulators.	0.4
NITRA Gen 2 Particulate Filters			
AFE2-23		NITRA particulate filter element, replacement, 40 micron, high-density polyethylene (HDPE). For use with AF-2 series filters or AFR-2 series filter regulators.	0.01
AFE2-33		NITRA particulate filter element, replacement, 40 micron, high-density polyethylene (HDPE). For use with AF-3 series filters or AFR-3 series filter regulators.	0.01
AFE2-43		NITRA particulate filter element, replacement, 40 micron, high-density polyethylene (HDPE). For use with AF-4 series filters or AFR-4 series filter regulators.	0.01
AFE2-63		NITRA particulate filter element, replacement, 40 micron, high-density polyethylene (HDPE). For use with AF-6 series filters or AFR-6 series filter regulators.	0.04
AFE2-21		NITRA particulate filter element, replacement, 5 micron, high-density polyethylene (HDPE). For use with AF-2 series filters or AFR-2 series filter regulators.	0.01
AFE2-31		NITRA particulate filter element, replacement, 5 micron, high-density polyethylene (HDPE). For use with AF-3 series filters or AFR-3 series filter regulators.	0.01
AFE2-41		NITRA particulate filter element, replacement, 5 micron, high-density polyethylene (HDPE). For use with AF-4 series filters or AFR-4 series filter regulators.	0.01
AFE2-61		NITRA particulate filter element, replacement, 5 micron, high-density polyethylene (HDPE). For use with AF-6 series filters or AFR-6 series filter regulators.	0.04
NITRA Coalescing Filters			
AFE-24		NITRA coalescing filter element, replacement, 0.3 micron, borosilicate glass microfiber. For use with AC-2 series coalescing filters.	0.05
AFE-34		NITRA coalescing filter element, replacement, 0.3 micron, borosilicate glass microfiber. For use with AC-3 series coalescing filters.	0.05
AFE-44		NITRA coalescing filter element, replacement, 0.3 micron, borosilicate glass microfiber. For use with AC-4 series coalescing filters.	0.1
AFE-25		NITRA coalescing filter element, replacement, 0.01 micron, borosilicate glass microfiber. For use with AC-2 series coalescing filters.	0.04
AFE-35		NITRA coalescing filter element, replacement, 0.01 micron, borosilicate glass microfiber. For use with AC-3 series coalescing filters.	0.05
AFE-45		NITRA coalescing filter element, replacement, 0.01 micron, borosilicate glass microfiber. For use with AC-4 series coalescing filters.	0.1

Dimensions

mm [inches]

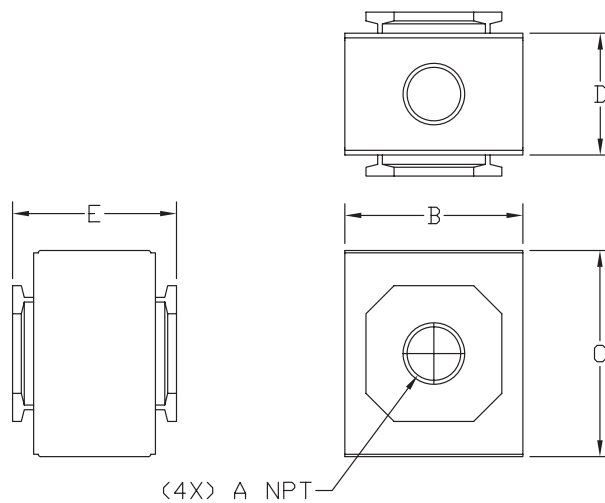
AGP-x

PART NO.	A NPT
APG-21	1/8
APG-32	1/4



ADB-x

PART NO.	A NPT	DIM B	DIM C	DIM D	DIM E
ADB-21	1/8	30.0 [1.18]	36.0 [1.42]	19.5 [0.77]	28.5 [1.12]
ADB-22	1/4	30.0 [1.18]	36.0 [1.42]	19.5 [0.77]	28.5 [1.12]
ADB-32	1/4	38.0 [1.50]	44.0 [1.73]	26.0 [1.02]	35.0 [1.38]
ADB-33	3/8	38.0 [1.50]	44.0 [1.73]	26.0 [1.02]	35.0 [1.38]
ADB-44	1/2	52.0 [2.05]	52.0 [2.05]	30.0 [1.18]	42.0 [1.65]



See our Web site _____
for complete Engineering drawings.