



Pneumatic Air Preparation - AL2 Series Lubricators



Modular Assembly Example



AL2-66-D



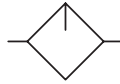
AL2-44-N



AL2-32



Mounting bracket included.



Air Lubricator

NITRA® pneumatic mist type air lubricators are available with 1/8", 1/4", 3/8", 1/2", 3/4" or 1" NPT female port sizes and a lubrication rate adjustment with sight gauge to meet a broad range of pneumatic air supply lubrication applications. All-metal bowls with sight gauge are available in all sizes. Polycarbonate or nylon bowls with metal bowl guards are available in 2x, 3x and 4x sizes.

Provided with a mounting bracket for stand-alone applications, the modular design also enables easy field assembly for combining with NITRA pneumatic filters and regulators (using modular assembly brackets purchased separately).

Features

- 1/8", 1/4", 3/8", 1/2", 3/4" and 1" NPT female port sizes
- All-metal bowls with sight gauge available on all sizes. Polycarbonate or nylon bowls with metal bowl guards available on 2x, 3x and 4x sizes.
- Adjustable lubrication rate
- Mounting bracket provided for stand-alone applications
- Modular design enables easy field assembly for combining with NITRA filters and regulators
- Lubricators can be filled while pressurized
- 2 year warranty



See for a wide variety of fitting options

AL2 Series Lubricators											
Part No.	Price	Weight (lbs)	Port Size (FNPT)	Bowl	Fluid	Temperature	Operating Pressure	Maximum Pressure	Proof Pressure	Recommended Lubricant	Drawing Link
AL2-21-N		0.64	1/8"	36cc nylon with metal bowl guard	Air	-5°C to 70°C (23°F to 158°F)	7-145psi (0.05-1.0MPa) (0.5-10.0 bar)	145psi (1.0MPa) (10.0 bar)	215psi (1.5MPa) (15 bar)	ISO VG32 or equivalent	PDF
AL2-21-D		0.66		36cc die-cast aluminum bowl w/ sight							PDF
AL2-21		0.65		36cc polycarbonate with metal bowl guard							PDF
AL2-22-N		0.63	1/4"	36cc nylon with metal bowl guard							PDF
AL2-22-D		0.65		36cc die-cast aluminum bowl w/ sight							PDF
AL2-22		0.64		36cc polycarbonate with metal bowl guard							PDF
AL2-32-N		1.08		98cc nylon with metal bowl guard							PDF
AL2-32-D		1.12		98cc die-cast aluminum bowl w/ sight							PDF
AL2-32		1.1		98cc polycarbonate with metal bowl guard							PDF
AL2-33-N		1.08	3/8"	98cc nylon with metal bowl guard							PDF
AL2-33-D		1.12		98cc die-cast aluminum bowl w/ sight							PDF
AL2-33		1.09		98cc polycarbonate with metal bowl guard							PDF

See our Web site for complete Engineering drawings.



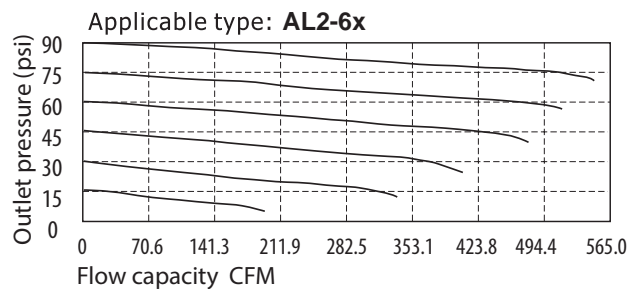
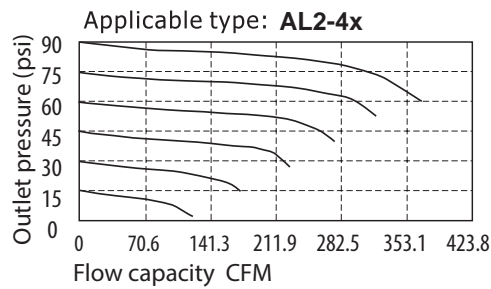
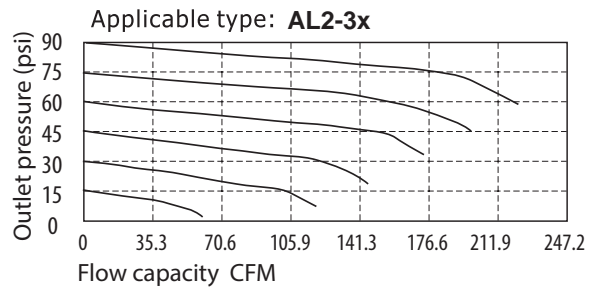
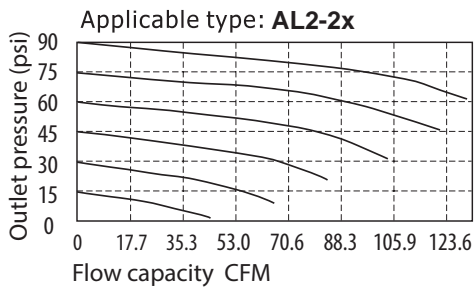
Pneumatic Air Preparation - AL2 Series Lubricators

AL2 Series Lubricators Cont.											
Part No.	Price	Weight (lbs)	Port Size	Bowl	Fluid	Temperature	Operating Pressure	Maximum Pressure	Proof Pressure	Recommended Lubricant	Drawing Link
AL2-44-N		1.8	1/2"	185cc nylon with metal bowl guard	Air	-5°C to 70°C (23°F to 158°F)	7-145psi (0.05-1.0MPa) (0.5-10.0 bar)	145psi (1.0MPa) (10.0 bar)	215psi (1.5MPa) (15 bar)	ISO VG32 or equivalent	PDF
AL2-44-D		1.83		185cc die-cast aluminum bowl w/ sight							PDF
AL2-44		1.82		185cc polycarbonate with metal bowl guard							PDF
AL2-66-D		3.31	3/4"	410cc die-cast aluminum bowl w/ sight							PDF
AL2-68-D		3.27	1"	410cc die-cast aluminum bowl w/ sight							PDF

See our Web site for complete Engineering drawings.

Performance Charts

Flow chart





Part No. AGP-21



Part No. ADB-21



Part No. AB-4T



Part No. AB-4L



Part No. AB-4U

Pneumatic Air Preparation Accessories			
Part No.	Price	Description	Weight (lbs)
AGP-21		NITRA pneumatic gauge port adapter plate, 1/8 inch NPT female port, with mounting screws. Easy field assembly with NITRA pneumatic AR-2 series regulators and AFR-2 series filter / regulators.	0.03
AGP-32		NITRA pneumatic gauge port adapter plate, 1/4 inch NPT female port, with mounting screws. Easy field assembly with NITRA pneumatic AR-3, AR-4 and AR-6 series regulators and AFR-3, AFR-4 and AFR-6 series filter / regulators.	0.04
ADB-21		NITRA pneumatic distribution block with four (4) 1/8 inch NPT female ports. Modular design enables easy field assembly with NITRA pneumatic AF-21 series filters, AR-21 series regulators, AL-21 series lubricators and AFR-21 series filter / regulators.	0.1
ADB-22		NITRA pneumatic distribution block with four (4) 1/4 inch NPT female ports. Modular design enables easy field assembly with NITRA pneumatic AF-22 series filters, AR-22 series regulators, AL-22 series lubricators and AFR-22 series filter / regulators.	0.1
ADB-32		NITRA pneumatic distribution block with four (4) 1/4 inch NPT female ports. Modular design enables easy field assembly with NITRA pneumatic AF-32 series filters, AR-32 series regulators, AL-32 series lubricators and AFR-32 series filter / regulators.	0.2
ADB-33		NITRA pneumatic distribution block with four (4) 3/8 inch NPT female ports. Modular design enables easy field assembly with NITRA pneumatic AF-33 series filters, AR-33 series regulators, AL-33 series lubricators and AFR-33 series filter / regulators.	0.2
ADB-44		NITRA pneumatic distribution block with four (4) 1/2 inch NPT female ports. Modular design enables easy field assembly with NITRA pneumatic AF-44 series filters, AR-44 series regulators and AFR-44 series filter / regulators.	0.4
AB-2T		NITRA pneumatic modular assembly and mounting T-bracket with two mounting tangs, used to assemble and mount individual NITRA AF-2 series filters, AR-2 series regulators, AL-2 series lubricators and AFR-2 series filter/regulators as a combined unit	0.2
AB-2L		NITRA pneumatic modular assembly and mounting L-bracket with one mounting tang, used to assemble and mount individual NITRA AF-2 series filters, AR-2 series regulators, AL-2 series lubricators and AFR-2 series filter/regulators as a combined unit	0.2
AB-2U		NITRA pneumatic modular assembly U-bracket (no mounting tangs), used to assemble individual NITRA AF-2 series filters, AR-2 series regulators, AL-2 series lubricators and AFR-2 series filter/regulators as a combined unit	0.1
AB-3T		NITRA pneumatic modular assembly and mounting T-bracket with two mounting tangs, used to assemble and mount individual NITRA AF-3 series filters, AR-3 series regulators, AL-3 series lubricators and AFR-3 series filter/regulators as a combined unit	0.3
AB-3L		NITRA pneumatic modular assembly and mounting L-bracket with one mounting tang, used to assemble and mount individual NITRA AF-3 series filters, AR-3 series regulators, AL-3 series lubricators and AFR-3 series filter/regulators as a combined unit	0.3
AB-3U		NITRA pneumatic modular assembly U-bracket (no mounting tangs), used to assemble individual NITRA AF-3 series filters, AR-3 series regulators, AL-3 series lubricators and AFR-3 series filter/regulators as a combined unit	0.2
AB-4T		NITRA pneumatic modular assembly and mounting T-bracket with two mounting tangs, used to assemble and mount individual NITRA AF-4 series filters, AR-4 series regulators, AL-4 series lubricators and AFR-4 series filter/regulators as a combined unit	0.5
AB-4L		NITRA pneumatic modular assembly and mounting L-bracket with one mounting tang, used to assemble and mount individual NITRA AF-4 series filters, AR-4 series regulators, AL-4 series lubricators and AFR-4 series filter/regulators as a combined unit	0.5
AB-4U		NITRA pneumatic modular assembly U-bracket (no mounting tangs), used to assemble individual NITRA AF-4 series filters, AR-4 series regulators, AL-4 series lubricators and AFR-4 series filter/regulators as a combined unit	0.4
AB-6T		NITRA pneumatic modular assembly and mounting T-bracket with two mounting tangs, used to assemble and mount individual NITRA AF-6 series filters, AR-6 series regulators, AL-6 series lubricators and AFR-6 series filter/regulators as a combined unit	1.3
AB-6L		NITRA pneumatic modular assembly and mounting L-bracket with one mounting tang, used to assemble and mount individual NITRA AF-6 series filters, AR-6 series regulators, AL-6 series lubricators and AFR-6 series filter/regulators as a combined unit	1.2
AB-6U		NITRA pneumatic modular assembly U-bracket (no mounting tangs), used to assemble individual NITRA AF-6 series filters, AR-6 series regulators, AL-6 series lubricators and AFR-6 series filter/regulators as a combined unit	0.8



Part No. AFE2-43



Part No. AFE2-41



Part No. AFE-24



Part No. AFE-35

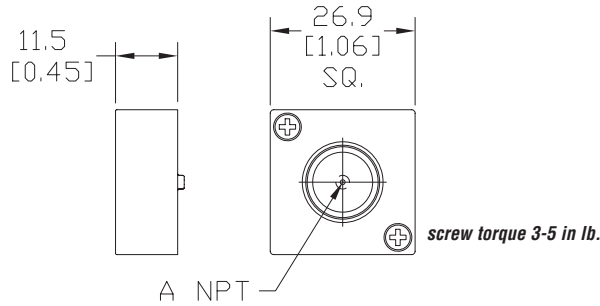
Pneumatic Air Preparation Accessories			
Part No.	Price	Description	Weight (lbs)
NITRA Gen 2 Particulate Filters			
AFE2-23		NITRA particulate filter element, replacement, 40 micron particles, high-density polyethylene (HDPE). For use with AF-2 series filters or AFR-2 series filter regulators.	0.01
AFE2-33		NITRA particulate filter element, replacement, 40 micron particles, high-density polyethylene (HDPE). For use with AF-3 series filters or AFR-3 series filter regulators.	0.01
AFE2-43		NITRA particulate filter element, replacement, 40 micron particles, high-density polyethylene (HDPE). For use with AF-4 series filters or AFR-4 series filter regulators.	0.01
AFE2-63		NITRA particulate filter element, replacement, 40 micron particles, high-density polyethylene (HDPE). For use with AF-6 series filters or AFR-6 series filter regulators.	0.04
AFE2-21		NITRA particulate filter element, replacement, 5 micron particles, high-density polyethylene (HDPE). For use with AF-2 series filters or AFR-2 series filter regulators.	0.01
AFE2-31		NITRA particulate filter element, replacement, 5 micron particles, high-density polyethylene (HDPE). For use with AF-3 series filters or AFR-3 series filter regulators.	0.01
AFE2-41		NITRA particulate filter element, replacement, 5 micron particles, high-density polyethylene (HDPE). For use with AF-4 series filters or AFR-4 series filter regulators.	0.01
AFE2-61		NITRA particulate filter element, replacement, 5 micron particles, high-density polyethylene (HDPE). For use with AF-6 series filters or AFR-6 series filter regulators.	0.04
NITRA Coalescing Filters			
AFE-24		NITRA coalescing oil removal filter element, replacement, 0.3 micron particles, borosilicate glass microfiber. For use with AC-2 series coalescing filters.	0.05
AFE-34		NITRA coalescing oil removal filter element, replacement, 0.3 micron particles, borosilicate glass microfiber. For use with AC-3 series coalescing filters.	0.05
AFE-44		NITRA coalescing oil removal filter element, replacement, 0.3 micron particles, borosilicate glass microfiber. For use with AC-4 series coalescing filters.	0.1
AFE-25		NITRA coalescing oil removal filter element, replacement, 0.01 micron particles, borosilicate glass microfiber. For use with AC-2 series coalescing filters.	0.04
AFE-35		NITRA coalescing oil removal filter element, replacement, 0.01 micron particles, borosilicate glass microfiber. For use with AC-3 series coalescing filters.	0.05
AFE-45		NITRA coalescing oil removal filter element, replacement, 0.01 micron particles, borosilicate glass microfiber. For use with AC-4 series coalescing filters.	0.1

Dimensions

mm [inches]

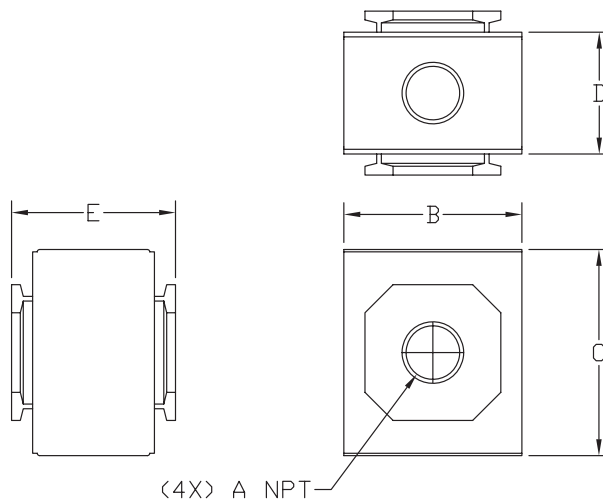
AGP-x

PART NO.	A NPT
APG-21	1/8
APG-32	1/4



ADB-x

PART NO.	A NPT	DIM B	DIM C	DIM D	DIM E
ADB-21	1/8	30.0 [1.18]	36.0 [1.42]	19.5 [0.77]	28.5 [1.12]
ADB-22	1/4	30.0 [1.18]	36.0 [1.42]	19.5 [0.77]	28.5 [1.12]
ADB-32	1/4	38.0 [1.50]	44.0 [1.73]	26.0 [1.02]	35.0 [1.38]
ADB-33	3/8	38.0 [1.50]	44.0 [1.73]	26.0 [1.02]	35.0 [1.38]
ADB-44	1/2	52.0 [2.05]	52.0 [2.05]	30.0 [1.18]	42.0 [1.65]



See our Web site [www.nitra.com](#)
for complete Engineering drawings.

Dimensions

mm [inches]

AB-xT

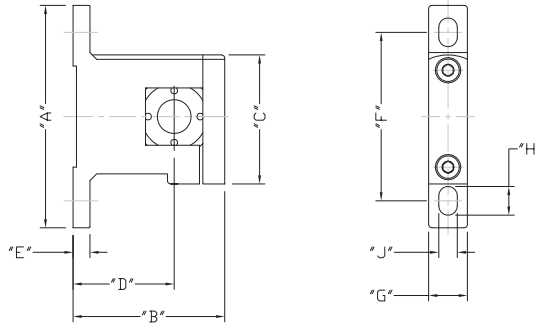


TABLE 1

PART NUMBER	DIM 'A'	DIM 'B'	DIM 'C'	DIM 'D'	DIM 'E'	DIM 'F'	DIM 'G'	DIM 'H'	DIM 'J'
AB-2T	66.0 [2.60]	45.0 [1.77]	38.3 [1.51]	30.0 [1.18]	5.0 [0.20]	50.0 [1.97]	11.5 [0.45]	8.5 [0.33]	5.5 [0.22]
AB-3T	88.0 [3.46]	60.5 [2.38]	49.3 [1.94]	41.5 [1.63]	7.0 [0.28]	70.0 [2.76]	12.5 [0.49]	9.0 [0.35]	6.5 [0.26]
AB-4T	104.0 [4.09]	76.0 [2.99]	58.5 [2.30]	50.0 [1.97]	7.0 [0.28]	80.0 [3.15]	15.5 [0.61]	12.0 [0.47]	8.6 [0.34]
AB-6T	128.0 [5.04]	104.0 [4.09]	79.5 [3.13]	70.0 [2.76]	10.0 [0.39]	100.0 [3.94]	19.5 [0.77]	16.0 [0.63]	11.0 [0.43]

AB-xL

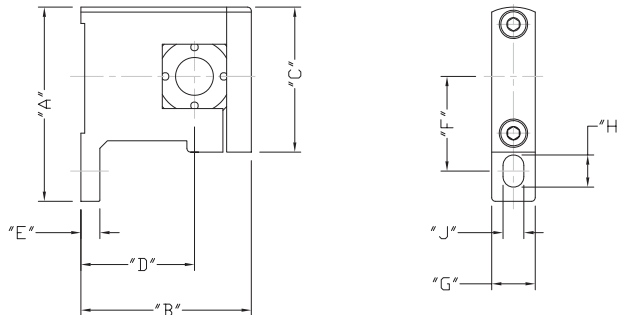


TABLE 1

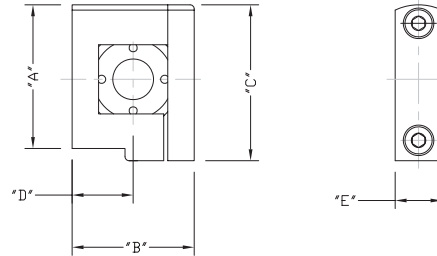
PART NUMBER	DIM 'A'	DIM 'B'	DIM 'C'	DIM 'D'	DIM 'E'	DIM 'F'	DIM 'G'	DIM 'H'	DIM 'J'
AB-2L	51.3 [2.02]	45.0 [1.77]	38.3 [1.51]	30.0 [1.18]	5.0 [0.20]	25.0 [0.98]	11.5 [0.45]	8.5 [0.33]	5.5 [0.22]
AB-3L	68.6 [2.70]	60.5 [2.38]	49.3 [1.94]	41.5 [1.63]	7.0 [0.28]	35.0 [1.38]	12.5 [0.49]	9.0 [0.35]	6.5 [0.26]
AB-4L	79.5 [3.13]	76.0 [2.99]	58.5 [2.30]	50.0 [1.97]	7.0 [0.28]	40.0 [1.57]	15.5 [0.61]	12.0 [0.47]	8.6 [0.34]
AB-6L	103.5 [4.07]	104.0 [4.09]	79.5 [3.13]	70.0 [2.76]	10.0 [0.39]	50.0 [1.97]	19.5 [0.77]	16.0 [0.63]	11.0 [0.43]

See our Web site [www.nitra.com](#) for complete Engineering drawings.

Dimensions

mm [inches]

AB-xU



PART NUMBER	DIM 'A'	DIM 'B'	DIM 'C'	DIM 'D'	DIM 'E'
AB-2U	35.5 [1.39]	30.0 [1.18]	38.3 [1.51]	15.0 [0.59]	11.5 [0.45]
AB-3U	43.8 [1.72]	38.0 [1.50]	49.3 [1.94]	19.5 [0.75]	12.5 [0.49]
AB-4U	52.5 [2.07]	52.0 [2.05]	58.5 [2.30]	26.0 [1.02]	15.5 [0.61]
AB-6U	76.5 [3.01]	68.0 [2.68]	79.5 [3.13]	34.0 [1.34]	19.5 [0.77]

See our Web site [_____](#)
for complete Engineering drawings.