



Part No. AGP-21



Part No. ADB-21



Part No. AB-4T



Part No. AB-4L



Part No. AB-4U

Pneumatic Air Preparation Accessories			
Part No.	Price	Description	Weight (lbs)
<b>AGP-21</b>		NITRA pneumatic gauge port adapter plate, 1/8 inch NPT female port, with mounting screws. Easy field assembly with NITRA pneumatic AR-2 series regulators and AFR-2 series filter / regulators.	0.03
<b>AGP-32</b>		NITRA pneumatic gauge port adapter plate, 1/4 inch NPT female port, with mounting screws. Easy field assembly with NITRA pneumatic AR-3, AR-4 and AR-6 series regulators and AFR-3, AFR-4 and AFR-6 series filter / regulators.	0.04
<b>ADB-21</b>		NITRA pneumatic distribution block with four (4) 1/8 inch NPT female ports. Modular design enables easy field assembly with NITRA pneumatic AF-21 series filters, AR-21 series regulators, AL-21 series lubricators and AFR-21 series filter / regulators.	0.1
<b>ADB-22</b>		NITRA pneumatic distribution block with four (4) 1/4 inch NPT female ports. Modular design enables easy field assembly with NITRA pneumatic AF-22 series filters, AR-22 series regulators, AL-22 series lubricators and AFR-22 series filter / regulators.	0.1
<b>ADB-32</b>		NITRA pneumatic distribution block with four (4) 1/4 inch NPT female ports. Modular design enables easy field assembly with NITRA pneumatic AF-32 series filters, AR-32 series regulators, AL-32 series lubricators and AFR-32 series filter / regulators.	0.2
<b>ADB-33</b>		NITRA pneumatic distribution block with four (4) 3/8 inch NPT female ports. Modular design enables easy field assembly with NITRA pneumatic AF-33 series filters, AR-33 series regulators, AL-33 series lubricators and AFR-33 series filter / regulators.	0.2
<b>ADB-44</b>		NITRA pneumatic distribution block with four (4) 1/2 inch NPT female ports. Modular design enables easy field assembly with NITRA pneumatic AF-44 series filters, AR-44 series regulators and AFR-44 series filter / regulators.	0.4
<b>AB-2T</b>		NITRA pneumatic modular assembly and mounting T-bracket with two mounting tangs, used to assemble and mount individual NITRA AF-2 series filters, AR-2 series regulators, AL-2 series lubricators and AFR-2 series filter/regulators as a combined unit	0.2
<b>AB-2L</b>		NITRA pneumatic modular assembly and mounting L-bracket with one mounting tang, used to assemble and mount individual NITRA AF-2 series filters, AR-2 series regulators, AL-2 series lubricators and AFR-2 series filter/regulators as a combined unit	0.2
<b>AB-2U</b>		NITRA pneumatic modular assembly U-bracket (no mounting tangs), used to assemble individual NITRA AF-2 series filters, AR-2 series regulators, AL-2 series lubricators and AFR-2 series filter/regulators as a combined unit	0.1
<b>AB-3T</b>		NITRA pneumatic modular assembly and mounting T-bracket with two mounting tangs, used to assemble and mount individual NITRA AF-3 series filters, AR-3 series regulators, AL-3 series lubricators and AFR-3 series filter/regulators as a combined unit	0.3
<b>AB-3L</b>		NITRA pneumatic modular assembly and mounting L-bracket with one mounting tang, used to assemble and mount individual NITRA AF-3 series filters, AR-3 series regulators, AL-3 series lubricators and AFR-3 series filter/regulators as a combined unit	0.3
<b>AB-3U</b>		NITRA pneumatic modular assembly U-bracket (no mounting tangs), used to assemble individual NITRA AF-3 series filters, AR-3 series regulators, AL-3 series lubricators and AFR-3 series filter/regulators as a combined unit	0.2
<b>AB-4T</b>		NITRA pneumatic modular assembly and mounting T-bracket with two mounting tangs, used to assemble and mount individual NITRA AF-4 series filters, AR-4 series regulators, AL-4 series lubricators and AFR-4 series filter/regulators as a combined unit	0.5
<b>AB-4L</b>		NITRA pneumatic modular assembly and mounting L-bracket with one mounting tang, used to assemble and mount individual NITRA AF-4 series filters, AR-4 series regulators, AL-4 series lubricators and AFR-4 series filter/regulators as a combined unit	0.5
<b>AB-4U</b>		NITRA pneumatic modular assembly U-bracket (no mounting tangs), used to assemble individual NITRA AF-4 series filters, AR-4 series regulators, AL-4 series lubricators and AFR-4 series filter/regulators as a combined unit	0.4
<b>AB-6T</b>		NITRA pneumatic modular assembly and mounting T-bracket with two mounting tangs, used to assemble and mount individual NITRA AF-6 series filters, AR-6 series regulators, AL-6 series lubricators and AFR-6 series filter/regulators as a combined unit	1.3
<b>AB-6L</b>		NITRA pneumatic modular assembly and mounting L-bracket with one mounting tang, used to assemble and mount individual NITRA AF-6 series filters, AR-6 series regulators, AL-6 series lubricators and AFR-6 series filter/regulators as a combined unit	1.2
<b>AB-6U</b>		NITRA pneumatic modular assembly U-bracket (no mounting tangs), used to assemble individual NITRA AF-6 series filters, AR-6 series regulators, AL-6 series lubricators and AFR-6 series filter/regulators as a combined unit	0.8



Part No. AFE2-43



Part No. AFE2-41



Part No. AFE-24



Part No. AFE-35

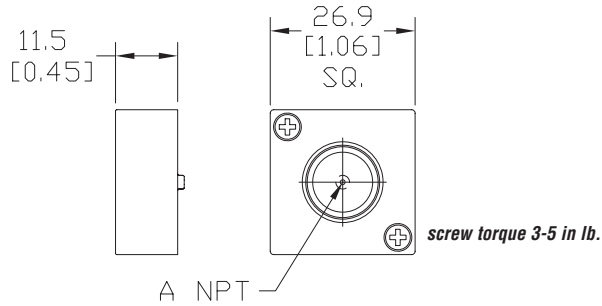
Pneumatic Air Preparation Accessories			
Part No.	Price	Description	Weight (lbs)
<b>NITRA Gen 2 Particulate Filters</b>			
<b>AFE2-23</b>		NITRA particulate filter element, replacement, 40 micron particles, high-density polyethylene (HDPE). For use with AF-2 series filters or AFR-2 series filter regulators.	0.01
<b>AFE2-33</b>		NITRA particulate filter element, replacement, 40 micron particles, high-density polyethylene (HDPE). For use with AF-3 series filters or AFR-3 series filter regulators.	0.01
<b>AFE2-43</b>		NITRA particulate filter element, replacement, 40 micron particles, high-density polyethylene (HDPE). For use with AF-4 series filters or AFR-4 series filter regulators.	0.01
<b>AFE2-63</b>		NITRA particulate filter element, replacement, 40 micron particles, high-density polyethylene (HDPE). For use with AF-6 series filters or AFR-6 series filter regulators.	0.04
<b>AFE2-21</b>		NITRA particulate filter element, replacement, 5 micron particles, high-density polyethylene (HDPE). For use with AF-2 series filters or AFR-2 series filter regulators.	0.01
<b>AFE2-31</b>		NITRA particulate filter element, replacement, 5 micron particles, high-density polyethylene (HDPE). For use with AF-3 series filters or AFR-3 series filter regulators.	0.01
<b>AFE2-41</b>		NITRA particulate filter element, replacement, 5 micron particles, high-density polyethylene (HDPE). For use with AF-4 series filters or AFR-4 series filter regulators.	0.01
<b>AFE2-61</b>		NITRA particulate filter element, replacement, 5 micron particles, high-density polyethylene (HDPE). For use with AF-6 series filters or AFR-6 series filter regulators.	0.04
<b>NITRA Coalescing Filters</b>			
<b>AFE-24</b>		NITRA coalescing oil removal filter element, replacement, 0.3 micron particles, borosilicate glass microfiber. For use with AC-2 series coalescing filters.	0.05
<b>AFE-34</b>		NITRA coalescing oil removal filter element, replacement, 0.3 micron particles, borosilicate glass microfiber. For use with AC-3 series coalescing filters.	0.05
<b>AFE-44</b>		NITRA coalescing oil removal filter element, replacement, 0.3 micron particles, borosilicate glass microfiber. For use with AC-4 series coalescing filters.	0.1
<b>AFE-25</b>		NITRA coalescing oil removal filter element, replacement, 0.01 micron particles, borosilicate glass microfiber. For use with AC-2 series coalescing filters.	0.04
<b>AFE-35</b>		NITRA coalescing oil removal filter element, replacement, 0.01 micron particles, borosilicate glass microfiber. For use with AC-3 series coalescing filters.	0.05
<b>AFE-45</b>		NITRA coalescing oil removal filter element, replacement, 0.01 micron particles, borosilicate glass microfiber. For use with AC-4 series coalescing filters.	0.1

## Dimensions

mm [inches]

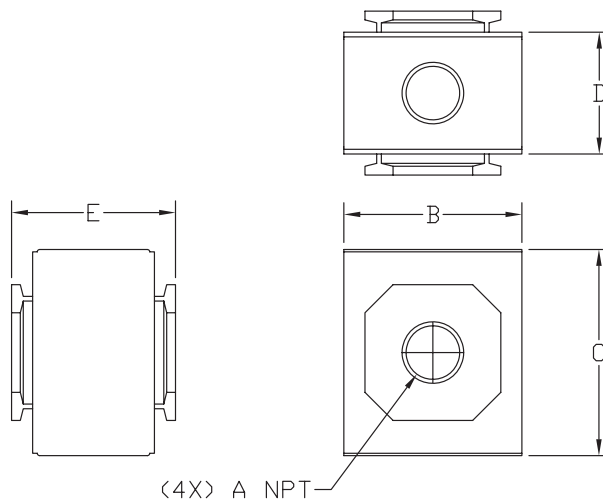
### AGP-x

PART NO.	A NPT
APG-21	1/8
APG-32	1/4



### ADB-x

PART NO.	A NPT	DIM B	DIM C	DIM D	DIM E
ADB-21	1/8	30.0 [1.18]	36.0 [1.42]	19.5 [0.77]	28.5 [1.12]
ADB-22	1/4	30.0 [1.18]	36.0 [1.42]	19.5 [0.77]	28.5 [1.12]
ADB-32	1/4	38.0 [1.50]	44.0 [1.73]	26.0 [1.02]	35.0 [1.38]
ADB-33	3/8	38.0 [1.50]	44.0 [1.73]	26.0 [1.02]	35.0 [1.38]
ADB-44	1/2	52.0 [2.05]	52.0 [2.05]	30.0 [1.18]	42.0 [1.65]



See our Web site [www.nitra.com](#) for complete Engineering drawings.

## Dimensions

mm [inches]

### AB-xT

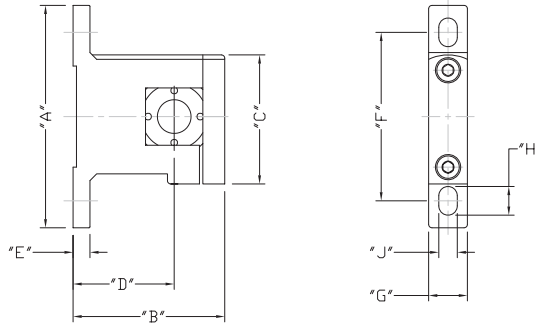


TABLE 1

PART NUMBER	DIM 'A'	DIM 'B'	DIM 'C'	DIM 'D'	DIM 'E'	DIM 'F'	DIM 'G'	DIM 'H'	DIM 'J'
AB-2T	66.0 [2.60]	45.0 [1.77]	38.3 [1.51]	30.0 [1.18]	5.0 [0.20]	50.0 [1.97]	11.5 [0.45]	8.5 [0.33]	5.5 [0.22]
AB-3T	88.0 [3.46]	60.5 [2.38]	49.3 [1.94]	41.5 [1.63]	7.0 [0.28]	70.0 [2.76]	12.5 [0.49]	9.0 [0.35]	6.5 [0.26]
AB-4T	104.0 [4.09]	76.0 [2.99]	58.5 [2.30]	50.0 [1.97]	7.0 [0.28]	80.0 [3.15]	15.5 [0.61]	12.0 [0.47]	8.6 [0.34]
AB-6T	128.0 [5.04]	104.0 [4.09]	79.5 [3.13]	70.0 [2.76]	10.0 [0.39]	100.0 [3.94]	19.5 [0.77]	16.0 [0.63]	11.0 [0.43]

### AB-xL

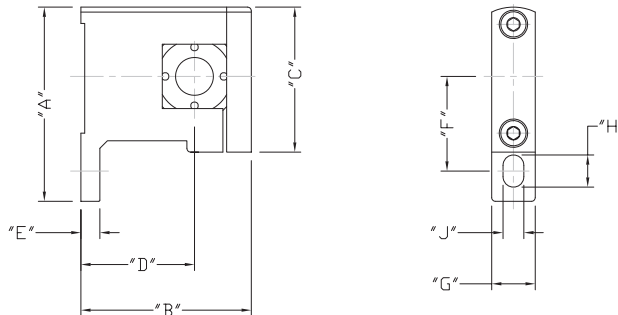


TABLE 1

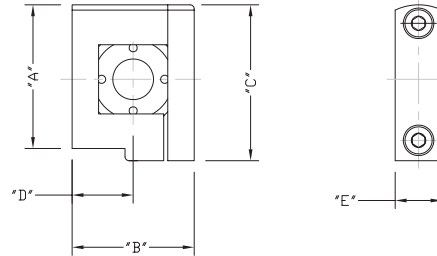
PART NUMBER	DIM 'A'	DIM 'B'	DIM 'C'	DIM 'D'	DIM 'E'	DIM 'F'	DIM 'G'	DIM 'H'	DIM 'J'
AB-2L	51.3 [2.02]	45.0 [1.77]	38.3 [1.51]	30.0 [1.18]	5.0 [0.20]	25.0 [0.98]	11.5 [0.45]	8.5 [0.33]	5.5 [0.22]
AB-3L	68.6 [2.70]	60.5 [2.38]	49.3 [1.94]	41.5 [1.63]	7.0 [0.28]	35.0 [1.38]	12.5 [0.49]	9.0 [0.35]	6.5 [0.26]
AB-4L	79.5 [3.13]	76.0 [2.99]	58.5 [2.30]	50.0 [1.97]	7.0 [0.28]	40.0 [1.57]	15.5 [0.61]	12.0 [0.47]	8.6 [0.34]
AB-6L	103.5 [4.07]	104.0 [4.09]	79.5 [3.13]	70.0 [2.76]	10.0 [0.39]	50.0 [1.97]	19.5 [0.77]	16.0 [0.63]	11.0 [0.43]

See our Web site [www.nitra.com](#) for complete Engineering drawings.

## Dimensions

mm [inches]

AB-xU



PART NUMBER	DIM 'A'	DIM 'B'	DIM 'C'	DIM 'D'	DIM 'E'
AB-2U	35.5 [1.39]	30.0 [1.18]	38.3 [1.51]	15.0 [0.59]	11.5 [0.45]
AB-3U	43.8 [1.72]	38.0 [1.50]	49.3 [1.94]	19.5 [0.75]	12.5 [0.49]
AB-4U	52.5 [2.07]	52.0 [2.05]	58.5 [2.30]	26.0 [1.02]	15.5 [0.61]
AB-6U	76.5 [3.01]	68.0 [2.68]	79.5 [3.13]	34.0 [1.34]	19.5 [0.77]

See our Web site [\\_\\_\\_\\_\\_](#)  
for complete Engineering drawings.