

Pneumatic Air Preparation - AR Series Regulators



Modular Assembly Example



AR-663



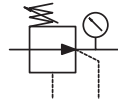
AR-323



AR-213



Mounting bracket included.



Air Regulator

NITRA™ pneumatic air pressure regulators are available with 1/8", 1/4", 3/8", 1/2", 3/4" or 1" NPT female port sizes and adjustable pressure ranges of 20-130 psi or 7-60 psi to meet a broad range of pneumatic air supply pressure regulation applications. These regulators feature a locking pressure adjustment knob and integral pressure gauge. Provided with a mounting bracket for stand-alone applications, the modular design also enables easy field assembly for combining with NITRA pneumatic filters and lubricators (using modular assembly brackets purchased separately). The standard mounting orientation is with the adjustment knob up, however, they can be mounted with the adjustment knob down by moving the pressure gauge to the opposite side to maintain left to right flow direction.

Features

- 1/8", 1/4", 3/8", 1/2", 3/4" and 1" NPT female port sizes
- Adjustable ranges of 20-130 psi or 7-60 psi
- Locking pressure adjustment knob
- Integral pressure gauge
- Mounting bracket provided for stand-alone applications
- Modular design enables easy field assembly for combining with NITRA filters and lubricators
- 2 year warranty

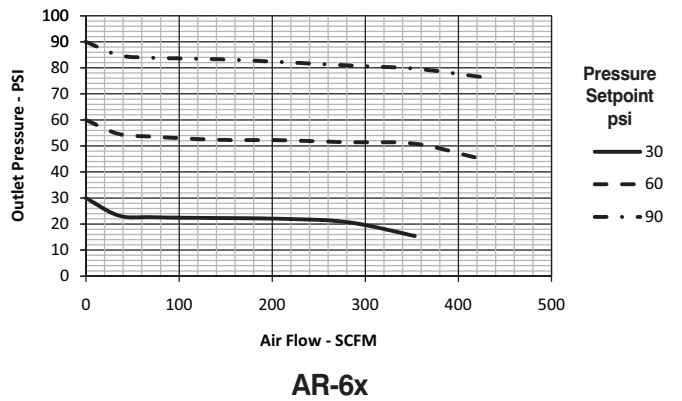
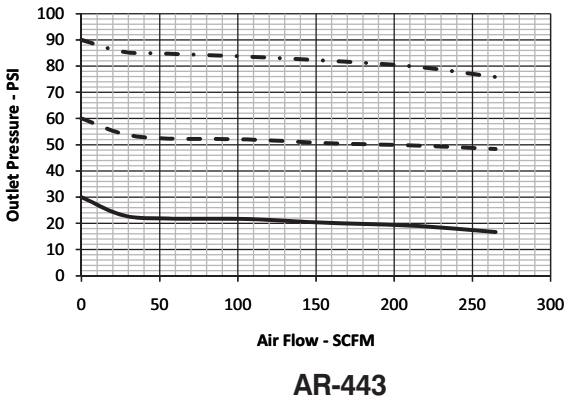
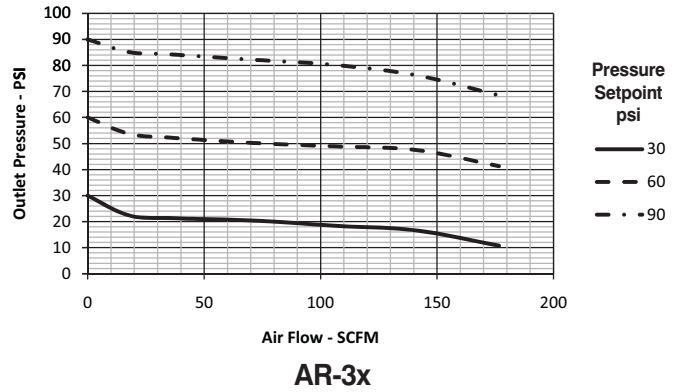
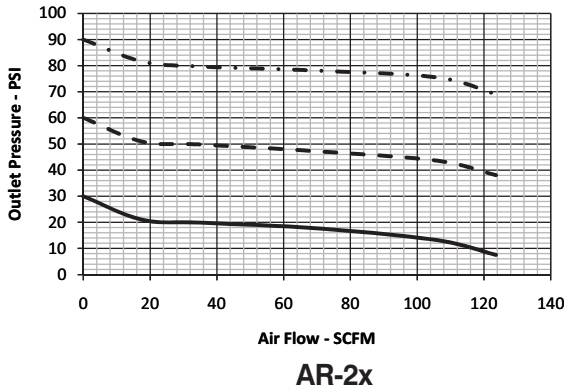


AR Series Regulators								
Part No.	Price	Weight (lbs)	Port Size	Fluid	Temperature	Operating Pressure	Maximum Pressure	Proof Pressure
AR-213	<-->	0.4	1/8"	Air	23~140°F (-5~60°C)	20~130psi (0.15~0.8MPa) (1.5~8.0 bar)	145psi (1.0MPa) (10.0 bar)	215psi (1.5MPa) (15.0 bar)
AR-323	<-->	0.8	1/4"					
AR-333	<-->	0.8	3/8"					
AR-443	<-->	1.6	1/2"					
AR-663	<-->	3.7	3/4"					
AR-683	<-->	3.7	1"					
AR-212	<-->	0.4	1/8"			7~60psi (0.05~0.42MPa) (0.5~4.2 bar)	72psi (0.5MPa) (5.0 bar)	
AR-322	<-->	0.8	1/4"					
AR-332	<-->	0.8	3/8"					



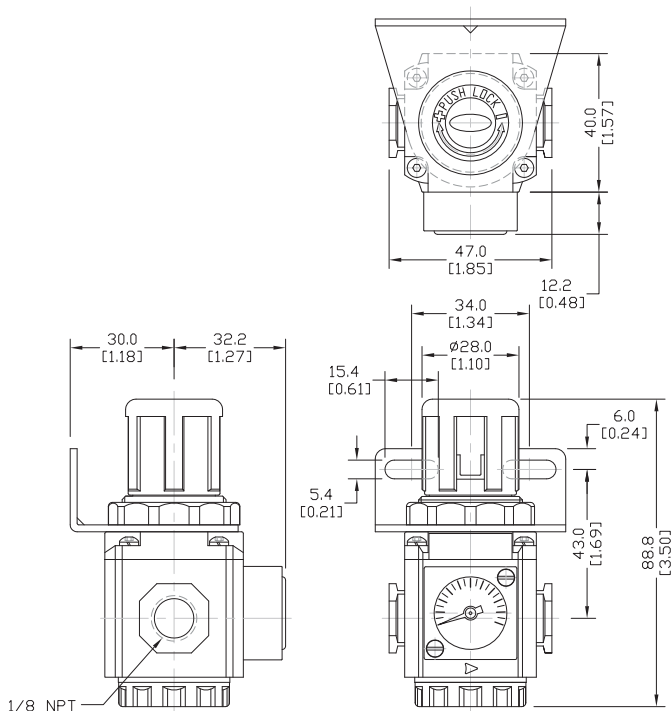
Pneumatic Air Preparation - AR Series Regulators

Performance Charts



Dimensions

AR-2x

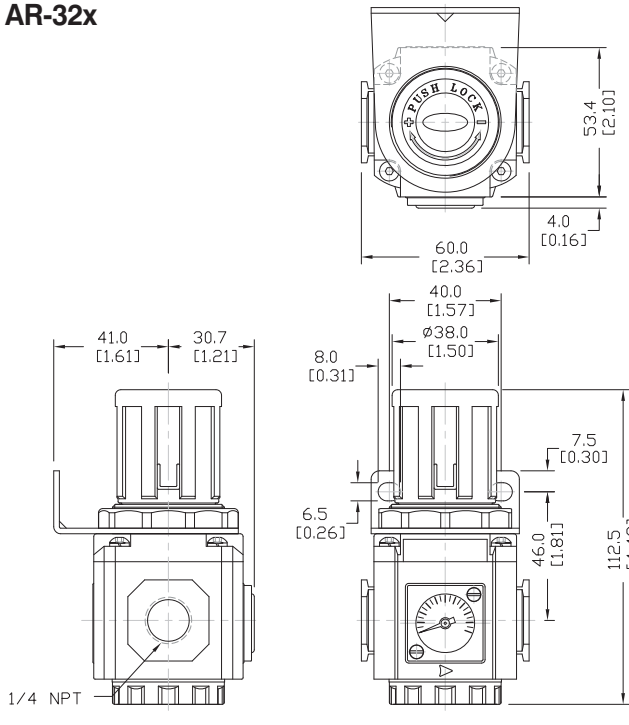


Dimensions in mm [inches]

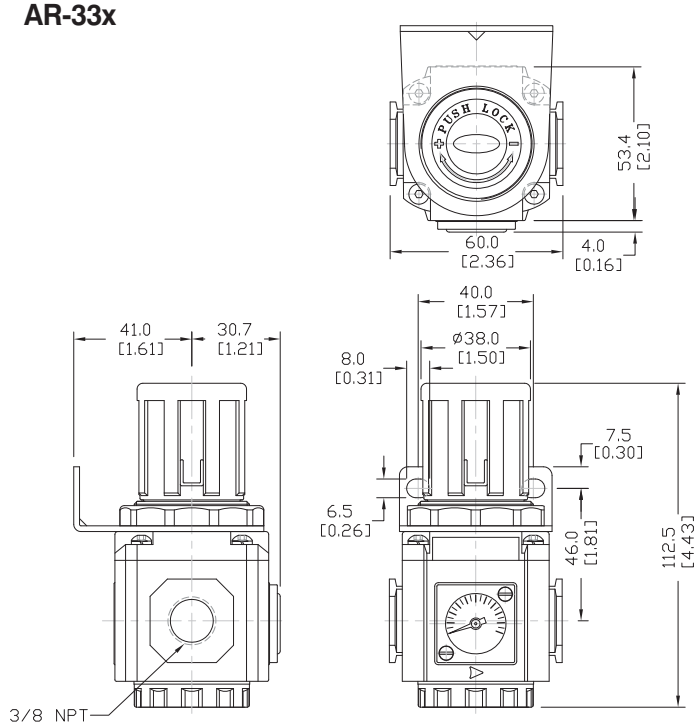
Pneumatic Air Preparation - AR Series Regulators

Dimensions

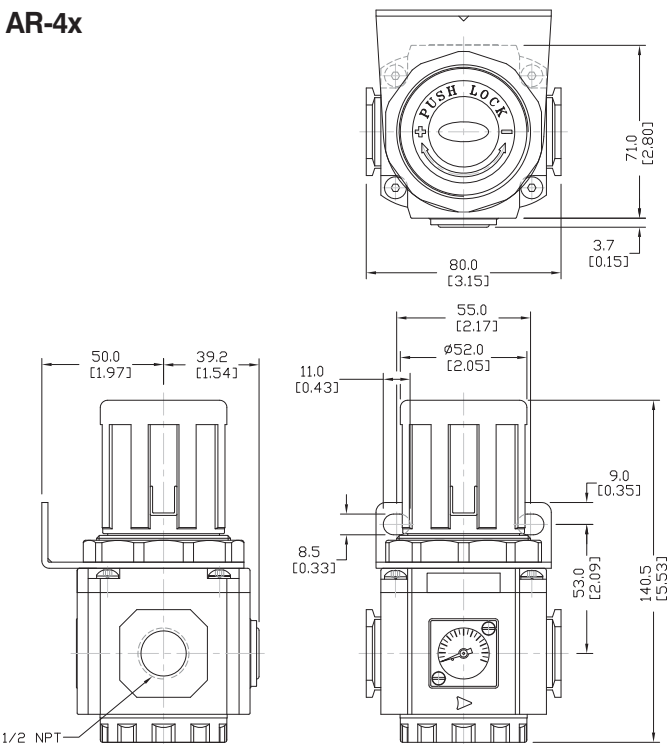
AR-32x



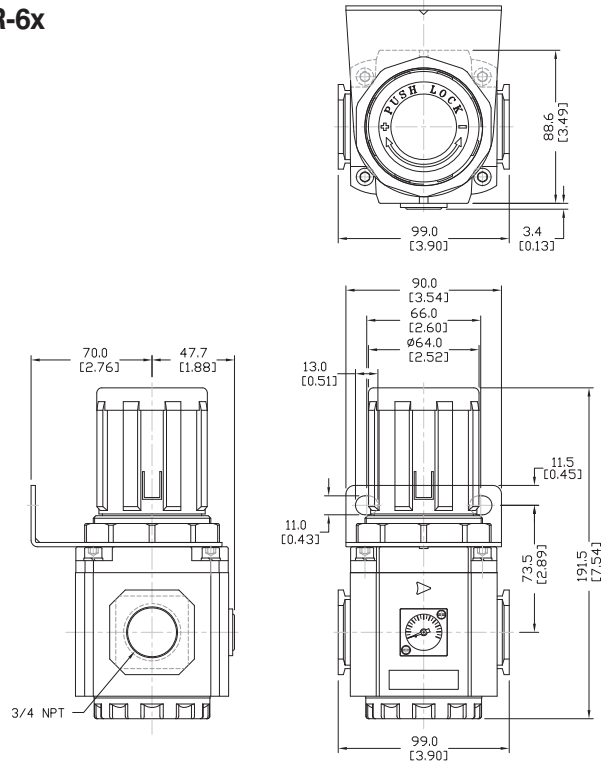
AR-33x



AR-4x



AR-6x



Dimensions in mm [inches]

Note: Unit dimensions are the same for listed models; port NPT varies based on model. See specification tables for port NPT size.

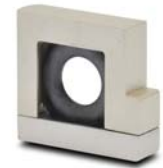
Pneumatic Air Preparation Accessories			
Part No.	Price	Description	Weight (lbs)
AB-2T	<--->	NITRA (tm) pneumatic modular assembly and mounting T-bracket with two mounting tangs, used to assemble and mount individual NITRA AF-2 series filters, AR-2 series regulators, AL-2 series lubricators and AFR-2 series filter/regulators as a combined unit	0.2
AB-2L	<--->	NITRA (tm) pneumatic modular assembly and mounting L-bracket with one mounting tang, used to assemble and mount individual NITRA AF-2 series filters, AR-2 series regulators, AL-2 series lubricators and AFR-2 series filter/regulators as a combined unit	0.2
AB-2U	<--->	NITRA (tm) pneumatic modular assembly U-bracket (no mounting tangs), used to assemble individual NITRA AF-2 series filters, AR-2 series regulators, AL-2 series lubricators and AFR-2 series filter/regulators as a combined unit	0.1
AB-3T	<--->	NITRA (tm) pneumatic modular assembly and mounting T-bracket with two mounting tangs, used to assemble and mount individual NITRA AF-3 series filters, AR-3 series regulators, AL-3 series lubricators and AFR-3 series filter/regulators as a combined unit	0.3
AB-3L	<--->	NITRA (tm) pneumatic modular assembly and mounting L-bracket with one mounting tang, used to assemble and mount individual NITRA AF-3 series filters, AR-3 series regulators, AL-3 series lubricators and AFR-3 series filter/regulators as a combined unit	0.3
AB-3U	<--->	NITRA (tm) pneumatic modular assembly U-bracket (no mounting tangs), used to assemble individual NITRA AF-3 series filters, AR-3 series regulators, AL-3 series lubricators and AFR-3 series filter/regulators as a combined unit	0.2
AB-4T	<--->	NITRA (tm) pneumatic modular assembly and mounting T-bracket with two mounting tangs, used to assemble and mount individual NITRA AF-4 series filters, AR-4 series regulators, AL-4 series lubricators and AFR-4 series filter/regulators as a combined unit	0.5
AB-4L	<--->	NITRA (tm) pneumatic modular assembly and mounting L-bracket with one mounting tang, used to assemble and mount individual NITRA AF-4 series filters, AR-4 series regulators, AL-4 series lubricators and AFR-4 series filter/regulators as a combined unit	0.5
AB-4U	<--->	NITRA (tm) pneumatic modular assembly U-bracket (no mounting tangs), used to assemble individual NITRA AF-4 series filters, AR-4 series regulators, AL-4 series lubricators and AFR-4 series filter/regulators as a combined unit	0.4
AB-6T	<--->	NITRA (tm) pneumatic modular assembly and mounting T-bracket with two mounting tangs, used to assemble and mount individual NITRA AF-6 series filters, AR-6 series regulators, AL-6 series lubricators and AFR-6 series filter/regulators as a combined unit	1.3
AB-6L	<--->	NITRA (tm) pneumatic modular assembly and mounting L-bracket with one mounting tang, used to assemble and mount individual NITRA AF-6 series filters, AR-6 series regulators, AL-6 series lubricators and AFR-6 series filter/regulators as a combined unit	1.2
AB-6U	<--->	NITRA (tm) pneumatic modular assembly U-bracket (no mounting tangs), used to assemble individual NITRA AF-6 series filters, AR-6 series regulators, AL-6 series lubricators and AFR-6 series filter/regulators as a combined unit	0.8
AFE-23	<--->	NITRA (tm) replacement filter element, tin-copper, 40 micron, for AF-2 series filters or AFR-2 series filter/regulators	0.1
AFE-33	<--->	NITRA (tm) replacement filter element, tin-copper, 40 micron, for AF-3 series filters or AFR-3 series filter/regulators	0.1
AFE-43	<--->	NITRA (tm) replacement filter element, tin-copper, 40 micron, for AF-4 series filters or AFR-4 series filter/regulators	0.1
AFE-63	<--->	NITRA (tm) replacement filter element, tin-copper, 40 micron, for AF-6 series filters or AFR-6 series filter/regulators	0.4
AFE-21	<--->	NITRA (tm) replacement filter element, fiber, 5 micron, for AF-2 series filters or AFR-2 series filter/regulators	0.1
AFE-31	<--->	NITRA (tm) replacement filter element, fiber, 5 micron, for AF-3 series filters or AFR-3 series filter/regulators	0.1
AFE-41	<--->	NITRA (tm) replacement filter element, fiber, 5 micron, for AF-4 series filters or AFR-4 series filter/regulators	0.1
AFE-61	<--->	NITRA (tm) replacement filter element, tin-copper, 5 micron, for AF-6 series filters or AFR-6 series filter/regulators	0.4



Part No. AB-4T



Part No. AB-4L



Part No. AB-4U



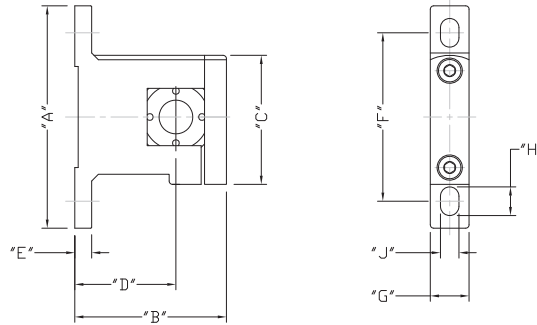
Part No. AFE-43



Part No. AFE-41

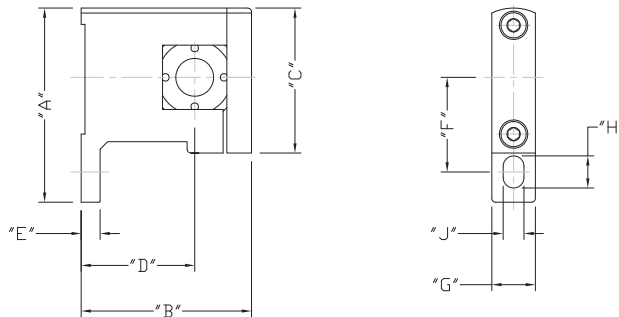
Dimensions

AB-xT



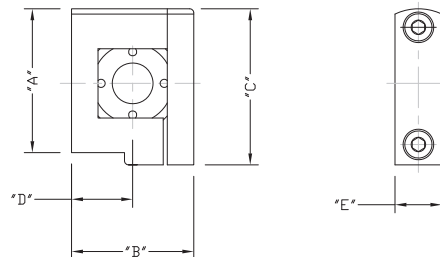
PART NUMBER	DIM "A"	DIM "B"	DIM "C"	DIM "D"	DIM "E"	DIM "F"	DIM "G"	DIM "H"	DIM "J"
AB-2T	66.0 [2.60]	45.0 [1.77]	38.3 [1.51]	30.0 [1.18]	5.0 [0.20]	50.0 [1.97]	11.5 [0.45]	8.5 [0.33]	5.5 [0.22]
AB-3T	88.0 [3.46]	60.5 [2.38]	49.3 [1.94]	41.5 [1.63]	7.0 [0.28]	70.0 [2.76]	12.5 [0.49]	9.0 [0.35]	6.5 [0.26]
AB-4T	104.0 [4.09]	76.0 [2.99]	58.5 [2.30]	50.0 [1.97]	7.0 [0.28]	80.0 [3.15]	15.5 [0.61]	12.0 [0.47]	8.6 [0.34]
AB-6T	128.0 [5.04]	104.0 [4.09]	79.5 [3.13]	70.0 [2.76]	10.0 [0.39]	100.0 [3.94]	19.5 [0.77]	16.0 [0.63]	11.0 [0.43]

AB-xL



PART NUMBER	DIM "A"	DIM "B"	DIM "C"	DIM "D"	DIM "E"	DIM "F"	DIM "G"	DIM "H"	DIM "J"
AB-2L	51.3 [2.02]	45.0 [1.77]	38.3 [1.51]	30.0 [1.18]	5.0 [0.20]	25.0 [0.98]	11.5 [0.45]	8.5 [0.33]	5.5 [0.22]
AB-3L	68.6 [2.70]	60.5 [2.38]	49.3 [1.94]	41.5 [1.63]	7.0 [0.28]	35.0 [1.38]	12.5 [0.49]	9.0 [0.35]	6.5 [0.26]
AB-4L	79.5 [3.13]	76.0 [2.99]	58.5 [2.30]	50.0 [1.97]	7.0 [0.28]	40.0 [1.57]	15.5 [0.61]	12.0 [0.47]	8.6 [0.34]
AB-6L	103.5 [4.07]	104.0 [4.09]	79.5 [3.13]	70.0 [2.76]	10.0 [0.39]	50.0 [1.97]	19.5 [0.77]	16.0 [0.63]	11.0 [0.43]

AB-xU



PART NUMBER	DIM "A"	DIM "B"	DIM "C"	DIM "D"	DIM "E"
AB-2U	35.5 [1.39]	30.0 [1.18]	38.3 [1.51]	15.0 [0.59]	11.5 [0.45]
AB-3U	43.8 [1.72]	38.0 [1.50]	49.3 [1.94]	19.5 [0.75]	12.5 [0.49]
AB-4U	52.5 [2.07]	52.0 [2.05]	58.5 [2.30]	26.0 [1.02]	15.5 [0.61]
AB-6U	76.5 [3.01]	68.0 [2.68]	79.5 [3.13]	34.0 [1.34]	19.5 [0.77]

Dimensions in mm [inches]