



Pneumatic Air Preparation - AR2 Series Regulators



Modular Assembly Example



AR2-663



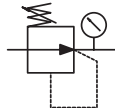
AR2-323



AR2-213



Mounting bracket included.



Air Regulator

NITRA® pneumatic air pressure regulators are available with 1/8", 1/4", 3/8", 1/2", 3/4" or 1" NPT female port sizes and adjustable pressure ranges of 7-130 psi or 7-60 psi to meet a broad range of pneumatic air supply pressure regulation applications. These regulators feature a locking pressure adjustment knob and integral pressure gauge. The regulators will relieve downstream pressure if the setpoint is reduced.

Regulators are provided with a mounting bracket for stand-alone applications. The modular design also enables easy field assembly for combining with NITRA pneumatic filters and lubricators (using modular assembly brackets purchased separately). The standard mounting orientation is with the adjustment knob up, however, they can be mounted with the adjustment knob down by moving the pressure gauge to the opposite side to maintain left-to-right flow direction.

Features

- 1/8", 1/4", 3/8", 1/2", 3/4" and 1" NPT female port sizes
- Adjustable ranges of 7-130 psi or 7-60 psi
- Locking pressure adjustment knob
- Integral pressure gauge
- Mounting bracket provided for stand-alone applications
- Modular design enables easy field assembly for combining with NITRA filters and lubricators
- 2 year warranty



See for a wide variety of fitting options

| AR2 Series Regulators | | | | | | | | | |
|-----------------------|-------|--------------|------------------|-------|-------------------------------|--|-------------------------------|--------------------------------|---------------------|
| Part No. | Price | Weight (lbs) | Port Size (FNPT) | Fluid | Temperature | Operating Pressure | Maximum Pressure | Proof Pressure | Drawing Link |
| AR2-212 | | 0.53 | 1/8" | Air | -20°C to 70°C (-4°F to 158°F) | 7-60psi (0.05-0.41MPa) (0.5-4.1 bar) | 60psi (0.41MPa) (4.1 bar) | 215psi (1.5MPa) (15 bar) | PDF |
| AR2-213 | | 0.54 | | | | 7-130psi (0.05-0.90MPa) (0.5-9.0 bar) | 130psi (0.90MPa) (9.0 bar) | | PDF |
| AR2-222 | | 0.53 | 1/4" | | | 7-60psi (0.05-0.41MPa) (0.5-4.1 bar) | 60psi (0.41MPa) (4.1 bar) | | PDF |
| AR2-223 | | 0.53 | | | | 7-130psi (0.05-0.90MPa) (0.5-9.0 bar) | 130psi (0.90MPa) (9.0 bar) | | PDF |
| AR2-322 | | 0.84 | | | | 7-60psi (0.05-0.41MPa) (0.5-4.1 bar) | 60psi (0.41MPa) (4.1 bar) | | PDF |
| AR2-323 | | 0.85 | | | | 7-130psi (0.05-0.90MPa) (0.5-9.0 bar) | 130psi (0.90MPa) (9.0 bar) | | PDF |
| AR2-332 | | 0.81 | 3/8" | | | 7-60psi (0.05-0.41MPa) (0.5-4.1 bar) | 60psi (0.41MPa) (4.1 bar) | | PDF |
| AR2-333 | | 0.83 | | | | PDF | | | |
| AR2-443 | | 1.58 | 1/2" | | | 7-130psi (0.05-0.90MPa) (0.5-9.0 bar) | 130psi (0.90MPa) (9.0 bar) | | PDF |
| AR2-663 | | 4.13 | 3/4" | | | PDF | | | |
| AR2-683 | | 4.07 | 1" | | | PDF | | | |

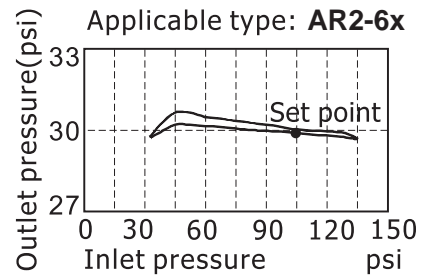
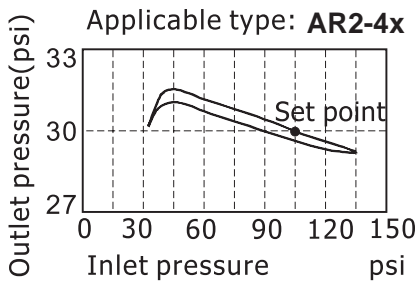
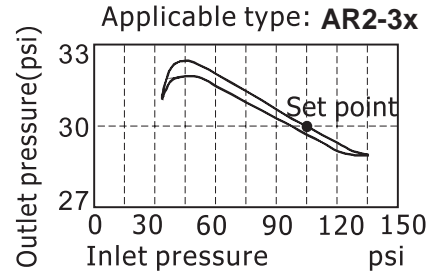
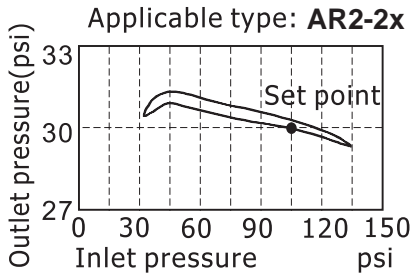
See our Web site for complete Engineering drawings.



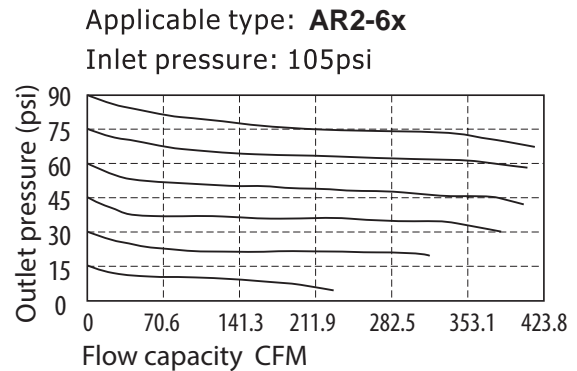
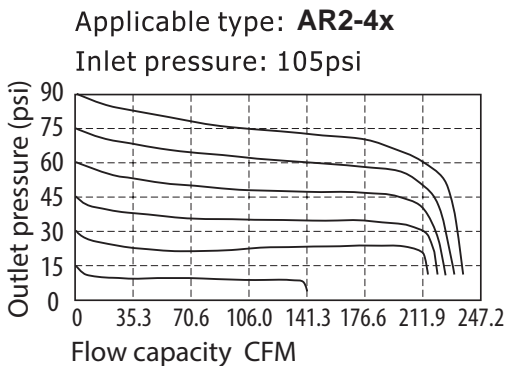
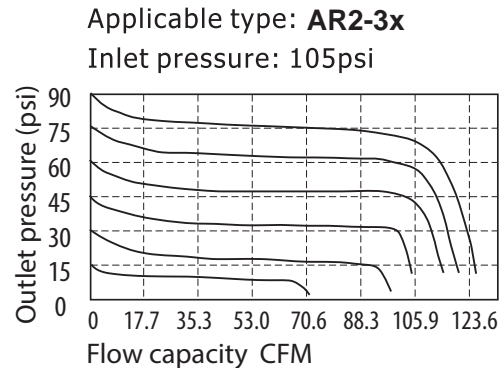
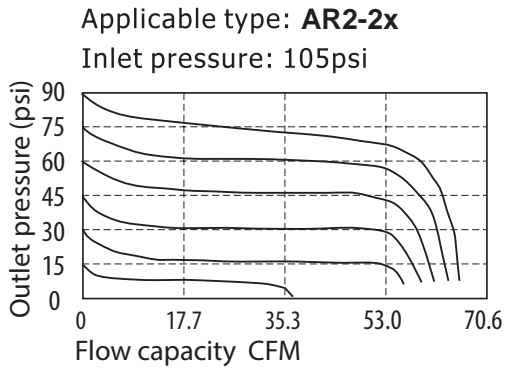
Pneumatic Air Preparation - AR2 Series Regulators

Performance Charts

Pressure chart



Flow chart





GEN 2 Pneumatic Air Prep Accessories



Part No. AGP2-21



Part No. AGP2-31



Part No. AGP2-42

| GEN 2 Pneumatic Air Preparation Accessories | | | | |
|---|-------|--|--------------|---------------------|
| Part No. | Price | Description | Weight (lbs) | Drawing Link |
| AGP2-21 | | NITRA pneumatic gauge port adapter plate, 1/8in female NPT connection(s), aluminum. For use with Ax-2 series air prep components. (3) o-rings included. | 0.02 | PDF |
| AGP2-31 | | NITRA pneumatic gauge port adapter plate, 1/8in female NPT connection(s), aluminum. For use with Ax-3 series air prep components. (3) o-rings included. | 0.04 | PDF |
| AGP2-42 | | NITRA pneumatic gauge port adapter plate, 1/4in female NPT connection(s), aluminum. For use with Ax-4 and Ax-6 series air prep components. (3) o-rings included. | 0.04 | PDF |



Part No. AGP-21



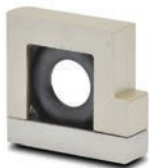
Part No. ADB-21



Part No. AB-4T



Part No. AB-4L



Part No. AB-4U

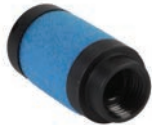
| Pneumatic Air Preparation Accessories | | | |
|---------------------------------------|-------|--|--------------|
| Part No. | Price | Description | Weight (lbs) |
| AGP-21 | | NITRA pneumatic gauge port adapter plate, 1/8 inch NPT female port, with mounting screws. Easy field assembly with NITRA pneumatic AR-2 series regulators and AFR-2 series filter / regulators. | 0.03 |
| AGP-32 | | NITRA pneumatic gauge port adapter plate, 1/4 inch NPT female port, with mounting screws. Easy field assembly with NITRA pneumatic AR-3, AR-4 and AR-6 series regulators and AFR-3, AFR-4 and AFR-6 series filter / regulators. | 0.04 |
| ADB-21 | | NITRA pneumatic distribution block with four (4) 1/8 inch NPT female ports. Modular design enables easy field assembly with NITRA pneumatic AF-21 series filters, AR-21 series regulators, AL-21 series lubricators and AFR-21 series filter / regulators. | 0.1 |
| ADB-22 | | NITRA pneumatic distribution block with four (4) 1/4 inch NPT female ports. Modular design enables easy field assembly with NITRA pneumatic AF-22 series filters, AR-22 series regulators, AL-22 series lubricators and AFR-22 series filter / regulators. | 0.1 |
| ADB-32 | | NITRA pneumatic distribution block with four (4) 1/4 inch NPT female ports. Modular design enables easy field assembly with NITRA pneumatic AF-32 series filters, AR-32 series regulators, AL-32 series lubricators and AFR-32 series filter / regulators. | 0.2 |
| ADB-33 | | NITRA pneumatic distribution block with four (4) 3/8 inch NPT female ports. Modular design enables easy field assembly with NITRA pneumatic AF-33 series filters, AR-33 series regulators, AL-33 series lubricators and AFR-33 series filter / regulators. | 0.2 |
| ADB-44 | | NITRA pneumatic distribution block with four (4) 1/2 inch NPT female ports. Modular design enables easy field assembly with NITRA pneumatic AF-44 series filters, AR-44 series regulators and AFR-44 series filter / regulators. | 0.4 |
| AB-2T | | NITRA pneumatic modular assembly and mounting T-bracket with two mounting tangs, used to assemble and mount individual NITRA AF-2 series filters, AR-2 series regulators, AL-2 series lubricators and AFR-2 series filter/regulators as a combined unit | 0.2 |
| AB-2L | | NITRA pneumatic modular assembly and mounting L-bracket with one mounting tang, used to assemble and mount individual NITRA AF-2 series filters, AR-2 series regulators, AL-2 series lubricators and AFR-2 series filter/regulators as a combined unit | 0.2 |
| AB-2U | | NITRA pneumatic modular assembly U-bracket (no mounting tangs), used to assemble individual NITRA AF-2 series filters, AR-2 series regulators, AL-2 series lubricators and AFR-2 series filter/regulators as a combined unit | 0.1 |
| AB-3T | | NITRA pneumatic modular assembly and mounting T-bracket with two mounting tangs, used to assemble and mount individual NITRA AF-3 series filters, AR-3 series regulators, AL-3 series lubricators and AFR-3 series filter/regulators as a combined unit | 0.3 |
| AB-3L | | NITRA pneumatic modular assembly and mounting L-bracket with one mounting tang, used to assemble and mount individual NITRA AF-3 series filters, AR-3 series regulators, AL-3 series lubricators and AFR-3 series filter/regulators as a combined unit | 0.3 |
| AB-3U | | NITRA pneumatic modular assembly U-bracket (no mounting tangs), used to assemble individual NITRA AF-3 series filters, AR-3 series regulators, AL-3 series lubricators and AFR-3 series filter/regulators as a combined unit | 0.2 |
| AB-4T | | NITRA pneumatic modular assembly and mounting T-bracket with two mounting tangs, used to assemble and mount individual NITRA AF-4 series filters, AR-4 series regulators, AL-4 series lubricators and AFR-4 series filter/regulators as a combined unit | 0.5 |
| AB-4L | | NITRA pneumatic modular assembly and mounting L-bracket with one mounting tang, used to assemble and mount individual NITRA AF-4 series filters, AR-4 series regulators, AL-4 series lubricators and AFR-4 series filter/regulators as a combined unit | 0.5 |
| AB-4U | | NITRA pneumatic modular assembly U-bracket (no mounting tangs), used to assemble individual NITRA AF-4 series filters, AR-4 series regulators, AL-4 series lubricators and AFR-4 series filter/regulators as a combined unit | 0.4 |
| AB-6T | | NITRA pneumatic modular assembly and mounting T-bracket with two mounting tangs, used to assemble and mount individual NITRA AF-6 series filters, AR-6 series regulators, AL-6 series lubricators and AFR-6 series filter/regulators as a combined unit | 1.3 |
| AB-6L | | NITRA pneumatic modular assembly and mounting L-bracket with one mounting tang, used to assemble and mount individual NITRA AF-6 series filters, AR-6 series regulators, AL-6 series lubricators and AFR-6 series filter/regulators as a combined unit | 1.2 |
| AB-6U | | NITRA pneumatic modular assembly U-bracket (no mounting tangs), used to assemble individual NITRA AF-6 series filters, AR-6 series regulators, AL-6 series lubricators and AFR-6 series filter/regulators as a combined unit | 0.8 |



Part No. AFE2-43



Part No. AFE2-41



Part No. AFE-24



Part No. AFE-35

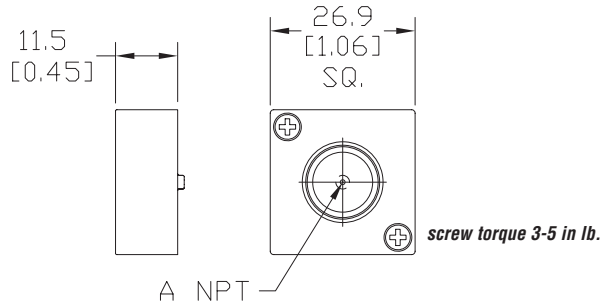
| Pneumatic Air Preparation Accessories | | | |
|--|-------|---|--------------|
| Part No. | Price | Description | Weight (lbs) |
| NITRA Gen 2 Particulate Filters | | | |
| AFE2-23 | | NITRA particulate filter element, replacement, 40 micron particles, high-density polyethylene (HDPE). For use with AF-2 series filters or AFR-2 series filter regulators. | 0.01 |
| AFE2-33 | | NITRA particulate filter element, replacement, 40 micron particles, high-density polyethylene (HDPE). For use with AF-3 series filters or AFR-3 series filter regulators. | 0.01 |
| AFE2-43 | | NITRA particulate filter element, replacement, 40 micron particles, high-density polyethylene (HDPE). For use with AF-4 series filters or AFR-4 series filter regulators. | 0.01 |
| AFE2-63 | | NITRA particulate filter element, replacement, 40 micron particles, high-density polyethylene (HDPE). For use with AF-6 series filters or AFR-6 series filter regulators. | 0.04 |
| AFE2-21 | | NITRA particulate filter element, replacement, 5 micron particles, high-density polyethylene (HDPE). For use with AF-2 series filters or AFR-2 series filter regulators. | 0.01 |
| AFE2-31 | | NITRA particulate filter element, replacement, 5 micron particles, high-density polyethylene (HDPE). For use with AF-3 series filters or AFR-3 series filter regulators. | 0.01 |
| AFE2-41 | | NITRA particulate filter element, replacement, 5 micron particles, high-density polyethylene (HDPE). For use with AF-4 series filters or AFR-4 series filter regulators. | 0.01 |
| AFE2-61 | | NITRA particulate filter element, replacement, 5 micron particles, high-density polyethylene (HDPE). For use with AF-6 series filters or AFR-6 series filter regulators. | 0.04 |
| NITRA Coalescing Filters | | | |
| AFE-24 | | NITRA coalescing oil removal filter element, replacement, 0.3 micron particles, borosilicate glass microfiber. For use with AC-2 series coalescing filters. | 0.05 |
| AFE-34 | | NITRA coalescing oil removal filter element, replacement, 0.3 micron particles, borosilicate glass microfiber. For use with AC-3 series coalescing filters. | 0.05 |
| AFE-44 | | NITRA coalescing oil removal filter element, replacement, 0.3 micron particles, borosilicate glass microfiber. For use with AC-4 series coalescing filters. | 0.1 |
| AFE-25 | | NITRA coalescing oil removal filter element, replacement, 0.01 micron particles, borosilicate glass microfiber. For use with AC-2 series coalescing filters. | 0.04 |
| AFE-35 | | NITRA coalescing oil removal filter element, replacement, 0.01 micron particles, borosilicate glass microfiber. For use with AC-3 series coalescing filters. | 0.05 |
| AFE-45 | | NITRA coalescing oil removal filter element, replacement, 0.01 micron particles, borosilicate glass microfiber. For use with AC-4 series coalescing filters. | 0.1 |

Dimensions

mm [inches]

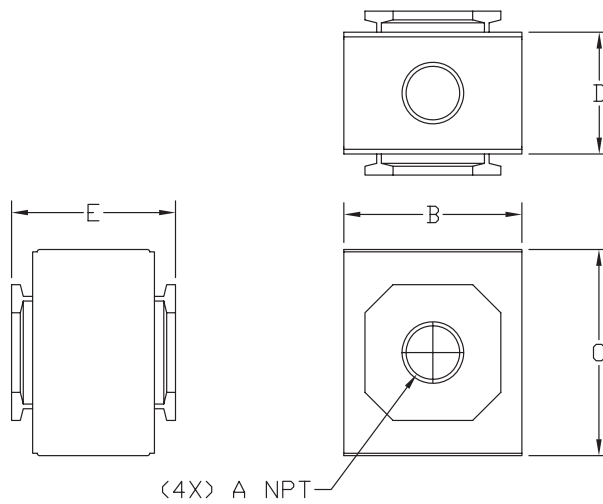
AGP-x

| PART NO. | A NPT |
|----------|-------|
| APG-21 | 1/8 |
| APG-32 | 1/4 |



ADB-x

| PART NO. | A NPT | DIM B | DIM C | DIM D | DIM E |
|----------|-------|-------------|-------------|-------------|-------------|
| ADB-21 | 1/8 | 30.0 [1.18] | 36.0 [1.42] | 19.5 [0.77] | 28.5 [1.12] |
| ADB-22 | 1/4 | 30.0 [1.18] | 36.0 [1.42] | 19.5 [0.77] | 28.5 [1.12] |
| ADB-32 | 1/4 | 38.0 [1.50] | 44.0 [1.73] | 26.0 [1.02] | 35.0 [1.38] |
| ADB-33 | 3/8 | 38.0 [1.50] | 44.0 [1.73] | 26.0 [1.02] | 35.0 [1.38] |
| ADB-44 | 1/2 | 52.0 [2.05] | 52.0 [2.05] | 30.0 [1.18] | 42.0 [1.65] |



See our Web site [www.nitra.com](#)
for complete Engineering drawings.

Dimensions

mm [inches]

AB-xT

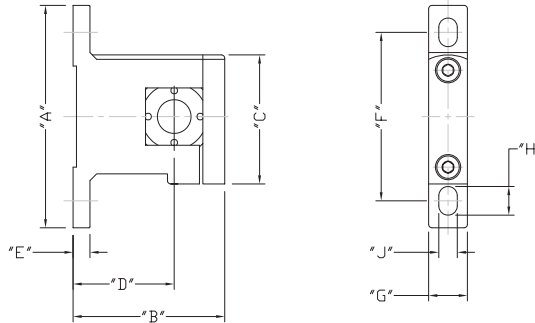


TABLE 1

| PART NUMBER | DIM 'A' | DIM 'B' | DIM 'C' | DIM 'D' | DIM 'E' | DIM 'F' | DIM 'G' | DIM 'H' | DIM 'J' |
|-------------|--------------|--------------|-------------|-------------|-------------|--------------|-------------|-------------|-------------|
| AB-2T | 66.0 [2.60] | 45.0 [1.77] | 38.3 [1.51] | 30.0 [1.18] | 5.0 [0.20] | 50.0 [1.97] | 11.5 [0.45] | 8.5 [0.33] | 5.5 [0.22] |
| AB-3T | 88.0 [3.46] | 60.5 [2.38] | 49.3 [1.94] | 41.5 [1.63] | 7.0 [0.28] | 70.0 [2.76] | 12.5 [0.49] | 9.0 [0.35] | 6.5 [0.26] |
| AB-4T | 104.0 [4.09] | 76.0 [2.99] | 58.5 [2.30] | 50.0 [1.97] | 7.0 [0.28] | 80.0 [3.15] | 15.5 [0.61] | 12.0 [0.47] | 8.6 [0.34] |
| AB-6T | 128.0 [5.04] | 104.0 [4.09] | 79.5 [3.13] | 70.0 [2.76] | 10.0 [0.39] | 100.0 [3.94] | 19.5 [0.77] | 16.0 [0.63] | 11.0 [0.43] |

AB-xL

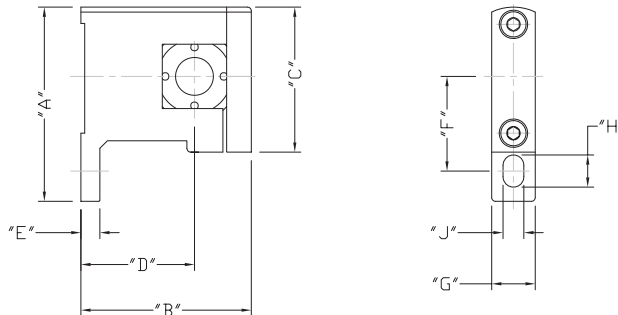


TABLE 1

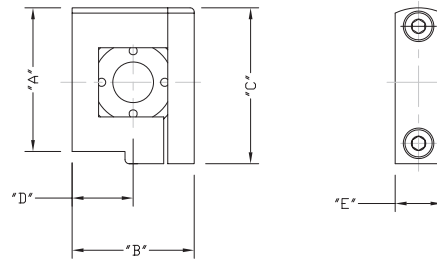
| PART NUMBER | DIM 'A' | DIM 'B' | DIM 'C' | DIM 'D' | DIM 'E' | DIM 'F' | DIM 'G' | DIM 'H' | DIM 'J' |
|-------------|--------------|--------------|-------------|-------------|-------------|-------------|-------------|-------------|-------------|
| AB-2L | 51.3 [2.02] | 45.0 [1.77] | 38.3 [1.51] | 30.0 [1.18] | 5.0 [0.20] | 25.0 [0.98] | 11.5 [0.45] | 8.5 [0.33] | 5.5 [0.22] |
| AB-3L | 68.6 [2.70] | 60.5 [2.38] | 49.3 [1.94] | 41.5 [1.63] | 7.0 [0.28] | 35.0 [1.38] | 12.5 [0.49] | 9.0 [0.35] | 6.5 [0.26] |
| AB-4L | 79.5 [3.13] | 76.0 [2.99] | 58.5 [2.30] | 50.0 [1.97] | 7.0 [0.28] | 40.0 [1.57] | 15.5 [0.61] | 12.0 [0.47] | 8.6 [0.34] |
| AB-6L | 103.5 [4.07] | 104.0 [4.09] | 79.5 [3.13] | 70.0 [2.76] | 10.0 [0.39] | 50.0 [1.97] | 19.5 [0.77] | 16.0 [0.63] | 11.0 [0.43] |

See our Web site [www.nitra.com](#) for complete Engineering drawings.

Dimensions

mm [inches]

AB-xU



| TABLE 1 | | | | | |
|-------------|-------------|-------------|-------------|-------------|-------------|
| PART NUMBER | DIM 'A' | DIM 'B' | DIM 'C' | DIM 'D' | DIM 'E' |
| AB-2U | 35.5 [1.39] | 30.0 [1.18] | 38.3 [1.51] | 15.0 [0.59] | 11.5 [0.45] |
| AB-3U | 43.8 [1.72] | 38.0 [1.50] | 49.3 [1.94] | 19.5 [0.75] | 12.5 [0.49] |
| AB-4U | 52.5 [2.07] | 52.0 [2.05] | 58.5 [2.30] | 26.0 [1.02] | 15.5 [0.61] |
| AB-6U | 76.5 [3.01] | 68.0 [2.68] | 79.5 [3.13] | 34.0 [1.34] | 19.5 [0.77] |

See our Web site [_____](#)
for complete Engineering drawings.