



# Pneumatic Air Preparation - ARV Series Manual Shut-off Pressure Relief Valves



ARV-21

ARV-32

ARV-44



Mounting bracket included.



Modular Assembly Example

NITRA® pneumatic manual shut-off pressure relief valves are available with 1/8", 1/4", 3/8" or 1/2" female port sizes to meet a broad range of pneumatic air supply applications. The three-way, two-position (3 threaded ports) design is used to shut off upstream pressure and relieve downstream pressure. The manually rotated knob can be locked out with the included padlock.

Provided with a mounting bracket for stand-alone applications, the modular design also enables easy field assembly with NITRA pneumatic filters, regulators and lubricators (using modular assembly brackets purchased separately).

## Features

- 1/8", 1/4", 3/8", and 1/2" NPT female port sizes
- Three-way, two-position (3 threaded ports) design is used to shut off upstream pressure and relieve down-stream pressure
- Manually rotated knob can be locked out with the provided padlock
- Mounting bracket provided for stand-alone applications
- Modular design enables easy field assembly with NITRA filters, regulators, lubricators and combination filter regulators
- 2 year warranty



Manual Shut-off Relief Valve



See for a wide variety of fitting options

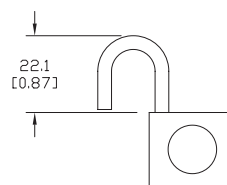
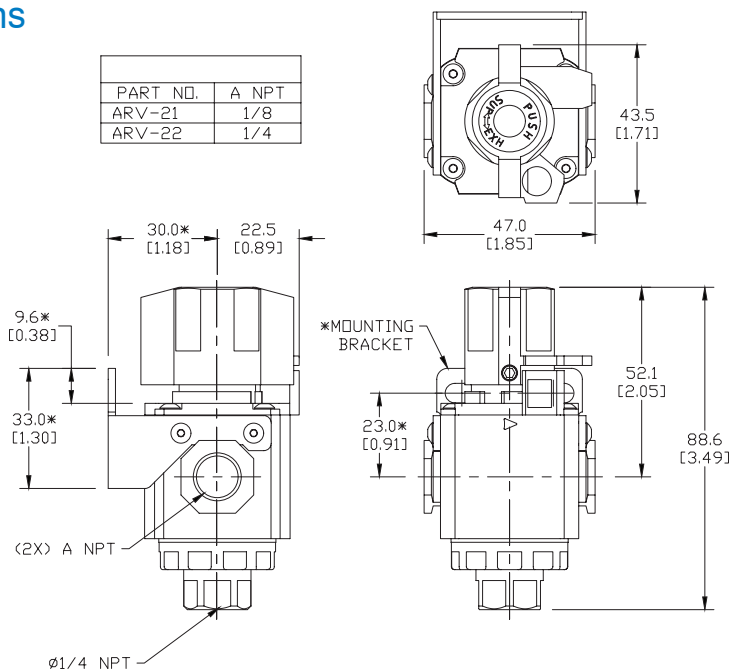
ARV Series Valves											
Part No.	Price	Weight (lbs)	Port Size	Fluid	Acting Type	Valve Type	Temperature	Operating Pressure	Maximum Pressure	Proof Pressure	Operation Angle
ARV-21		0.6	1/8"	Air	Manual	3 way 2 position (3 threaded ports)	-5-60°C (23-140°F)	20-130psi (0.15-0.90 MPa) (1.5-9.0 bar)	130psi (0.90MPa) (9.0 bar)	215psi (1.5MPa) (15 bar)	90°
ARV-22		0.6	1/4"								
ARV-32		1.3	1/4"								
ARV-33		1.3	3/8"								
ARV-44		2.1	1/2"								

## Dimensions

mm [inches]

ARV-2x

PART NO.	A NPT
ARV-21	1/8
ARV-22	1/4



Note: lock included with valve

Note: Unit dimensions are the same for listed models, port NPT varies based on model. See our Web site [www.AutomationDirect.com](http://www.AutomationDirect.com) for complete Engineering drawings.



# Pneumatic Air Preparation - ARV Series

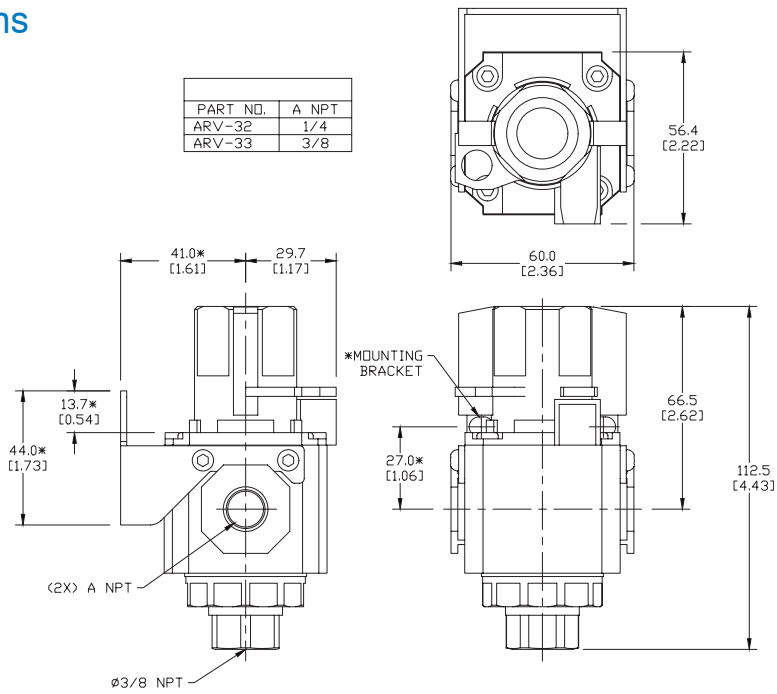
## Manual Shut-off Pressure Relief Valves

### Dimensions

mm [inches]

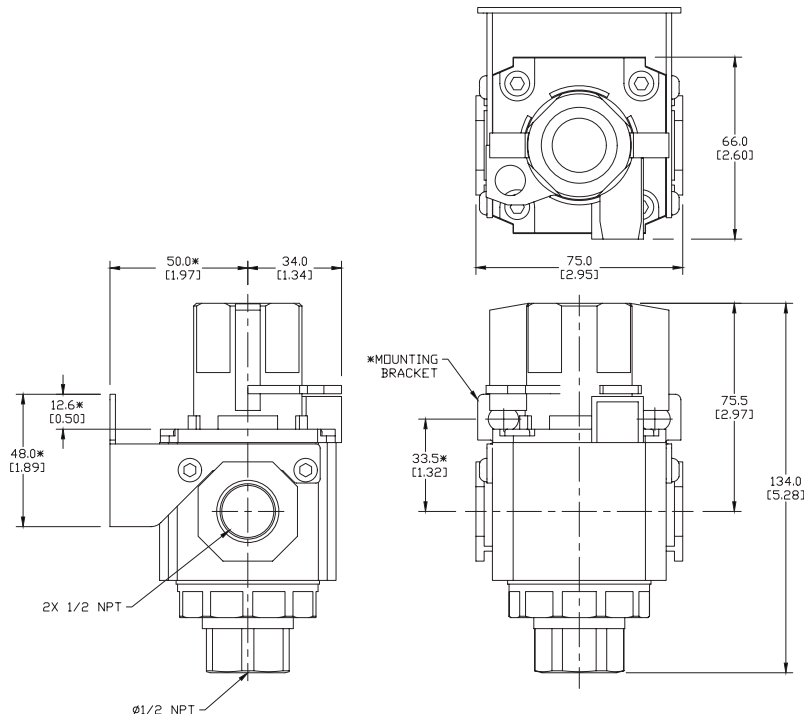
ARV-3x

\*MOUNTING BRACKET INSTALLATION OPTIONAL



ARV-4x

\*MOUNTING BRACKET INSTALLATION OPTIONAL



*Note: Unit dimensions are the same for listed models, port NPT varies based on model.*

*See our Web site [www.AutomationDirect.com](http://www.AutomationDirect.com) for complete Engineering drawings.*



Part No. AGP-21



Part No. ADB-21



Part No. AB-4T



Part No. AB-4L



Part No. AB-4U

Pneumatic Air Preparation Accessories			
Part No.	Price	Description	Weight (lbs)
<b>AGP-21</b>		NITRA pneumatic gauge port adapter plate, 1/8 inch NPT female port, with mounting screws. Easy field assembly with NITRA pneumatic AR-2 series regulators and AFR-2 series filter / regulators.	0.03
<b>AGP-32</b>		NITRA pneumatic gauge port adapter plate, 1/4 inch NPT female port, with mounting screws. Easy field assembly with NITRA pneumatic AR-3, AR-4 and AR-6 series regulators and AFR-3, AFR-4 and AFR-6 series filter / regulators.	0.04
<b>ADB-21</b>		NITRA pneumatic distribution block with four (4) 1/8 inch NPT female ports. Modular design enables easy field assembly with NITRA pneumatic AF-21 series filters, AR-21 series regulators, AL-21 series lubricators and AFR-21 series filter / regulators.	0.1
<b>ADB-22</b>		NITRA pneumatic distribution block with four (4) 1/4 inch NPT female ports. Modular design enables easy field assembly with NITRA pneumatic AF-22 series filters, AR-22 series regulators, AL-22 series lubricators and AFR-22 series filter / regulators.	0.1
<b>ADB-32</b>		NITRA pneumatic distribution block with four (4) 1/4 inch NPT female ports. Modular design enables easy field assembly with NITRA pneumatic AF-32 series filters, AR-32 series regulators, AL-32 series lubricators and AFR-32 series filter / regulators.	0.2
<b>ADB-33</b>		NITRA pneumatic distribution block with four (4) 3/8 inch NPT female ports. Modular design enables easy field assembly with NITRA pneumatic AF-33 series filters, AR-33 series regulators, AL-33 series lubricators and AFR-33 series filter / regulators.	0.2
<b>ADB-44</b>		NITRA pneumatic distribution block with four (4) 1/2 inch NPT female ports. Modular design enables easy field assembly with NITRA pneumatic AF-44 series filters, AR-44 series regulators and AFR-44 series filter / regulators.	0.4
<b>AB-2T</b>		NITRA pneumatic modular assembly and mounting T-bracket with two mounting tangs, used to assemble and mount individual NITRA AF-2 series filters, AR-2 series regulators, AL-2 series lubricators and AFR-2 series filter/regulators as a combined unit	0.2
<b>AB-2L</b>		NITRA pneumatic modular assembly and mounting L-bracket with one mounting tang, used to assemble and mount individual NITRA AF-2 series filters, AR-2 series regulators, AL-2 series lubricators and AFR-2 series filter/regulators as a combined unit	0.2
<b>AB-2U</b>		NITRA pneumatic modular assembly U-bracket (no mounting tangs), used to assemble individual NITRA AF-2 series filters, AR-2 series regulators, AL-2 series lubricators and AFR-2 series filter/regulators as a combined unit	0.1
<b>AB-3T</b>		NITRA pneumatic modular assembly and mounting T-bracket with two mounting tangs, used to assemble and mount individual NITRA AF-3 series filters, AR-3 series regulators, AL-3 series lubricators and AFR-3 series filter/regulators as a combined unit	0.3
<b>AB-3L</b>		NITRA pneumatic modular assembly and mounting L-bracket with one mounting tang, used to assemble and mount individual NITRA AF-3 series filters, AR-3 series regulators, AL-3 series lubricators and AFR-3 series filter/regulators as a combined unit	0.3
<b>AB-3U</b>		NITRA pneumatic modular assembly U-bracket (no mounting tangs), used to assemble individual NITRA AF-3 series filters, AR-3 series regulators, AL-3 series lubricators and AFR-3 series filter/regulators as a combined unit	0.2
<b>AB-4T</b>		NITRA pneumatic modular assembly and mounting T-bracket with two mounting tangs, used to assemble and mount individual NITRA AF-4 series filters, AR-4 series regulators, AL-4 series lubricators and AFR-4 series filter/regulators as a combined unit	0.5
<b>AB-4L</b>		NITRA pneumatic modular assembly and mounting L-bracket with one mounting tang, used to assemble and mount individual NITRA AF-4 series filters, AR-4 series regulators, AL-4 series lubricators and AFR-4 series filter/regulators as a combined unit	0.5
<b>AB-4U</b>		NITRA pneumatic modular assembly U-bracket (no mounting tangs), used to assemble individual NITRA AF-4 series filters, AR-4 series regulators, AL-4 series lubricators and AFR-4 series filter/regulators as a combined unit	0.4
<b>AB-6T</b>		NITRA pneumatic modular assembly and mounting T-bracket with two mounting tangs, used to assemble and mount individual NITRA AF-6 series filters, AR-6 series regulators, AL-6 series lubricators and AFR-6 series filter/regulators as a combined unit	1.3
<b>AB-6L</b>		NITRA pneumatic modular assembly and mounting L-bracket with one mounting tang, used to assemble and mount individual NITRA AF-6 series filters, AR-6 series regulators, AL-6 series lubricators and AFR-6 series filter/regulators as a combined unit	1.2
<b>AB-6U</b>		NITRA pneumatic modular assembly U-bracket (no mounting tangs), used to assemble individual NITRA AF-6 series filters, AR-6 series regulators, AL-6 series lubricators and AFR-6 series filter/regulators as a combined unit	0.8



**Part No. AFE2-43**



**Part No. AFE2-41**



**Part No. AFE-24**



**Part No. AFE-35**

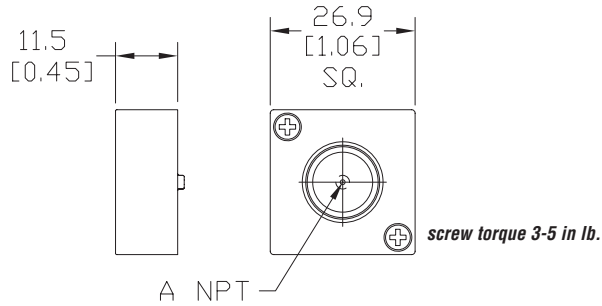
Pneumatic Air Preparation Accessories			
Part No.	Price	Description	Weight (lbs)
<b>NITRA Gen 2 Particulate Filters</b>			
<b>AFE2-23</b>		NITRA particulate filter element, replacement, 40 micron particles, high-density polyethylene (HDPE). For use with AF-2 series filters or AFR-2 series filter regulators.	0.01
<b>AFE2-33</b>		NITRA particulate filter element, replacement, 40 micron particles, high-density polyethylene (HDPE). For use with AF-3 series filters or AFR-3 series filter regulators.	0.01
<b>AFE2-43</b>		NITRA particulate filter element, replacement, 40 micron particles, high-density polyethylene (HDPE). For use with AF-4 series filters or AFR-4 series filter regulators.	0.01
<b>AFE2-63</b>		NITRA particulate filter element, replacement, 40 micron particles, high-density polyethylene (HDPE). For use with AF-6 series filters or AFR-6 series filter regulators.	0.04
<b>AFE2-21</b>		NITRA particulate filter element, replacement, 5 micron particles, high-density polyethylene (HDPE). For use with AF-2 series filters or AFR-2 series filter regulators.	0.01
<b>AFE2-31</b>		NITRA particulate filter element, replacement, 5 micron particles, high-density polyethylene (HDPE). For use with AF-3 series filters or AFR-3 series filter regulators.	0.01
<b>AFE2-41</b>		NITRA particulate filter element, replacement, 5 micron particles, high-density polyethylene (HDPE). For use with AF-4 series filters or AFR-4 series filter regulators.	0.01
<b>AFE2-61</b>		NITRA particulate filter element, replacement, 5 micron particles, high-density polyethylene (HDPE). For use with AF-6 series filters or AFR-6 series filter regulators.	0.04
<b>NITRA Coalescing Filters</b>			
<b>AFE-24</b>		NITRA coalescing oil removal filter element, replacement, 0.3 micron particles, borosilicate glass microfiber. For use with AC-2 series coalescing filters.	0.05
<b>AFE-34</b>		NITRA coalescing oil removal filter element, replacement, 0.3 micron particles, borosilicate glass microfiber. For use with AC-3 series coalescing filters.	0.05
<b>AFE-44</b>		NITRA coalescing oil removal filter element, replacement, 0.3 micron particles, borosilicate glass microfiber. For use with AC-4 series coalescing filters.	0.1
<b>AFE-25</b>		NITRA coalescing oil removal filter element, replacement, 0.01 micron particles, borosilicate glass microfiber. For use with AC-2 series coalescing filters.	0.04
<b>AFE-35</b>		NITRA coalescing oil removal filter element, replacement, 0.01 micron particles, borosilicate glass microfiber. For use with AC-3 series coalescing filters.	0.05
<b>AFE-45</b>		NITRA coalescing oil removal filter element, replacement, 0.01 micron particles, borosilicate glass microfiber. For use with AC-4 series coalescing filters.	0.1

## Dimensions

mm [inches]

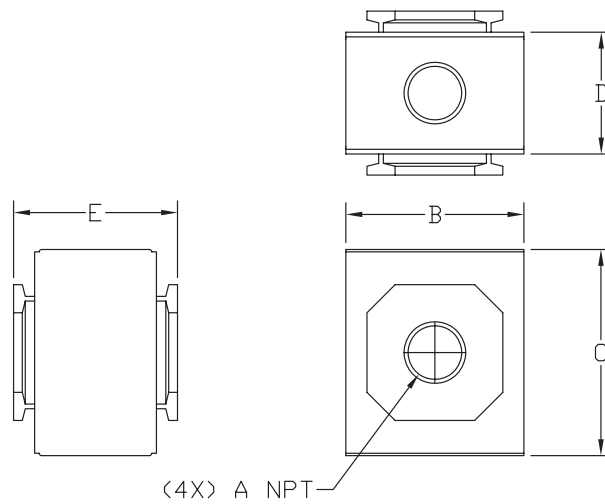
### AGP-x

PART NO.	A NPT
APG-21	1/8
APG-32	1/4



### ADB-x

PART NO.	A NPT	DIM B	DIM C	DIM D	DIM E
ADB-21	1/8	30.0 [1.18]	36.0 [1.42]	19.5 [0.77]	28.5 [1.12]
ADB-22	1/4	30.0 [1.18]	36.0 [1.42]	19.5 [0.77]	28.5 [1.12]
ADB-32	1/4	38.0 [1.50]	44.0 [1.73]	26.0 [1.02]	35.0 [1.38]
ADB-33	3/8	38.0 [1.50]	44.0 [1.73]	26.0 [1.02]	35.0 [1.38]
ADB-44	1/2	52.0 [2.05]	52.0 [2.05]	30.0 [1.18]	42.0 [1.65]



See our Web site  
for complete Engineering drawings.