



# 1/8" NPT Aluminum Manifolds



MRA-4BA



MRA-4BA-180

NITRA aluminum manifolds

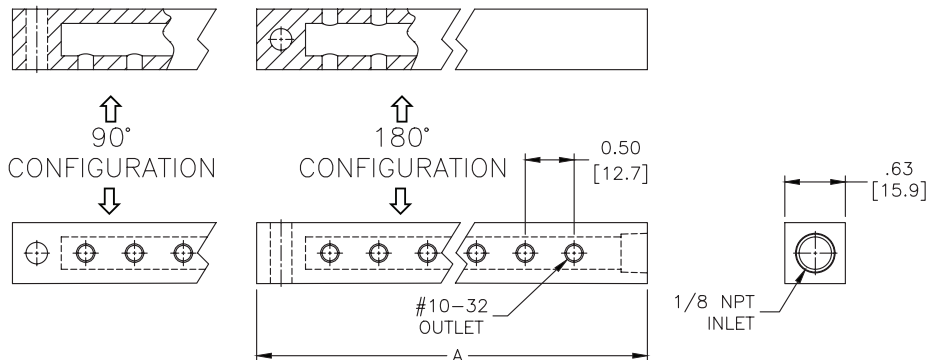
- Black anodized finish
- Maximum input pressure of 1000 psi
- Made in the USA



NITRA® 1/8" NPT Aluminum Manifolds					
Part No.	Description	A	Parts Per Pkg	Weight (lbs)	Price
MRA-4BA	NITRA pneumatic manifold, aluminum, rectangular, (1) 1/8 inch female NPT inlet port(s), 4 stations, (1) #10-32 female threaded outlet port(s) per station, standard hole spacing.	3.0 [76.2]	1	0.1	
MRA-4BA-180	NITRA pneumatic manifold, aluminum, rectangular, (1) 1/8 inch female NPT inlet port(s), 4 stations, (2) #10-32 female threaded outlet port(s) per station, 180-degree orientation, standard hole spacing.	3.0 [76.2]	1	0.1	
MRA-6BA	NITRA pneumatic manifold, aluminum, rectangular, (1) 1/8 inch female NPT inlet port(s), 6 stations, (1) #10-32 female threaded outlet port(s) per station, standard hole spacing.	4.0 [101.6]	1	0.1	
MRA-6BA-180	NITRA pneumatic manifold, aluminum, rectangular, (1) 1/8 inch female NPT inlet port(s), 6 stations, (2) #10-32 female threaded outlet port(s) per station, 180-degree orientation, standard hole spacing.	4.0 [101.6]	1	0.1	
MRA-8BA	NITRA pneumatic manifold, aluminum, rectangular, (1) 1/8 inch female NPT inlet port(s), 8 stations, (1) #10-32 female threaded outlet port(s) per station, standard hole spacing.	5.0 [127.0]	1	0.2	
MRA-8BA-180	NITRA pneumatic manifold, aluminum, rectangular, (1) 1/8 inch female NPT inlet port(s), 8 stations, (2) #10-32 female threaded outlet port(s) per station, 180-degree orientation, standard hole spacing.	5.0 [127.0]	1	0.2	
MRA-10BA	NITRA pneumatic manifold, aluminum, rectangular, (1) 1/8 inch female NPT inlet port(s), 10 stations, (1) #10-32 female threaded outlet port(s) per station, standard hole spacing.	6.0 [152.4]	1	0.2	
MRA-10BA-180	NITRA pneumatic manifold, aluminum, rectangular, (1) 1/8 inch female NPT inlet port(s), 10 stations, (2) #10-32 female threaded outlet port(s) per station, 180-degree orientation, standard hole spacing.	6.0 [152.4]	1	0.2	

## Dimensions

inches [mm]



See our website for complete Engineering drawings.



# 1/4" NPT Aluminum Manifolds



MRA-2CB



MRA-2CB-90



MRA-2CB-W

NITRA aluminum manifolds

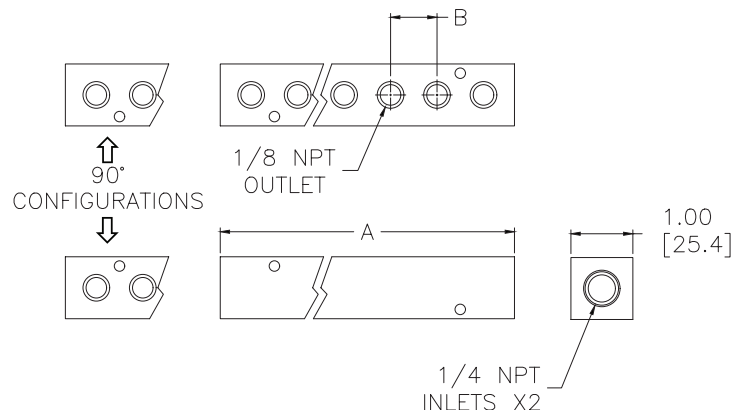
- Black anodized finish
- Maximum input pressure of 1000 psi
- Made in the USA



NITRA® 1/4" NPT Aluminum Manifolds						
Part No.	Description	A	B	Parts Per Pkg	Weight (lbs)	Price
MRA-2CB	NITRA pneumatic manifold, aluminum, rectangular, (2) 1/4 inch female NPT inlet port(s), 2 stations, (1) 1/8 inch female NPT outlet port(s) per station, standard hole spacing.	1.75 [44.5]	0.75 [19.1]	1	0.2	
MRA-2CB-90	NITRA pneumatic manifold, aluminum, rectangular, (2) 1/4 inch female NPT inlet port(s), 2 stations, (2) 1/8 inch female NPT outlet port(s) per station, 90-degree orientation, standard hole spacing.	1.75 [44.5]	0.75 [19.1]	1	0.1	
MRA-2CB-W	NITRA pneumatic manifold, aluminum, rectangular, (2) 1/4 inch female NPT inlet port(s), 2 stations, (1) 1/8 inch female NPT outlet port(s) per station, wide hole spacing.	3.25 [82.6]	1.50 [38.1]	1	0.3	
MRA-3CB	NITRA pneumatic manifold, aluminum, rectangular, (2) 1/4 inch female NPT inlet port(s), 3 stations, (1) 1/8 inch female NPT outlet port(s) per station, standard hole spacing.	2.50 [63.5]	0.75 [19.1]	1	0.2	
MRA-3CB-90	NITRA pneumatic manifold, aluminum, rectangular, (2) 1/4 inch female NPT inlet port(s), 3 stations, (2) 1/8 inch female NPT outlet port(s) per station, 90-degree orientation, standard hole spacing.	2.50 [63.5]	0.75 [19.1]	1	0.2	
MRA-3CB-W	NITRA pneumatic manifold, aluminum, rectangular, (2) 1/4 inch female NPT inlet port(s), 3 stations, (1) 1/8 inch female NPT outlet port(s) per station, wide hole spacing.	4.75 [120.7]	1.50 [38.1]	1	0.4	
MRA-4CB	NITRA pneumatic manifold, aluminum, rectangular, (2) 1/4 inch female NPT inlet port(s), 4 stations, (1) 1/8 inch female NPT outlet port(s) per station, standard hole spacing.	3.25 [82.6]	0.75 [19.1]	1	0.3	
MRA-4CB-90	NITRA pneumatic manifold, aluminum, rectangular, (2) 1/4 inch female NPT inlet port(s), 4 stations, (2) 1/8 inch female NPT outlet port(s) per station, 90-degree orientation, standard hole spacing.	3.25 [82.6]	0.75 [19.1]	1	0.3	
MRA-4CB-W	NITRA pneumatic manifold, aluminum, rectangular, (2) 1/4 inch female NPT inlet port(s), 4 stations, (1) 1/8 inch female NPT outlet port(s) per station, wide hole spacing.	6.25 [158.8]	1.50 [38.1]	1	0.5	
MRA-5CB	NITRA pneumatic manifold, aluminum, rectangular, (2) 1/4 inch female NPT inlet port(s), 5 stations, (1) 1/8 inch female NPT outlet port(s) per station, standard hole spacing.	4.00 [101.6]	0.75 [19.1]	1	0.3	
MRA-5CB-90	NITRA pneumatic manifold, aluminum, rectangular, (2) 1/4 inch female NPT inlet port(s), 5 stations, (2) 1/8 inch female NPT outlet port(s) per station, 90-degree orientation, standard hole spacing.	4.00 [101.6]	0.75 [19.1]	1	0.3	
MRA-5CB-W	NITRA pneumatic manifold, aluminum, rectangular, (2) 1/4 inch female NPT inlet port(s), 5 stations, (1) 1/8 inch female NPT outlet port(s) per station, wide hole spacing.	7.75 [196.9]	1.50 [38.1]	1	0.6	
MRA-6CB	NITRA pneumatic manifold, aluminum, rectangular, (2) 1/4 inch female NPT inlet port(s), 6 stations, (1) 1/8 inch female NPT outlet port(s) per station, standard hole spacing.	4.75 [120.7]	0.75 [19.1]	1	0.4	
MRA-6CB-90	NITRA pneumatic manifold, aluminum, rectangular, (2) 1/4 inch female NPT inlet port(s), 6 stations, (2) 1/8 inch female NPT outlet port(s) per station, 90-degree orientation, standard hole spacing.	4.75 [120.7]	0.75 [19.1]	1	0.4	
MRA-6CB-W	NITRA pneumatic manifold, aluminum, rectangular, (2) 1/4 inch female NPT inlet port(s), 6 stations, (1) 1/8 inch female NPT outlet port(s) per station, wide hole spacing.	9.25 [235.0]	1.50 [38.1]	1	0.7	
MRA-7CB	NITRA pneumatic manifold, aluminum, rectangular, (2) 1/4 inch female NPT inlet port(s), 7 stations, (1) 1/8 inch female NPT outlet port(s) per station, standard hole spacing.	5.50 [139.0]	0.75 [19.1]	1	0.5	
MRA-8CB	NITRA pneumatic manifold, aluminum, rectangular, (2) 1/4 inch female NPT inlet port(s), 8 stations, (1) 1/8 inch female NPT outlet port(s) per station, standard hole spacing.	6.25 [158.8]	0.75 [19.1]	1	0.5	
MRA-8CB-90	NITRA pneumatic manifold, aluminum, rectangular, (2) 1/4 inch female NPT inlet port(s), 8 stations, (2) 1/8 inch female NPT outlet port(s) per station, 90-degree orientation, standard hole spacing.	6.25 [158.8]	0.75 [19.1]	1	0.5	
MRA-8CB-W	NITRA pneumatic manifold, aluminum, rectangular, (2) 1/4 inch female NPT inlet port(s), 8 stations, (1) 1/8 inch female NPT outlet port(s) per station, wide hole spacing.	12.25 [311.2]	1.50 [38.1]	1	1.0	
MRA-10CB	NITRA pneumatic manifold, aluminum, rectangular, (2) 1/4 inch female NPT inlet port(s), 10 stations, (1) 1/8 inch female NPT outlet port(s) per station, standard hole spacing.	7.75 [196.9]	0.75 [19.1]	1	0.6	

## Dimensions

inches [mm]



See our website for complete Engineering drawings.



# 3/8" NPT Aluminum Manifolds



MRA-2DC



MRA-2DC-90



MRA-2DC-W

NITRA aluminum manifolds

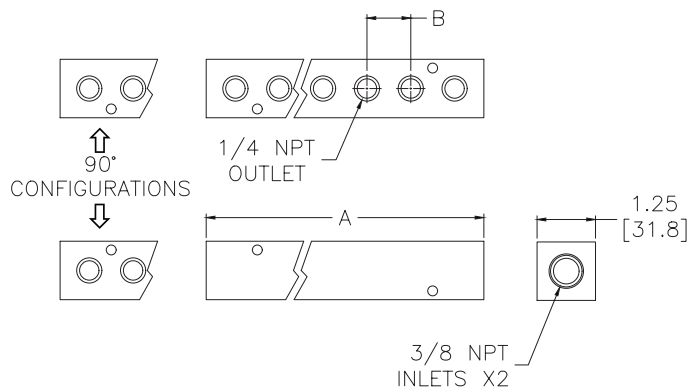
- Black anodized finish
- Maximum input pressure of 1000 psi
- Made in the USA



NITRA® 3/8" NPT Aluminum Manifolds						
Part No.	Description	A	B	Parts Per Pkg	Weight (lbs)	Price
MRA-2DC	NITRA pneumatic manifold, aluminum, rectangular, (2) 3/8 inch female NPT inlet port(s), 2 stations, (1) 1/4 inch female NPT outlet port(s) per station, standard hole spacing.	2.13 [54.1]	0.88 [22.4]	1	0.2	
MRA-2DC-90	NITRA pneumatic manifold, aluminum, rectangular, (2) 3/8 inch female NPT inlet port(s), 2 stations, (2) 1/4 inch female NPT outlet port(s) per station, 90-degree orientation, standard hole spacing.	2.13 [54.1]	0.88 [22.4]	1	0.3	
MRA-2DC-W	NITRA pneumatic manifold, aluminum, rectangular, (2) 3/8 inch female NPT inlet port(s), 2 stations, (1) 1/4 inch female NPT outlet port(s) per station, wide hole spacing.	3.25 [82.1]	1.50 [38.1]	1	0.4	
MRA-3DC	NITRA pneumatic manifold, aluminum, rectangular, (2) 3/8 inch female NPT inlet port(s), 3 stations, (1) 1/4 inch female NPT outlet port(s) per station, standard hole spacing.	3.00 [76.2]	0.88 [22.4]	1	0.3	
MRA-3DC-90	NITRA pneumatic manifold, aluminum, rectangular, (2) 3/8 inch female NPT inlet port(s), 3 stations, (2) 1/4 inch female NPT outlet port(s) per station, 90-degree orientation, standard hole spacing.	3.00 [76.2]	0.88 [22.4]	1	0.3	
MRA-3DC-W	NITRA pneumatic manifold, aluminum, rectangular, (2) 3/8 inch female NPT inlet port(s), 3 stations, (1) 1/4 inch female NPT outlet port(s) per station, wide hole spacing.	4.75 [120.7]	1.50 [38.1]	1	0.6	
MRA-4DC	NITRA pneumatic manifold, aluminum, rectangular, (2) 3/8 inch female NPT inlet port(s), 4 stations, (1) 1/4 inch female NPT outlet port(s) per station, standard hole spacing.	3.88 [98.6]	0.88 [22.4]	1	0.5	
MRA-4DC-90	NITRA pneumatic manifold, aluminum, rectangular, (2) 3/8 inch female NPT inlet port(s), 4 stations, (2) 1/4 inch female NPT outlet port(s) per station, 90-degree orientation, standard hole spacing.	3.88 [98.6]	0.88 [22.4]	1	0.4	
MRA-4DC-W	NITRA pneumatic manifold, aluminum, rectangular, (2) 3/8 inch female NPT inlet port(s), 4 stations, (1) 1/4 inch female NPT outlet port(s) per station, wide hole spacing.	6.25 [158.8]	1.50 [38.1]	1	0.8	
MRA-5DC	NITRA pneumatic manifold, aluminum, rectangular, (2) 3/8 inch female NPT inlet port(s), 5 stations, (1) 1/4 inch female NPT outlet port(s) per station, standard hole spacing.	4.75 [120.7]	0.88 [22.4]	1	0.6	
MRA-5DC-90	NITRA pneumatic manifold, aluminum, rectangular, (2) 3/8 inch female NPT inlet port(s), 5 stations, (2) 1/4 inch female NPT outlet port(s) per station, 90-degree orientation, standard hole spacing.	4.75 [120.7]	0.88 [22.4]	1	0.6	
MRA-5DC-W	NITRA pneumatic manifold, aluminum, rectangular, (2) 3/8 inch female NPT inlet port(s), 5 stations, (1) 1/4 inch female NPT outlet port(s) per station, wide hole spacing.	7.75 [196.9]	1.50 [38.1]	1	1.0	
MRA-6DC	NITRA pneumatic manifold, aluminum, rectangular, (2) 3/8 inch female NPT inlet port(s), 6 stations, (1) 1/4 inch female NPT outlet port(s) per station, standard hole spacing.	5.63 [143.0]	0.88 [22.4]	1	0.7	
MRA-6DC-90	NITRA pneumatic manifold, aluminum, rectangular, (2) 3/8 inch female NPT inlet port(s), 6 stations, (2) 1/4 inch female NPT outlet port(s) per station, 90-degree orientation, standard hole spacing.	5.63 [143.0]	0.88 [22.4]	1	0.7	
MRA-6DC-W	NITRA pneumatic manifold, aluminum, rectangular, (2) 3/8 inch female NPT inlet port(s), 6 stations, (1) 1/4 inch female NPT outlet port(s) per station, wide hole spacing.	9.25 [235.0]	1.50 [38.1]	1	1.1	
MRA-7DC	NITRA pneumatic manifold, aluminum, rectangular, (2) 3/8 inch female NPT inlet port(s), 7 stations, (1) 1/4 inch female NPT outlet port(s) per station, standard hole spacing.	6.50 [165.1]	0.88 [22.4]	1	0.8	
MRA-8DC	NITRA pneumatic manifold, aluminum, rectangular, (2) 3/8 inch female NPT inlet port(s), 8 stations, (1) 1/4 inch female NPT outlet port(s) per station, standard hole spacing.	7.38 [187.5]	0.88 [22.4]	1	0.9	
MRA-8DC-90	NITRA pneumatic manifold, aluminum, rectangular, (2) 3/8 inch female NPT inlet port(s), 8 stations, (2) 1/4 inch female NPT outlet port(s) per station, 90-degree orientation, standard hole spacing.	7.38 [187.5]	0.88 [22.4]	1	0.9	
MRA-8DC-W	NITRA pneumatic manifold, aluminum, rectangular, (2) 3/8 inch female NPT inlet port(s), 8 stations, (1) 1/4 inch female NPT outlet port(s) per station, wide hole spacing.	12.25 [311.2]	1.50 [38.1]	1	1.5	
MRA-10DC	NITRA pneumatic manifold, aluminum, rectangular, (2) 3/8 inch female NPT inlet port(s), 10 stations, (1) 1/4 inch female NPT outlet port(s) per station, standard hole spacing.	9.13 [231.9]	0.88 [22.4]	1	1.1	
MRA-10DC-90	NITRA pneumatic manifold, aluminum, rectangular, (2) 3/8 inch female NPT inlet port(s), 10 stations, (2) 1/4 inch female NPT outlet port(s) per station, 90-degree orientation, standard hole spacing.	9.13 [231.9]	0.88 [22.4]	1	0.9	
MRA-10DC-W	NITRA pneumatic manifold, aluminum, rectangular, (2) 3/8 inch female NPT inlet port(s), 10 stations, (1) 1/4 inch female NPT outlet port(s) per station, wide hole spacing.	15.25 [387.4]	1.50 [38.1]	1	1.9	

## Dimensions

inches [mm]



See our website for complete Engineering drawings.



# 1/2" NPT Aluminum Manifolds



MRA-2ED



MRA-2ED-90



MRA-2ED-W

NITRA aluminum manifolds

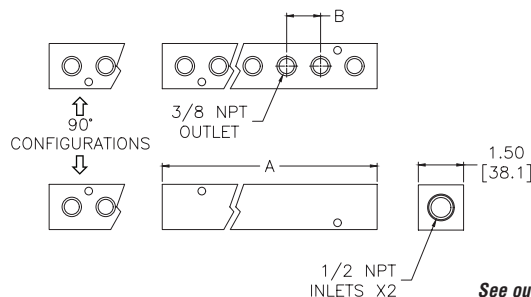
- Black anodized finish
- Maximum input pressure of 1000 psi
- Made in the USA



NITRA® 1/2" NPT Aluminum Manifolds						
Part No.	Description	A	B	Parts Per Pkg	Weight (lbs)	Price
MRA-2ED	NITRA pneumatic manifold, aluminum, rectangular, (2) 1/2 inch female NPT inlet port(s), 2 stations, (1) 3/8 inch female NPT outlet port(s) per station, standard hole spacing.	2.75 [69.9]	1.00 [25.4]	1	0.4	
MRA-2ED-90	NITRA pneumatic manifold, aluminum, rectangular, (2) 1/2 inch female NPT inlet port(s), 2 stations, (2) 3/8 inch female NPT outlet port(s) per station, 90-degree orientation, standard hole spacing.	2.75 [69.9]	1.00 [25.4]	1	0.4	
MRA-2ED-W	NITRA pneumatic manifold, aluminum, rectangular, (2) 1/2 inch female NPT inlet port(s), 2 stations, (1) 3/8 inch female NPT outlet port(s) per station, wide hole spacing.	3.25 [82.6]	1.50 [38.1]	1	0.6	
MRA-3ED	NITRA pneumatic manifold, aluminum, rectangular, (2) 1/2 inch female NPT inlet port(s), 3 stations, (1) 3/8 inch female NPT outlet port(s) per station, standard hole spacing.	3.75 [95.3]	1.00 [25.4]	1	0.6	
MRA-3ED-90	NITRA pneumatic manifold, aluminum, rectangular, (2) 1/2 inch female NPT inlet port(s), 3 stations, (2) 3/8 inch female NPT outlet port(s) per station, 90-degree orientation, standard hole spacing.	3.75 [95.3]	1.00 [25.4]	1	0.6	
MRA-3ED-W	NITRA pneumatic manifold, aluminum, rectangular, (2) 1/2 inch female NPT inlet port(s), 3 stations, (1) 3/8 inch female NPT outlet port(s) per station, wide hole spacing.	4.75 [120.7]	1.50 [38.1]	1	0.8	
MRA-4ED	NITRA pneumatic manifold, aluminum, rectangular, (2) 1/2 inch female NPT inlet port(s), 4 stations, (1) 3/8 inch female NPT outlet port(s) per station, standard hole spacing.	4.75 [120.7]	1.00 [25.4]	1	0.8	
MRA-4ED-90	NITRA pneumatic manifold, aluminum, rectangular, (2) 1/2 inch female NPT inlet port(s), 4 stations, (2) 3/8 inch female NPT outlet port(s) per station, 90-degree orientation, standard hole spacing.	4.75 [120.7]	1.00 [25.4]	1	0.7	
MRA-4ED-W	NITRA pneumatic manifold, aluminum, rectangular, (2) 1/2 inch female NPT inlet port(s), 4 stations, (1) 3/8 inch female NPT outlet port(s) per station, wide hole spacing.	6.25 [158.8]	1.50 [38.1]	1	1.1	
MRA-5ED	NITRA pneumatic manifold, aluminum, rectangular, (2) 1/2 inch female NPT inlet port(s), 5 stations, (1) 3/8 inch female NPT outlet port(s) per station, standard hole spacing.	5.75 [146.1]	1.00 [25.4]	1	1.0	
MRA-5ED-90	NITRA pneumatic manifold, aluminum, rectangular, (2) 1/2 inch female NPT inlet port(s), 5 stations, (2) 3/8 inch female NPT outlet port(s) per station, 90-degree orientation, standard hole spacing.	5.75 [146.1]	1.00 [25.4]	1	0.9	
MRA-5ED-W	NITRA pneumatic manifold, aluminum, rectangular, (2) 1/2 inch female NPT inlet port(s), 5 stations, (1) 3/8 inch female NPT outlet port(s) per station, wide hole spacing.	7.75 [196.9]	1.50 [38.1]	1	1.3	
MRA-6ED	NITRA pneumatic manifold, aluminum, rectangular, (2) 1/2 inch female NPT inlet port(s), 6 stations, (1) 3/8 inch female NPT outlet port(s) per station, standard hole spacing.	6.75 [171.5]	1.00 [25.4]	1	1.1	
MRA-6ED-90	NITRA pneumatic manifold, aluminum, rectangular, (2) 1/2 inch female NPT inlet port(s), 6 stations, (2) 3/8 inch female NPT outlet port(s) per station, 90-degree orientation, standard hole spacing.	6.75 [171.5]	1.00 [25.4]	1	1.1	
MRA-6ED-W	NITRA pneumatic manifold, aluminum, rectangular, (2) 1/2 inch female NPT inlet port(s), 6 stations, (1) 3/8 inch female NPT outlet port(s) per station, wide hole spacing.	9.25 [235.0]	1.50 [38.1]	1	1.6	
MRA-7ED	NITRA pneumatic manifold, aluminum, rectangular, (2) 1/2 inch female NPT inlet port(s), 7 stations, (1) 3/8 inch female NPT outlet port(s) per station, standard hole spacing.	7.75 [196.9]	1.00 [25.4]	1	1.3	
MRA-8ED	NITRA pneumatic manifold, aluminum, rectangular, (2) 1/2 inch female NPT inlet port(s), 8 stations, (1) 3/8 inch female NPT outlet port(s) per station, standard hole spacing.	8.75 [222.3]	1.00 [25.4]	1	1.5	
MRA-8ED-90	NITRA pneumatic manifold, aluminum, rectangular, (2) 1/2 inch female NPT inlet port(s), 8 stations, (2) 3/8 inch female NPT outlet port(s) per station, 90-degree orientation, standard hole spacing.	8.75 [222.3]	1.00 [25.4]	1	1.4	
MRA-8ED-W	NITRA pneumatic manifold, aluminum, rectangular, (2) 1/2 inch female NPT inlet port(s), 8 stations, (1) 3/8 inch female NPT outlet port(s) per station, wide hole spacing.	12.25 [311.2]	1.50 [38.1]	1	2.1	
MRA-9ED	NITRA pneumatic manifold, aluminum, rectangular, (2) 1/2 inch female NPT inlet port(s), 9 stations, (1) 3/8 inch female NPT outlet port(s) per station, standard hole spacing.	9.75 [247.7]	1.00 [25.4]	1	1.6	
MRA-10ED	NITRA pneumatic manifold, aluminum, rectangular, (2) 1/2 inch female NPT inlet port(s), 10 stations, (1) 3/8 inch female NPT outlet port(s) per station, standard hole spacing.	10.75 [273.1]	1.00 [25.4]	1	1.8	
MRA-10ED-90	NITRA pneumatic manifold, aluminum, rectangular, (2) 1/2 inch female NPT inlet port(s), 10 stations, (2) 3/8 inch female NPT outlet port(s) per station, 90-degree orientation, standard hole spacing.	10.75 [273.1]	1.00 [25.4]	1	1.7	

## Dimensions

inches [mm]



See our website for complete Engineering drawings.



# 3/4" NPT Aluminum Manifolds



MRA-2FD

### NITRA aluminum manifolds

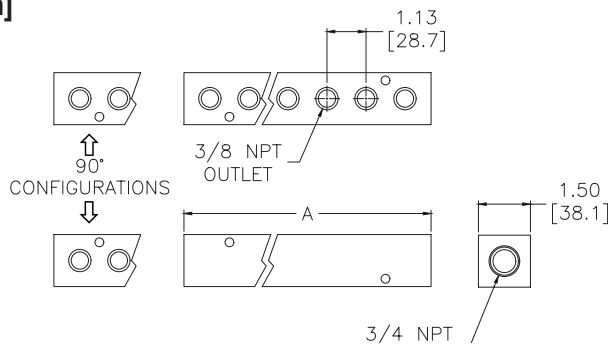
- Black anodized finish
- Maximum input pressure of 1000 psi
- Made in the USA



NITRA® 3/4" NPT Aluminum Manifolds					
Part No.	Description	A	Parts Per Pkg	Weight (lbs)	Price
MRA-2FD	NITRA pneumatic manifold, aluminum, rectangular, (2) 3/4 inch female NPT inlet port(s), 2 stations, (1) 3/8 inch female NPT outlet port(s) per station, standard hole spacing.	4.63 [117.6]	1	0.8	
MRA-3FD	NITRA pneumatic manifold, aluminum, rectangular, (2) 3/4 inch female NPT inlet port(s), 3 stations, (1) 3/8 inch female NPT outlet port(s) per station, standard hole spacing.	5.75 [146.1]	1	0.9	
MRA-4FD	NITRA pneumatic manifold, aluminum, rectangular, (2) 3/4 inch female NPT inlet port(s), 4 stations, (1) 3/8 inch female NPT outlet port(s) per station, standard hole spacing.	6.88 [174.8]	1	1.1	
MRA-5FD	NITRA pneumatic manifold, aluminum, rectangular, (2) 3/4 inch female NPT inlet port(s), 5 stations, (1) 3/8 inch female NPT outlet port(s) per station, standard hole spacing.	8.00 [203.2]	1	1.3	
MRA-6FD	NITRA pneumatic manifold, aluminum, rectangular, (2) 3/4 inch female NPT inlet port(s), 6 stations, (1) 3/8 inch female NPT outlet port(s) per station, standard hole spacing.	9.13 [231.9]	1	1.5	
MRA-8FD	NITRA pneumatic manifold, aluminum, rectangular, (2) 3/4 inch female NPT inlet port(s), 8 stations, (1) 3/8 inch female NPT outlet port(s) per station, standard hole spacing.	11.38 [289.1]	1	1.9	
MRA-10FD	NITRA pneumatic manifold, aluminum, rectangular, (2) 3/4 inch female NPT inlet port(s), 10 stations, (1) 3/8 inch female NPT outlet port(s) per station, standard hole spacing.	13.63 [346.2]	1	2.2	

## Dimensions

inches [mm]



See our website for complete Engineering drawings.



# 1" NPT Aluminum Manifolds



MRA-2GE



MRA-2GE-90

NITRA aluminum manifolds

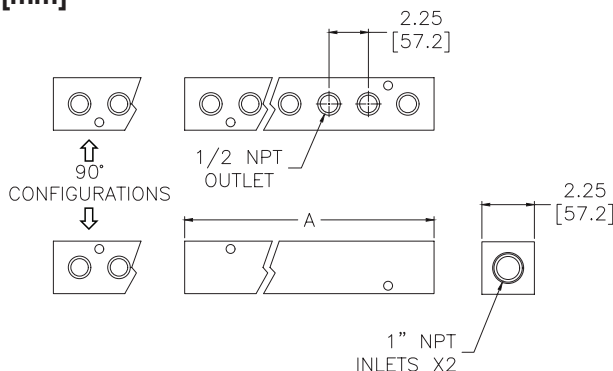
- Plain finish
- Maximum input pressure of 1000 psi
- Made in the USA



NITRA® 1" NPT Aluminum Manifolds					
Part No.	Description	A	Parts Per Pkg	Weight (lbs)	Price
MRA-2GE	NITRA pneumatic manifold, aluminum, rectangular, (2) 1 inch female NPT inlet port(s), 2 stations, (1) 1/2 inch female NPT outlet port(s) per station, standard hole spacing.	5.25 [133.4]	1	2.0	
MRA-2GE-90	NITRA pneumatic manifold, aluminum, rectangular, (2) 1 inch female NPT inlet port(s), 2 stations, (2) 1/2 inch female NPT outlet port(s) per station, 90-degree orientation, standard hole spacing.	5.25 [133.4]	1	1.9	
MRA-3GE	NITRA pneumatic manifold, aluminum, rectangular, (2) 1 inch female NPT inlet port(s), 3 stations, (1) 1/2 inch female NPT outlet port(s) per station, standard hole spacing.	7.50 [190.5]	1	2.8	
MRA-3GE-90	NITRA pneumatic manifold, aluminum, rectangular, (2) 1 inch female NPT inlet port(s), 3 stations, (2) 1/2 inch female NPT outlet port(s) per station, 90-degree orientation, standard hole spacing.	7.50 [190.5]	1	2.7	
MRA-4GE	NITRA pneumatic manifold, aluminum, rectangular, (2) 1 inch female NPT inlet port(s), 4 stations, (1) 1/2 inch female NPT outlet port(s) per station, standard hole spacing.	9.75 [247.7]	1	3.7	
MRA-4GE-90	NITRA pneumatic manifold, aluminum, rectangular, (2) 1 inch female NPT inlet port(s), 4 stations, (2) 1/2 inch female NPT outlet port(s) per station, 90-degree orientation, standard hole spacing.	9.75 [247.7]	1	3.6	
MRA-5GE	NITRA pneumatic manifold, aluminum, rectangular, (2) 1 inch female NPT inlet port(s), 5 stations, (1) 1/2 inch female NPT outlet port(s) per station, standard hole spacing.	12.00 [304.8]	1	4.6	
MRA-5GE-90	NITRA pneumatic manifold, aluminum, rectangular, (2) 1 inch female NPT inlet port(s), 5 stations, (2) 1/2 inch female NPT outlet port(s) per station, 90-degree orientation, standard hole spacing.	12.00 [304.8]	1	4.4	
MRA-6GE	NITRA pneumatic manifold, aluminum, rectangular, (2) 1 inch female NPT inlet port(s), 6 stations, (1) 1/2 inch female NPT outlet port(s) per station, standard hole spacing.	14.25 [362.0]	1	5.4	
MRA-6GE-90	NITRA pneumatic manifold, aluminum, rectangular, (2) 1 inch female NPT inlet port(s), 6 stations, (2) 1/2 inch female NPT outlet port(s) per station, 90-degree orientation, standard hole spacing.	14.25 [362.0]	1	5.3	
MRA-7GE	NITRA pneumatic manifold, aluminum, rectangular, (2) 1 inch female NPT inlet port(s), 7 stations, (1) 1/2 inch female NPT outlet port(s) per station, standard hole spacing.	16.50 [419.1]	1	6.3	
MRA-7GE-90	NITRA pneumatic manifold, aluminum, rectangular, (2) 1 inch female NPT inlet port(s), 7 stations, (2) 1/2 inch female NPT outlet port(s) per station, 90-degree orientation, standard hole spacing.	16.50 [419.0]	1	6.1	
MRA-8GE	NITRA pneumatic manifold, aluminum, rectangular, (2) 1 inch female NPT inlet port(s), 8 stations, (1) 1/2 inch female NPT outlet port(s) per station, standard hole spacing.	18.75 [476.3]	1	7.2	
MRA-8GE-90	NITRA pneumatic manifold, aluminum, rectangular, (2) 1 inch female NPT inlet port(s), 8 stations, (2) 1/2 inch female NPT outlet port(s) per station, 90-degree orientation, standard hole spacing.	18.75 [476.3]	1	6.9	

## Dimensions

inches [mm]



See our website for complete Engineering drawings.