

BVS-4 Series Control Distribution Blocks



Part No. BVPS-4

NITRA pneumatic control distribution blocks are a convenient way to connect a bank of valves to a controller. Replace a bundle of solenoid cables with one 5-pole M12 cable. Each block matches up with a manifold of two to four stations.

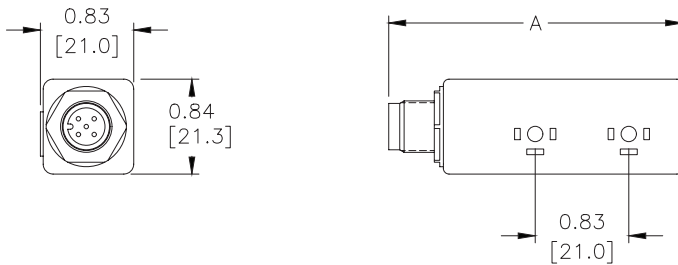
Features

- Single 5-pole M12 wiring connection
- IP 65 rating
- 2 to 4 stations

BVS-4 Series Control Distribution Blocks				
Part No.	Description	Dimension "A" in [mm]	Price	Weight (lbs)
BVPS-2	NITRA control distribution block, AC/DC, 2 stations, M12 connector. For use with BVS-4 series valves.	2.60 [66.0]		0.2
BVPS-3	NITRA control distribution block, AC/DC, 3 stations, M12 connector. For use with BVS-4 series valves.	3.43 [87.0]		0.3
BVPS-4	NITRA control distribution block, AC/DC, 4 stations, M12 connector. For use with BVS-4 series valves.	4.25 [108.0]		0.3

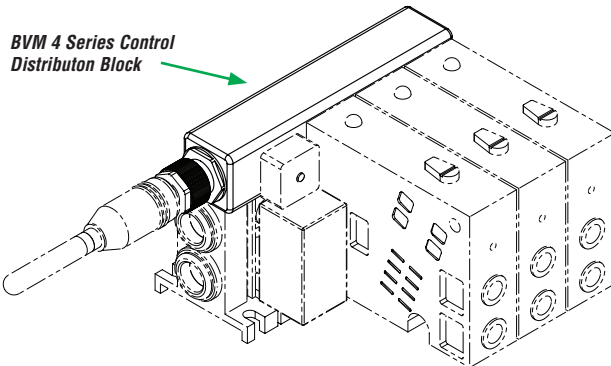
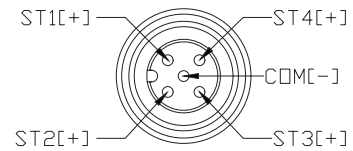
Dimensions

inches [mm]



Wiring

BVPS WIRING DIAGRAM



For the BVS-4 Control Distribution Block use one of the following cable part numbers:

- 7000-12241-2150300
- 7000-12361-2150300
- 7000-12241-2150500
- 7000-12361-2150500
- 7000-12241-2151000
- 7000-12361-2151000

For further details see the wiring-solutions section of our catalog or our website

See our website for complete Engineering drawings.



BVS-4 Series Control Distribution Blocks

BVS-4 Series Control Distribution Blocks Accessories



BVPS-BP

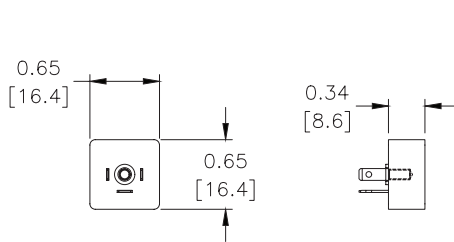


BVM-4BP1

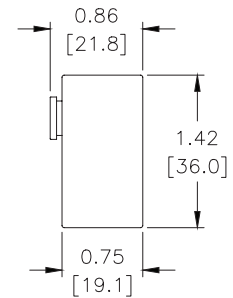
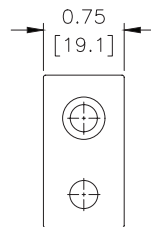
AVPS Series Control Distribution Blocks Accessories			
Part No.	Description	Price	Weight (lbs)
BVPS-BP	NITRA blanking plug, for use with BVPS series control distribution blocks.		0.1
BVM-4BP1	NITRA blanking plug, fiberglass reinforced plastic. For use with BVM-4x25 manifolds.		0.1
BVM-4BP2	NITRA blanking plug, fiberglass reinforced plastic. For use with BVM-4x6M manifolds.		0.1

Dimensions

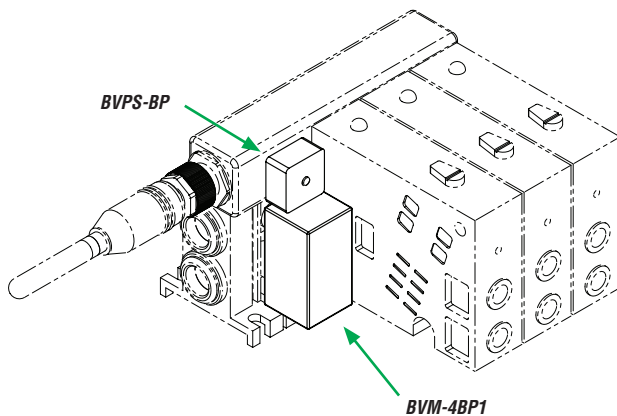
inches [mm]



Part No. BVPS-BP



Part No. BVM-4BPx



See our website for complete Engineering drawings.