



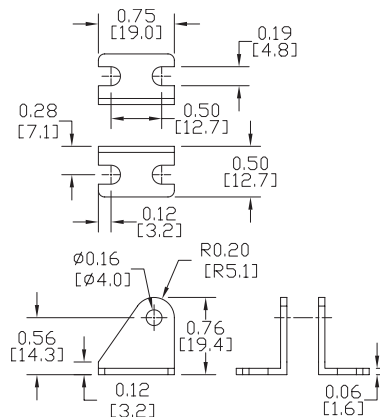
A-Series Pneumatic Cylinders 7/16 inch Bore Accessories

A-Series Pneumatic Cylinder 7/16 inch Bore Accessories				
Part Number	Description	Pcs/Pkg	Wt (lb)	Price
APB-1	Cylinder pivot mounting bracket without pivot pin used to mount 7/16 and 9/16 inch bore NITRA pneumatic stainless steel round body, interchangeable, non-repairable cylinders.	1	0.1	
AMB-3	Cylinder mounting bracket used to mount 7/16 inch bore NITRA pneumatic stainless steel round body, interchangeable, non-repairable cylinders.	1	0.1	
AMB-4	Cylinder mounting bracket used to mount 7/16 and 9/16 inch bore NITRA pneumatic stainless steel round body, interchangeable, non-repairable cylinders.	1	0.1	
ARC-10-32	Cylinder rod clevis and hex nut, #10-32 thread, for use with 7/16 and 9/16 inch bore NITRA pneumatic stainless steel round body, interchangeable, non-repairable cylinders.	1	0.1	
AN-38-24	Cylinder mounting nut with 3/8-24 UNF-2B threads used to mount 7/16 inch bore NITRA pneumatic stainless steel round body, interchangeable, non-repairable cylinders.	1	0.1	
AN-716-20	Cylinder mounting nut with 7/16-20 UNF-2B threads used to mount 7/16 inch and 9/16 inch bore NITRA pneumatic stainless steel round body, interchangeable, non-repairable cylinders.	1	0.2	

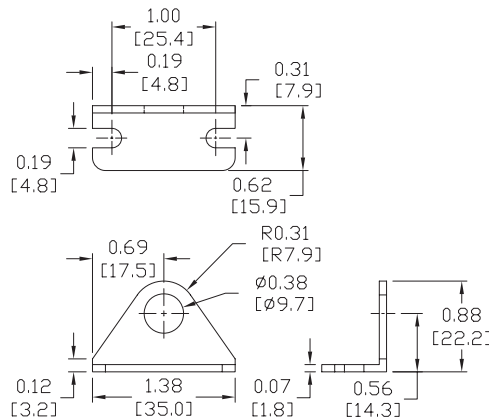
Dimensions

inches [mm]

APB-1



AMB-3



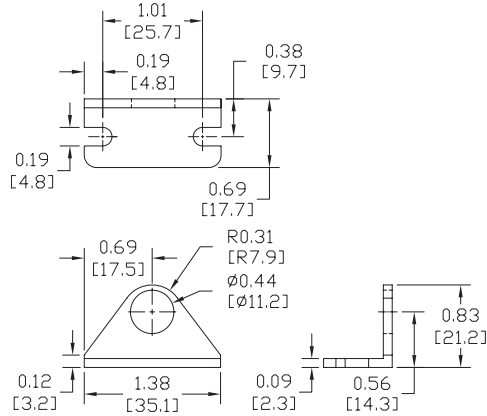
A-Series Pneumatic Cylinders

7/16 inch Bore Accessories

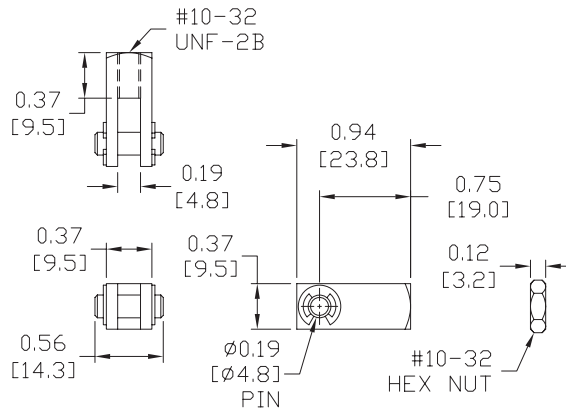
Dimensions

inches [mm]

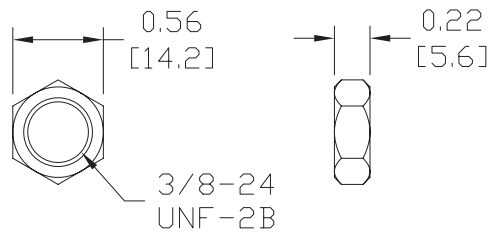
AMB-4



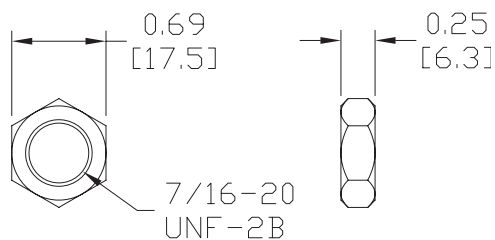
ARC-10-32



AN-38-24



AN-716-20





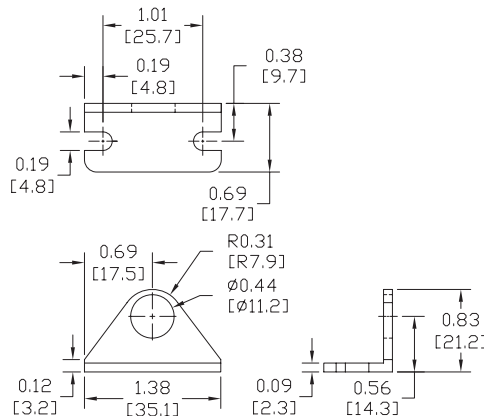
A-Series Pneumatic Cylinders 9/16 inch Bore Accessories

A-Series Pneumatic Cylinder 9/16 inch Bore Accessories				
Part Number	Description	Pcs/Pkg	Wt (lb)	Price
AMB-4	Cylinder mounting bracket used to mount 7/16 and 9/16 inch bore NITRA pneumatic stainless steel round body, interchangeable, non-repairable cylinders.	1	0.1	
ARC-10-32	Cylinder rod clevis and hex nut, #10-32 thread, for use with 7/16 and 9/16 inch bore NITRA pneumatic stainless steel round body, interchangeable, non-repairable cylinders.	1	0.1	
APBP-2	Cylinder pivot mounting bracket with pivot pin used to mount 9/16 inch bore NITRA pneumatic stainless steel round body, interchangeable, non-repairable cylinders.	1	0.1	
AN-716-20	Cylinder mounting nut with 7/16-20 UNF-2B threads used to mount 7/16 inch and 9/16 inch bore NITRA pneumatic stainless steel round body, interchangeable, non-repairable cylinders.	1	0.2	

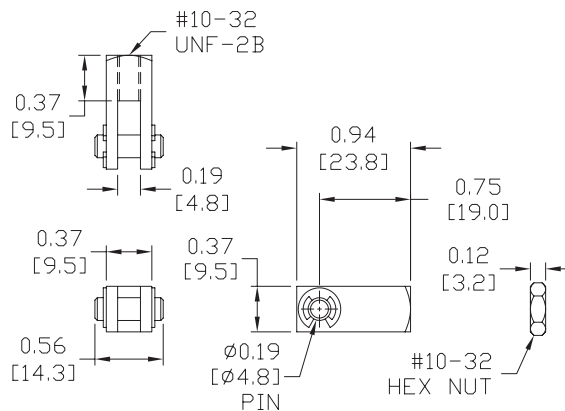
Dimensions

inches [mm]

AMB-4



ARC-10-32

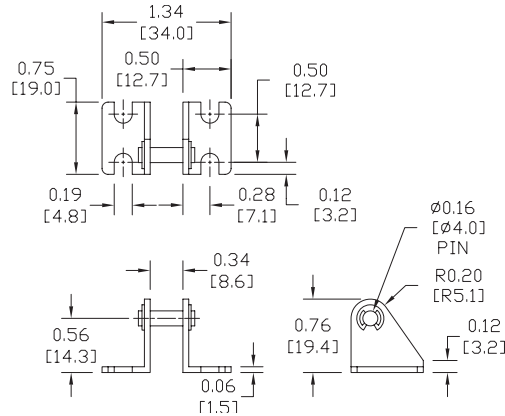


A-Series Pneumatic Cylinders 9/16 inch Bore Accessories

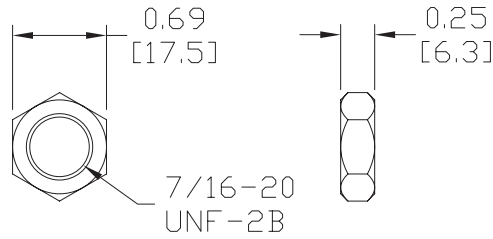
Dimensions

inches [mm]

APBP-2



AN-716-20





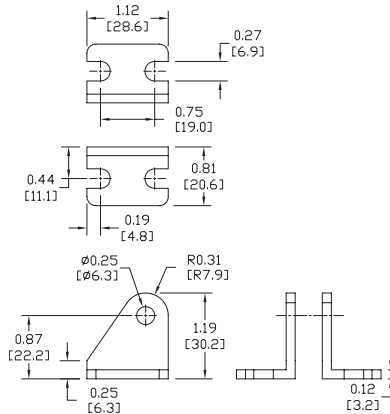
A-Series Pneumatic Cylinders 3/4 inch Bore Accessories

A-Series Pneumatic Cylinder 3/4 inch Bore Accessories				
Part Number	Description	Pcs/Pkg	Wt (lb)	Price
APB-2	Cylinder pivot mounting bracket without pivot pin used to mount 3/4, 7/8, and 1-1/16 inch bore NITRA pneumatic stainless steel round body, interchangeable, non-repairable cylinders.	1	0.1	
AMB-5	Cylinder mounting bracket used to mount 3/4 inch bore NITRA pneumatic stainless steel round body, interchangeable, non-repairable cylinders.	1	0.1	
AMB-6	Cylinder mounting bracket used to mount 3/4, 7/8, and 1-1/16 inch bore NITRA pneumatic stainless steel round body, interchangeable, non-repairable cylinders.	1	0.1	
ARC-14-28	Cylinder rod clevis and hex nut, 1/4-28 thread, for use with 3/4 and 7/8 inch bore NITRA pneumatic stainless steel round body, interchangeable, non-repairable cylinders.	1	0.1	
AN-58-18	Cylinder mounting nut with 5/8-18 UNF-2B threads used to mount 3/4, 7/8 and 1-1/16 inch bore NITRA pneumatic stainless steel round body, interchangeable, non-repairable cylinders.	1	0.1	
AN-12-20	Cylinder mounting nut with 1/2-10 UNF-2B threads used to mount 3/4 inch bore NITRA pneumatic stainless steel round body, interchangeable, non-repairable cylinders.	1	0.2	

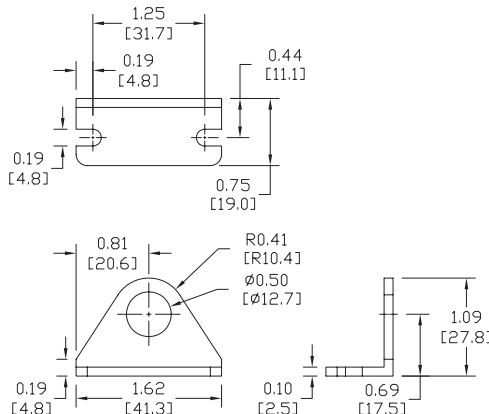
Dimensions

inches [mm]

APB-2



AMB-5



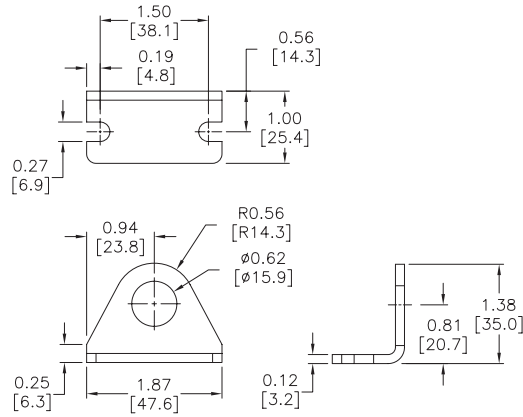
A-Series Pneumatic Cylinders

3/4 inch Bore Accessories

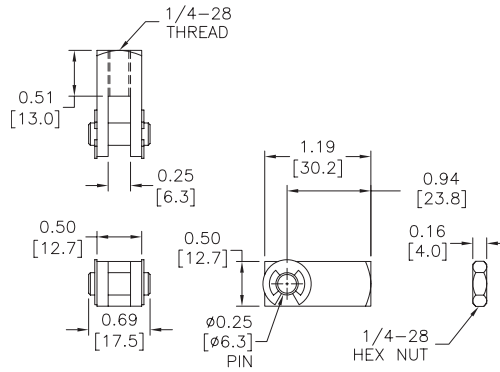
Dimensions

inches [mm]

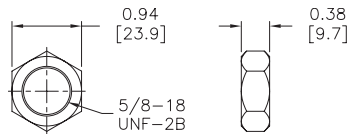
AMB-6



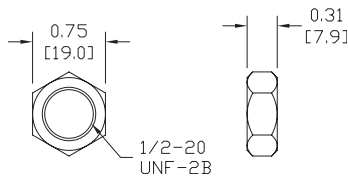
ARC-14-28



AN-58-18



AN-12-20





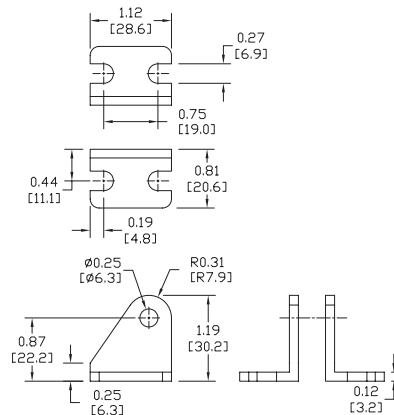
A-Series Pneumatic Cylinders 7/8 inch Bore Accessories

A-Series Pneumatic Cylinder 7/8 inch Bore Accessories				
Part Number	Description	Pcs/Pkg	Wt (lb)	Price
APB-2	Cylinder pivot mounting bracket without pivot pin used to mount 3/4, 7/8, and 1-1/16 inch bore, NITRA pneumatic, stainless steel, round body, interchangeable, non-repairable cylinders.	1	0.1	
AMB-6	Cylinder mounting bracket used to mount 3/4, 7/8, and 1-1/16 inch bore NITRA pneumatic, stainless steel, round body, interchangeable, non-repairable cylinders.	1	0.1	
APBP-3	Cylinder pivot mounting bracket with pivot pin used to mount 7/8 inch bore NITRA pneumatic, stainless steel, round body, interchangeable, non-repairable cylinders.	1	0.1	
ARC-14-28	Cylinder rod clevis and hex nut, 1/4-28 thread, for use with 3/4 and 7/8 inch bore NITRA pneumatic, stainless steel, round body, interchangeable, non-repairable cylinders.	1	0.1	
AN-58-18	Cylinder mounting nut with 5/8-18 UNF-2B threads used to mount 3/4, 7/8 and 1-1/16 inch bore NITRA pneumatic, stainless steel, round body, interchangeable, non-repairable cylinders.	1	0.1	

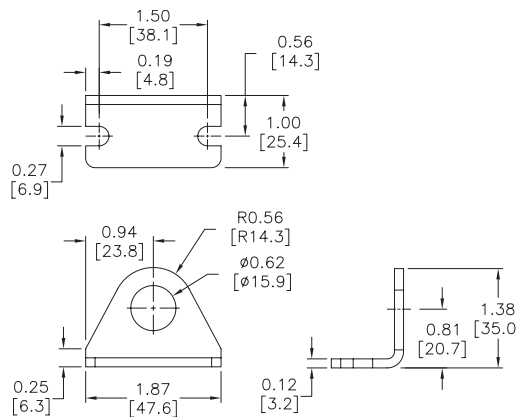
Dimensions

inches [mm]

APB-2



AMB-6





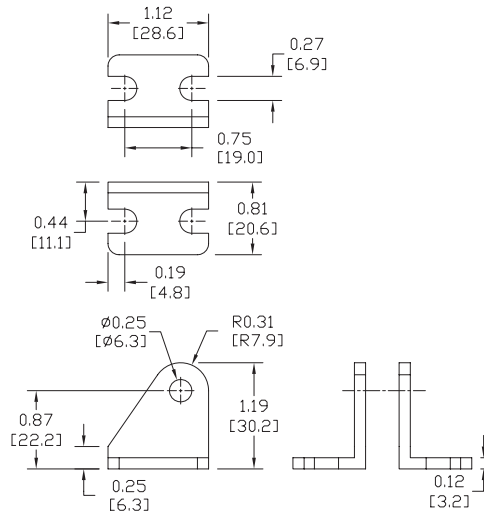
A-Series Pneumatic Cylinders 1-1/16 inch Bore Accessories

A-Series Pneumatic Cylinder 1-1/16 inch Bore Accessories				
Part Number	Description	Pcs/Pkg	Wt (lb)	Price
APB-2	Cylinder pivot mounting bracket without pivot pin used to mount 3/4, 7/8, and 1-1/16 inch bore NITRA pneumatic stainless steel round body, interchangeable, non-repairable cylinders.	1	0.2	
AMB-6	Cylinder mounting bracket used to mount 3/4, 7/8, and 1-1/16 inch bore NITRA pneumatic stainless steel round body, interchangeable, non-repairable cylinders.	1	0.1	
ARC-516-24	Cylinder rod clevis and hex nut, 5/16-24 thread, for use with 1-1/16 inch bore NITRA pneumatic stainless steel round body, interchangeable, non-repairable cylinders.	1	0.1	
AN-58-18	Cylinder mounting nut with 5/8-18 UNF-2B threads used to mount 3/4, 7/8 and 1-1/16 inch bore NITRA pneumatic stainless steel round body, interchangeable, non-repairable cylinders.	1	0.1	

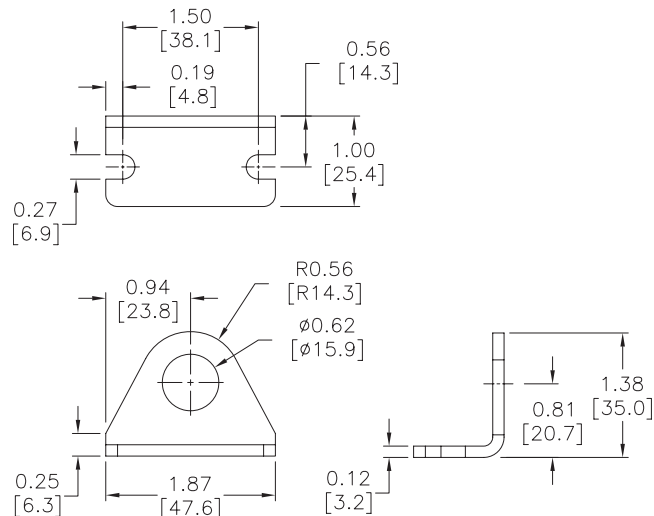
Dimensions

inches [mm]

APB-2



AMB-6



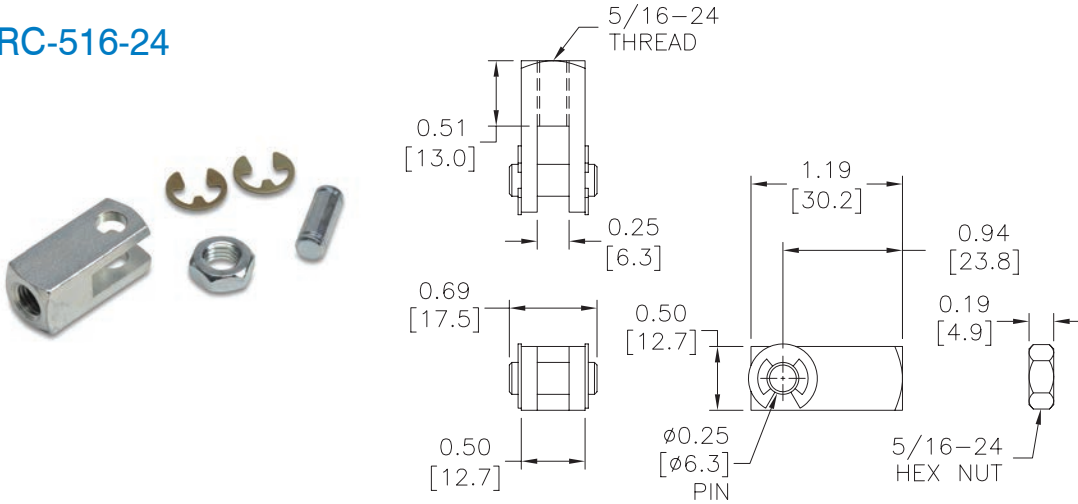


A-Series Pneumatic Cylinders 1-1/16 inch Bore Accessories

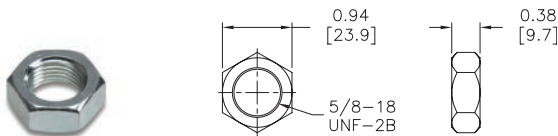
Dimensions

inches [mm]

ARC-516-24



AN-58-18



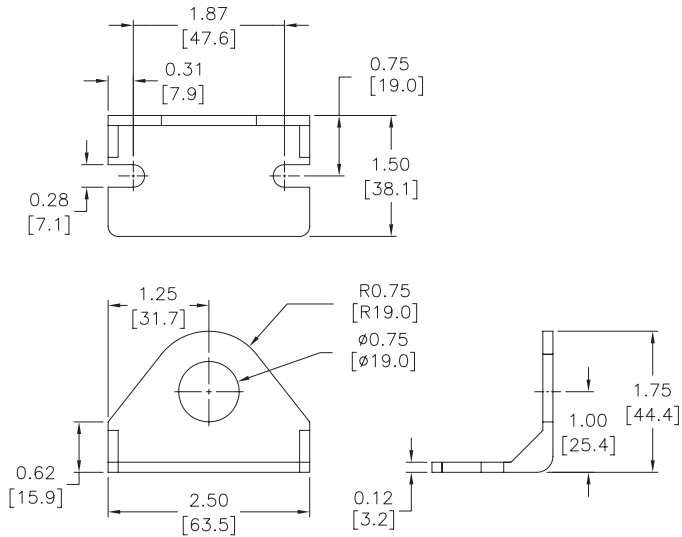


A-Series Pneumatic Cylinders 1-1/4 inch Bore Accessories

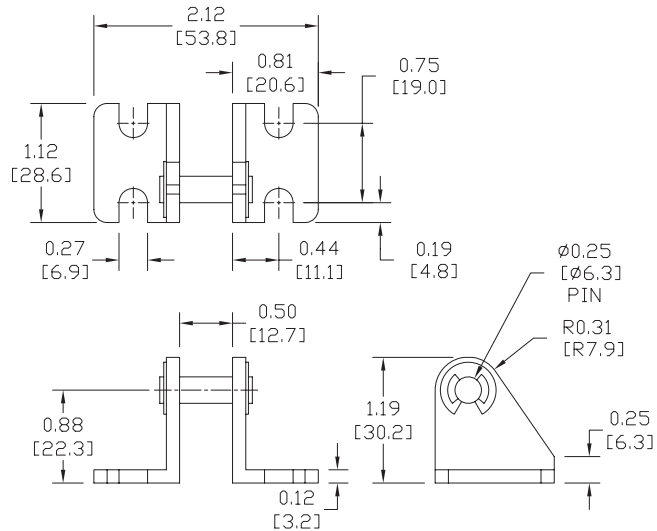
A-Series Pneumatic Cylinder 1-1/4 inch Bore Accessories				
Part Number	Description	Pcs/Pkg	Wt (lb)	Price
AMB-7	Cylinder mounting bracket used to mount 1-1/4 and 1-1/2 inch bore NITRA pneumatic stainless steel round body, interchangeable, non-repairable cylinders.	1	0.2	
APBP-4	Cylinder pivot mounting bracket with pivot pin used to mount 1-1/4 inch bore NITRA pneumatic stainless steel round body, interchangeable, non-repairable cylinders.	1	0.1	
ARC-716-20	Cylinder rod clevis and hex nut, 7/16-20 thread, for use with 1-1/4 and 1-1/2 inch bore NITRA pneumatic stainless steel round body, interchangeable, non-repairable cylinders.	1	0.1	
AN-34-16	Cylinder mounting nut with 3/4-16 UNF-2B threads used to mount 1-1/4 and 1-1/2 inch bore NITRA pneumatic stainless steel round body, interchangeable, non-repairable cylinders.	1	0.1	

Dimensions inches [mm]

AMB-7



APBP-4



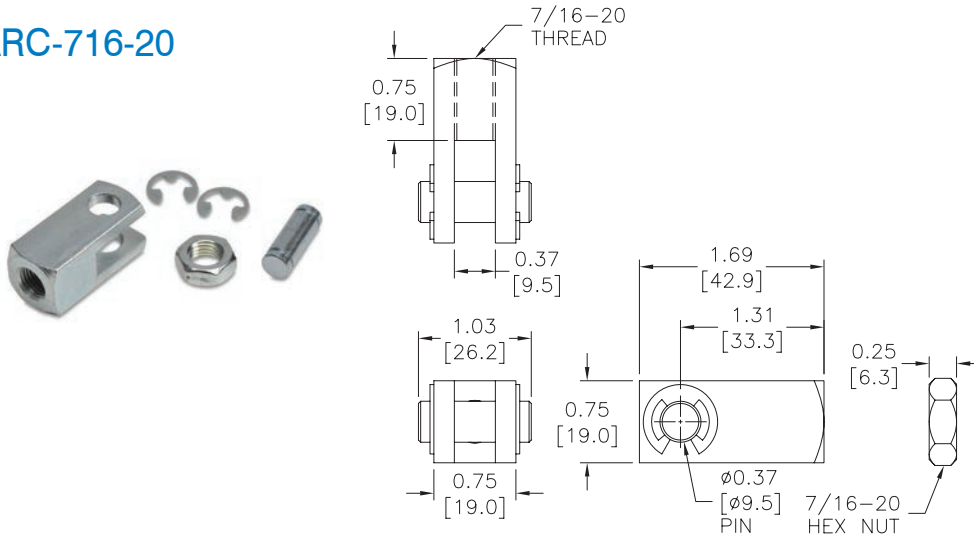


A-Series Pneumatic Cylinders 1-1/4 inch Bore Accessories

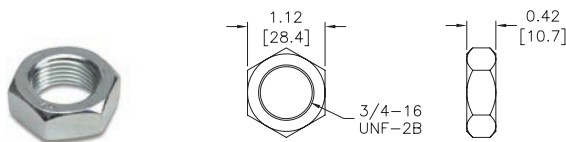
Dimensions

inches [mm]

ARC-716-20



AN-34-16





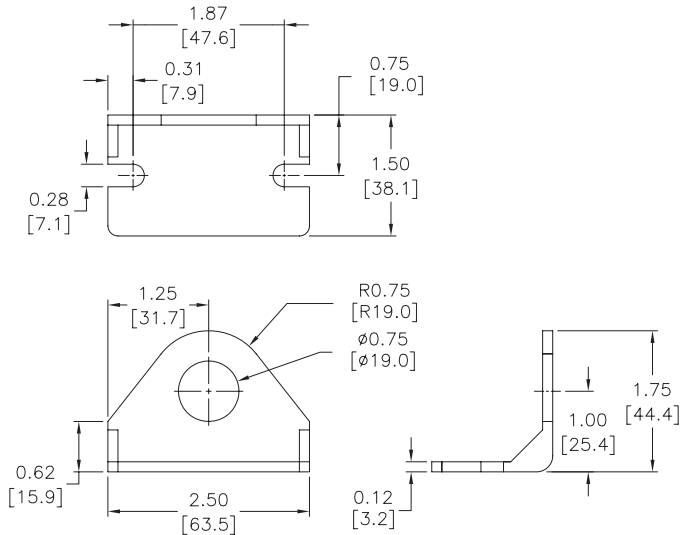
A-Series Pneumatic Cylinders 1-1/2 inch Bore Accessories

A-Series Pneumatic Cylinder 1-1/2 inch Bore Accessories				
Part Number	Description	Pcs/Pkg	Wt (lb)	Price
AMB-7	Cylinder mounting bracket used to mount 1-1/4 and 1-1/2 inch bore NITRA pneumatic stainless steel round body, interchangeable, non-repairable cylinders.	1	0.2	
APB-3	Cylinder pivot mounting bracket without pivot pin used to mount 1-1/2 bore NITRA pneumatic stainless steel round body, interchangeable, non-repairable cylinders.	1	0.2	
ARC-716-20	Cylinder rod clevis and hex nut, 7/16-20 thread, for use with 1-1/4 and 1-1/2 inch bore NITRA pneumatic stainless steel round body, interchangeable, non-repairable cylinders.	1	0.1	
AN-34-16	Cylinder mounting nut with 3/4-16 UNF-2B threads used to mount 1-1/4 and 1-1/2 inch bore NITRA pneumatic stainless steel round body, interchangeable, non-repairable cylinders.	1	0.1	

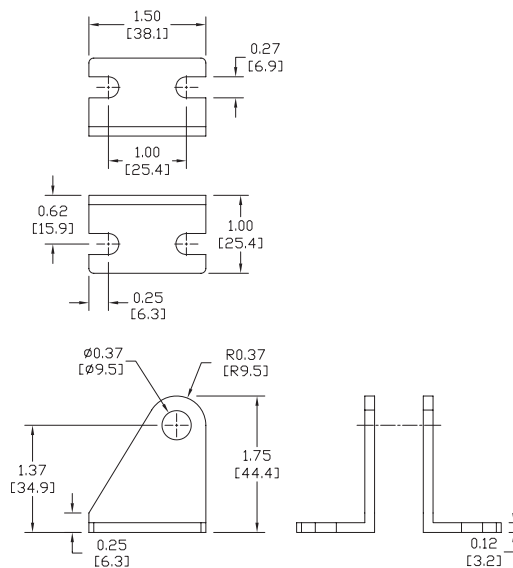
Dimensions

inches [mm]

AMB-7



APB-3



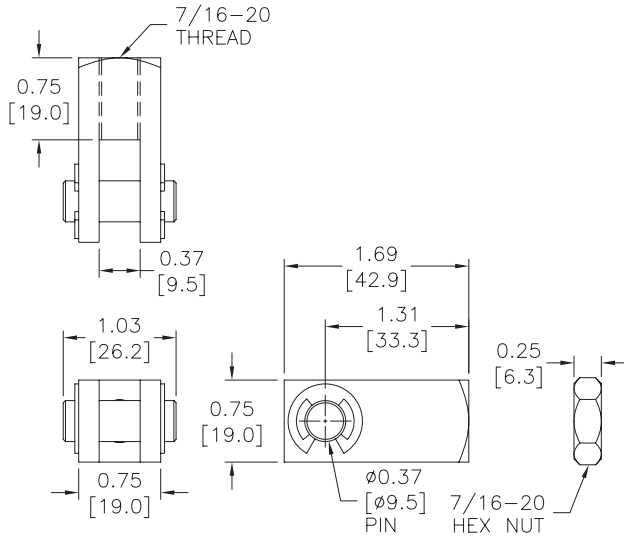


A-Series Pneumatic Cylinders 1-1/2 inch Bore Accessories

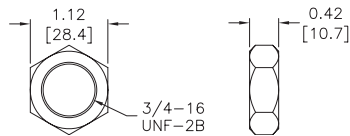
Dimensions

inches [mm]

ARC-716-20



AN-34-16





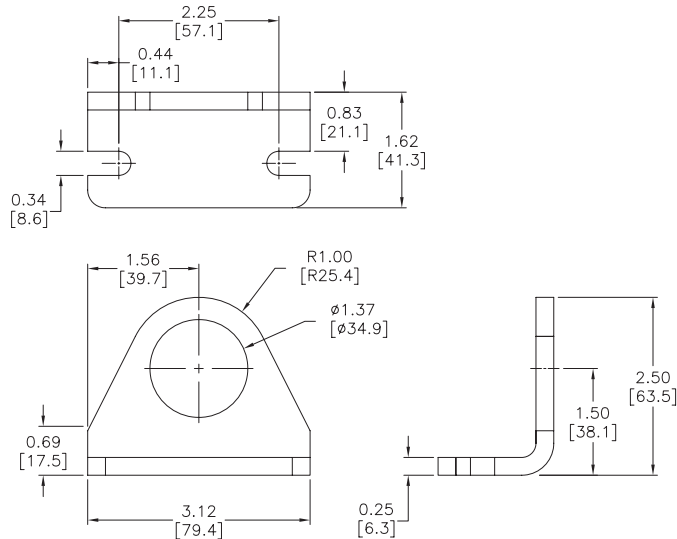
A-Series Pneumatic Cylinders 2 inch Bore Accessories

A-Series Pneumatic Cylinder 2 inch Bore Accessories				
Part Number	Description	Pcs/Pkg	Wt (lb)	Price
AMB-11	Cylinder mounting bracket used to mount 2 inch bore NITRA pneumatic stainless steel round body, interchangeable, non-repairable cylinders.	1	0.5	
APBP-5	Cylinder pivot mounting bracket with pivot pin used to mount 2 inch bore NITRA pneumatic stainless steel round body, interchangeable, non-repairable cylinders.	1	0.4	
ARC-12-20	Cylinder rod clevis and hex nut, 1/2-20 thread, for use with 2 inch bore NITRA pneumatic stainless steel round body, interchangeable, non-repairable cylinders.	1	0.2	
AN-114-12	Cylinder mounting nut with 1-1/4-12 UNF-2B threads used to mount 2 inch bore NITRA pneumatic stainless steel round body, interchangeable, non-repairable cylinders.	1	0.3	

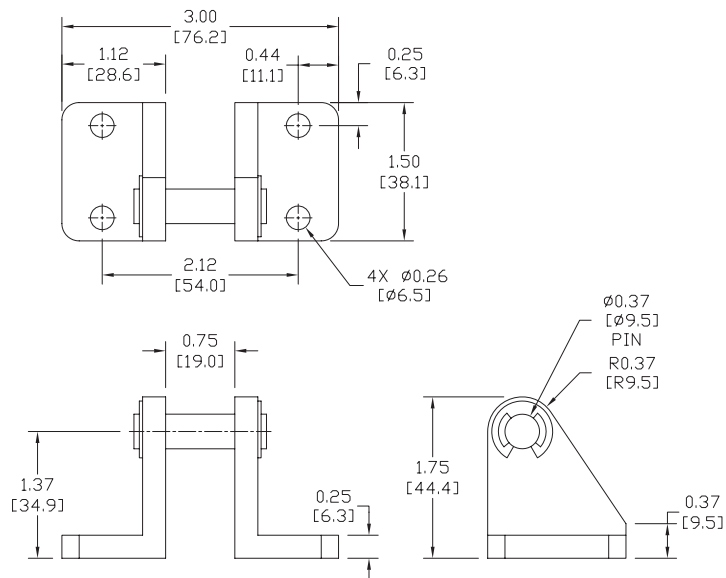
Dimensions

inches [mm]

AMB-11



APBP-5

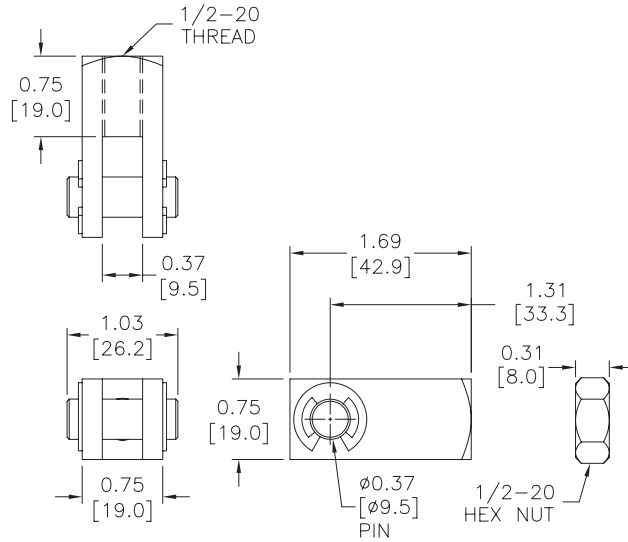


A-Series Pneumatic Cylinders 2 inch Bore Accessories

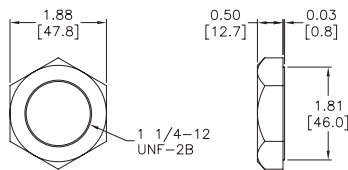
Dimensions

inches [mm]

ARC-12-20



AN-114-12



Position Switch Cross Reference Chart			
NITRA Switch Type	Cylinder Brand (may fit some of these cylinders)	Photo Example	Groove Illustration
CPS CPSF	NITRA A-Series, D-Series, F-Series		
CPS9C	DE-STA-CO Robohand SMC Compact Air		
CPS9D	Fabco Numatics Rotomation		
CPS9F	NITRA G-Series Fabco Festo Numatics Rotomation		
CPS9H	NITRA E-Series NITRA H-Series		
CPS9M	Norgren		
CPS9Q	NITRA G-Series Parker		
CPS9T	SMC		