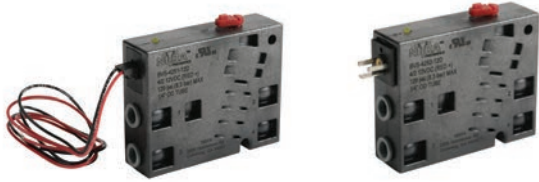




Pneumatic Directional Control Solenoid Valves – BVS-4 Series



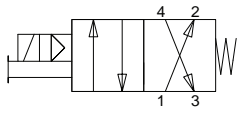
BVS Series Solenoid with Leads **BVS Series Solenoid with DIN 43650 Form C**

NITRA pneumatic BVS-4 series modular solenoid valves are body ported 4-port (4-way) spool valve models have removable flying leads or an 8 mm Micro DIN connector. Units are only DIN rail mountable when used with BVM series manifolds.

Features

- Body ported, 4-port (4-way) spool valves
- 1/4" (6mm) push-to-connect ports
- Flow coefficients (Cv) 0.8
- 2-position, single solenoid spring return
- 12VDC, 24VDC, 24VAC or 120VAC solenoid coils with LED status indication & surge suppression diode
- Flying leads or 8mm DIN connection
- Lever manual operator - latching
- 2-year warranty

Valve Symbol



BVS (4-port, 2-position) 4 Series Specifications								
Models	BVS-4251-12D	BVS-4252-12D	BVS-4251-24D	BVS-4252-24D	BVS-4251-24A	BVS-4252-24A	BVS-4251-120A	BVS-4252-120A
Price								
Weight (lbs)	0.2							
Acting	Spool (2-Position)							
Port Size	1/4" Push-to-Connect							
Orifice Size	0.2" [5.0 mm] (Cv = 0.8)							
Fluid	Air or Inert Gas (to be filtered by 40µ filter element)							
Min. / Max. Pressure	30psi (2bar) - 120psi (8.3 bar)							
Vacuum	Air pilot models can be used in vacuum applications with external air signal to pilot ports.							
Body	Glass Reinforced Thermoplastic							
Voltage	12VDC		24VDC		24VAC		120VAC	
Inrush Power	1.6 W		1.4 W		1.4 VA		1.7 VA	
Continuous ON Power	1.3 W		1.2 W		1.2 VA		1.5 VA	
Expected Life	20,000,000 cycles at max 3 cycles/second							
Wiring	Removable 18" Flying Leads	DIN 43650 Form C	Removable 18" Flying Leads	DIN 43650 Form C	Removable 18" Flying Leads	DIN 43650 Form C	Removable 18" Flying Leads	DIN 43650 Form C
Response Time	0.016 sec							
Temperature - Operation and Storage	0-120°F (-18-49°C)							
Lubrication	Not Required							
Protection	IP 65							



Pneumatic Directional Control Solenoid Valves – BVS-4 Series

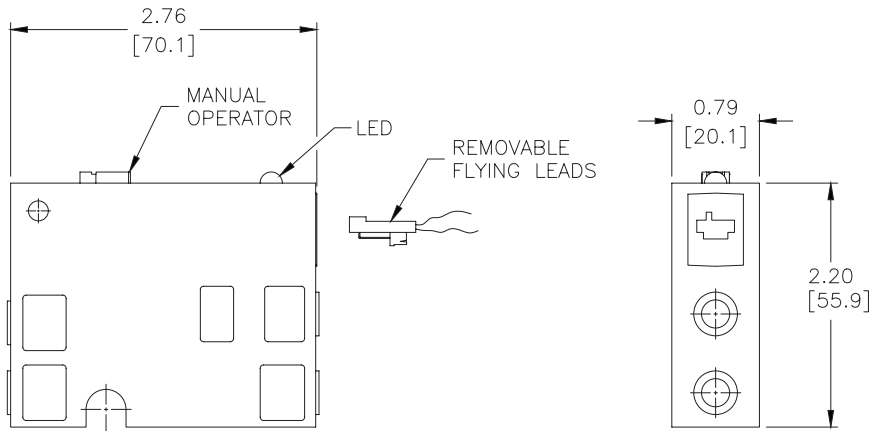
BVS (4-port, 2-position) 4 Series Specifications								
Models	BVS-46M1-12D	BVS-46M2-12D	BVS-46M1-24D	BVS-46M2-24D	BVS-46M1-24A	BVS-46M2-24A	BVS-46M1-120A	BVS-46M2-120A
Price								
Weight (lbs)	0.2							
Acting	Spool (2-Position)							
Port Size	6mm Push-to-Connect							
Orifice Size	0.2" [5.0 mm] (Cv = 0.8)							
Fluid	Air or Inert Gas (to be filtered by 40µ filter element)							
Min. / Max. Pressure	30psi (2bar) - 120psi (8.3 bar)							
Vacuum	Air pilot models can be used in vacuum applications with external air signal to pilot ports.							
Body	Glass Reinforced Thermoplastic							
Voltage	12VDC		24VDC		24VAC		120VAC	
Inrush Power	1.6 W		1.4 W		1.4 VA		1.7 VA	
Continuous ON Power	1.3 W		1.2 W		1.2 VA		1.5 VA	
Expected Life	20,000,000 cycles at max 3 cycles/second							
Wiring	Removable 18" Flying Leads	DIN 43650 Form C	Removable 18" Flying Leads	DIN 43650 Form C	Removable 18" Flying Leads	DIN 43650 Form C	Removable 18" Flying Leads	DIN 43650 Form C
Response Time	0.016 sec							
Temperature - Operation and Storage	0-120°F (-18-49°C)							
Lubrication	Not Required							
Protection	IP 65							



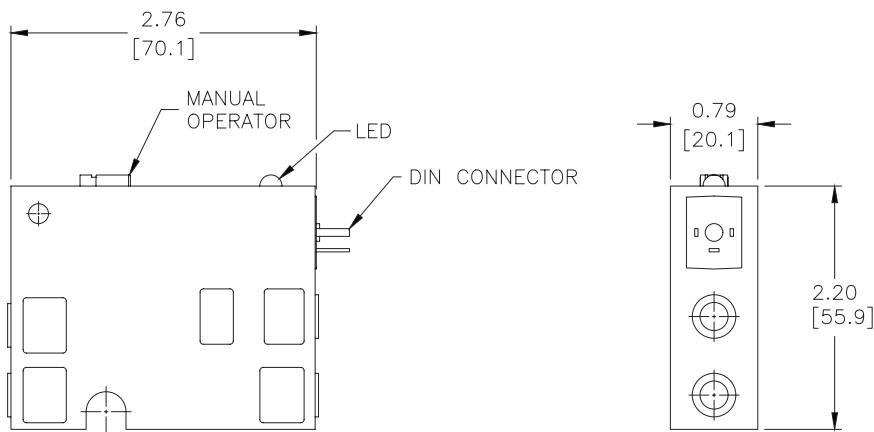
Pneumatic Directional Control Solenoid Valves – BVS-4 Series

Dimensions

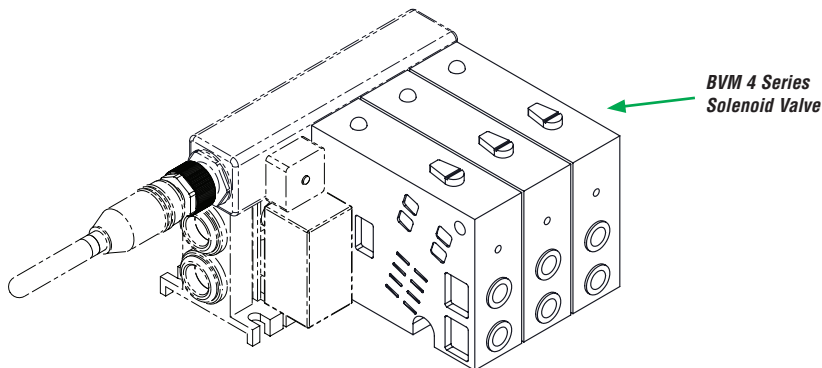
inches [mm]



BVS 4 Series w/Removable Leads



BVS 4 Series w/DIN 43650 Form C



See our website
for complete Engineering drawings.



Manifolds for Modular Solenoid Valves – BVM-4 Series



BVM - 2-Station



BVM - 3-Station



BVM - 4-Station

NITRA pneumatic BVM-4 series modular manifolds simplify the mounting of BVS-4 series solenoid valves. Made of sturdy glass reinforced thermoplastic with DIN rail mounting clips included, they are available in 2, 3 and 4-station models. Push-to-connect inlet and outlet ports allow quick and easy tubing connections.

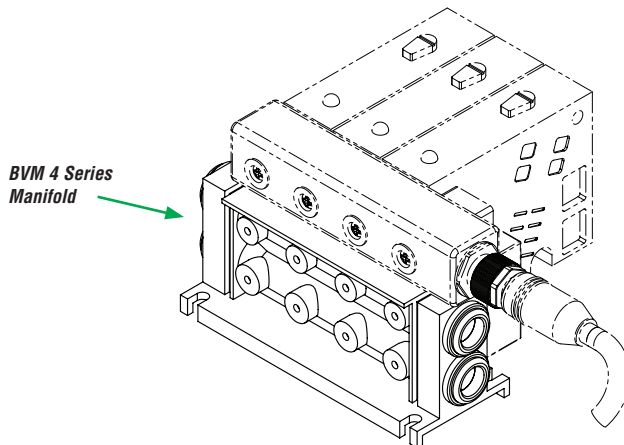
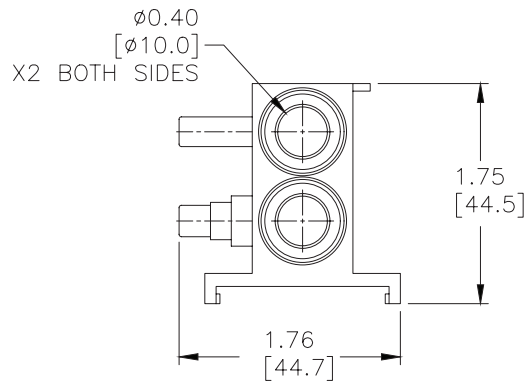
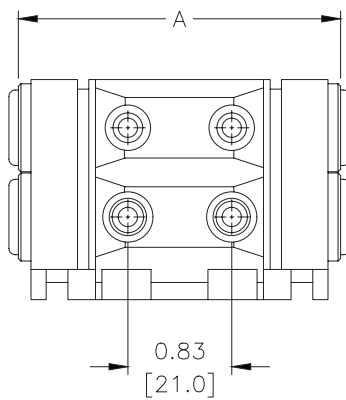
Features

- No tools required to install/remove valves
- 2, 3 or 4-station manifolds available
- 3/8" or 10mm tube inlets and outlets
- 35 mm DIN rail mounting clips included
- 2-year warranty

BVM Series Manifolds						
Part No.	Stations	Inlet	Outlet	Dimension "A" in [mm]	Price	Weight (lbs)
BVM-4225	2	3/8"	3/8"	2.71 [68.9]		0.3
BVM-426M	2	10mm	10mm			
BVM-4325	3	3/8"	3/8"	3.54 [89.9]		0.3
BVM-436M	3	10mm	10mm			
BVM-4425	4	3/8"	3/8"	4.37 [110.9]		0.3
BVM-446M	4	10mm	10mm			

Dimensions inches [mm]

2-Station Manifold



See our website
for complete Engineering drawings.

BVS-4 Series Control Distribution Blocks



Part No. BVPS-4

NITRA pneumatic control distribution blocks are a convenient way to connect a bank of valves to a controller. Replace a bundle of solenoid cables with one 5-pole M12 cable. Each block matches up with a manifold of two to four stations.

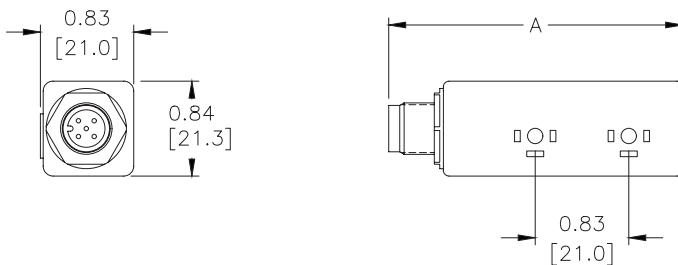
Features

- Single 5-pole M12 wiring connection
- IP 65 rating
- 2 to 4 stations

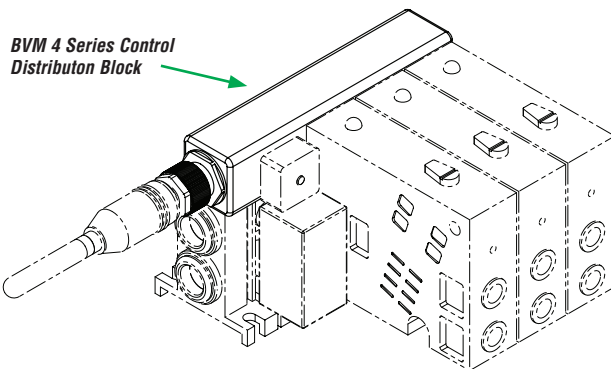
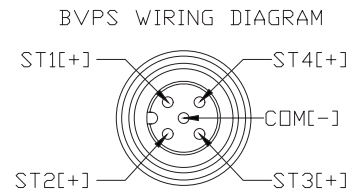
BVS-4 Series Control Distribution Blocks				
Part No.	Description	Dimension "A" in [mm]	Price	Weight (lbs)
BVPS-2	NITRA control distribution block, AC/DC, 2 stations, M12 connector. For use with BVS-4 series valves.	2.60 [66.0]		0.2
BVPS-3	NITRA control distribution block, AC/DC, 3 stations, M12 connector. For use with BVS-4 series valves.	3.43 [87.0]		0.3
BVPS-4	NITRA control distribution block, AC/DC, 4 stations, M12 connector. For use with BVS-4 series valves.	4.25 [108.0]		0.3

Dimensions

inches [mm]



Wiring



For the BVS-4 Control Distribution Block use one of the following cable part numbers:

- 7000-12241-2150300
- 7000-12361-2150300
- 7000-12241-2150500
- 7000-12361-2150500
- 7000-12241-2151000
- 7000-12361-2151000

For further details see the wiring-solutions section of our catalog or our website

See our website for complete Engineering drawings.



BVS-4 Series Control Distribution Blocks

BVS-4 Series Control Distribution Blocks Accessories



BVPS-BP

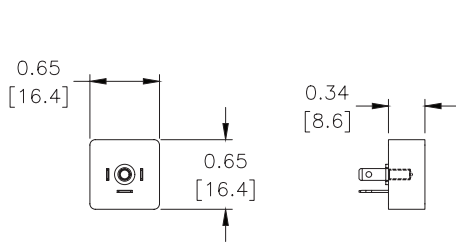


BVM-4BP1

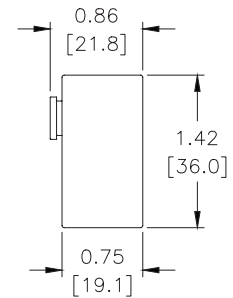
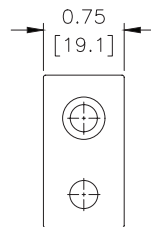
AVPS Series Control Distribution Blocks Accessories			
Part No.	Description	Price	Weight (lbs)
BVPS-BP	NITRA blanking plug, for use with BVPS series control distribution blocks.		0.1
BVM-4BP1	NITRA blanking plug, fiberglass reinforced plastic. For use with BVM-4x25 manifolds.		0.1
BVM-4BP2	NITRA blanking plug, fiberglass reinforced plastic. For use with BVM-4x6M manifolds.		0.1

Dimensions

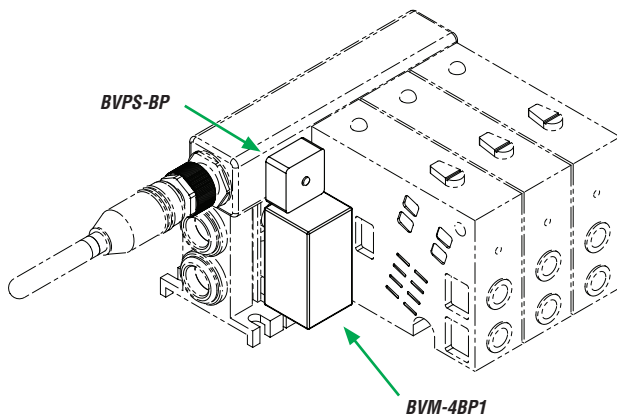
inches [mm]



Part No. BVPS-BP



Part No. BVM-4BPx



See our website for complete Engineering drawings.