

Exhaust Silencers

NITRA™ exhaust silencers are available in three styles and nine popular NPT and BSPT sizes. Add these to the exhaust ports of NITRA directional control solenoid valves to reduce noise.



SBC Series



SBF Series

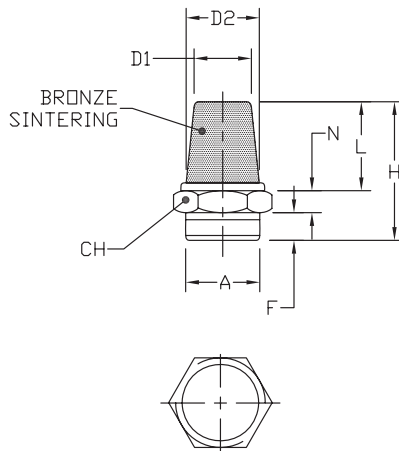


SPL Series

Features

- Inch and metric sizes available
- Bronze cone and flat styles
- Plastic cylindrical
- Maximum pressure = 150 psi (10 bar)

SBC Silencers

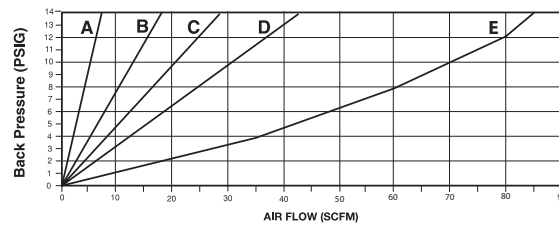


NITRA™ Bronze Cone Silencers											
Inch Sizes - dimensions in inches [mm]											
Part No.	Price	A	CH	D1	D2	F	H	L	N	Package Weight (lb)	Qty. per pack
SBC-18N		MNPT 1/8	0.47 [12.0]	0.32 [8.0]	0.28 [7.0]	0.24 [6.0]	0.94 [24.0]	0.55 [14.0]	0.16 [4.0]	0.01	2
SBC-14N		MNPT 1/4	0.63 [16.0]	0.47 [12.0]	0.40 [10.0]	0.32 [8.0]	1.18 [30.0]	0.71 [18.0]	0.16 [4.0]	0.01	
SBC-38N		MNPT 3/8	0.71 [18.0]	0.55 [14.0]	0.39 [11.0]	0.35 [9.0]	1.38 [35.0]	0.83 [21.0]	0.197 [5.0]	0.05	
SBC-12N		MNPT 1/2	0.94 [24.0]	0.75 [19.0]	0.59 [15.0]	0.40 [10.0]	1.73 [44.0]	1.10 [28.0]	0.24 [6.0]	0.15	
Metric Sizes - dimensions in inches [mm]											
SBC-M5		M5	0.31 [8.0]	0.20 [5.0]	0.16 [4.0]	0.20 [5.0]	0.79 [20.0]	0.47 [12.0]	0.12 [3.0]	0.01	2
SBC-18R		R 1/8	0.47 [12.0]	0.32 [8.0]	0.28 [7.0]	0.24 [6.0]	0.94 [24.0]	0.55 [14.0]	0.16 [4.0]	0.01	
SBC-14R		R 1/4	0.63 [16.0]	0.47 [12.0]	0.40 [10.0]	0.32 [8.0]	1.18 [30.0]	0.71 [18.0]	0.16 [4.0]	0.01	
SBC-38R		R 3/8	0.71 [18.0]	0.55 [14.0]	0.39 [11.0]	0.35 [9.0]	1.38 [35.0]	0.83 [21.0]	0.197 [5.0]	0.05	
SBC-12R		R 1/2	0.94 [24.0]	0.75 [19.0]	0.59 [15.0]	0.40 [10.0]	1.73 [44.0]	1.10 [28.0]	0.24 [6.0]	0.15	

Flow Characteristics

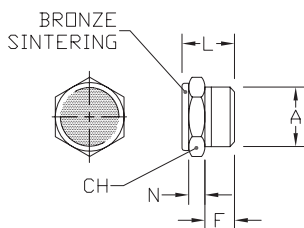
Bronze Cone Silencers

- A: SBC-M5
 B: SBC-18N; SBC-18R
 C: SBC-14N; SBC-14R
 D: SBC-38N; SBC-38R
 E: SBC-12N; SBC-12R



Noise Elimination = > 20db
 Filtered Element = 40 micron

SBF Silencers

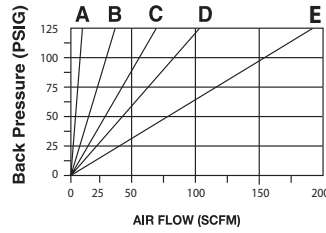


NITRA™ Bronze Flat Silencers									
Inch Sizes - dimensions in inches [mm]									
Part No.	Price	A	CH	F	L	N	Package Weight (lb)	Qty. per pack	
SBF-18N		MNPT 1/8	0.47 [12.0]	0.24 [6.0]	0.47 [12.0]	0.16 [4.0]	0.01	2	
SBF-14N		MNPT 1/4	0.67 [17.0]	0.32 [8.0]	0.59 [15.0]	0.16 [4.0]	0.01		
SBF-38N		MNPT 3/8	0.75 [19.0]	0.35 [9.0]	0.67 [17.0]	0.20 [5.0]	0.05		
SBF-12N		MNPT 1/2	0.94 [24.0]	0.40 [10.0]	0.71 [18.0]	0.24 [6.0]	0.15		
Metric Sizes - dimensions in inches [mm]									
SBF-M5		M5	0.31 [8.0]	0.20 [5.0]	0.35 [9.0]	0.12 [3.0]	0.01	2	
SBF-18R		R 1/8	0.47 [12.0]	0.24 [6.0]	0.47 [12.0]	0.16 [4.0]	0.01		
SBF-14R		R 1/4	0.67 [17.0]	0.32 [8.0]	0.59 [15.0]	0.16 [4.0]	0.01		
SBF-38R		R 3/8	0.75 [19.0]	0.35 [9.0]	0.67 [17.0]	0.20 [5.0]	0.05		
SBF-12R		R 1/2	0.94 [24.0]	0.40 [10.0]	0.71 [18.0]	0.24 [6.0]	0.15		

Flow Characteristics

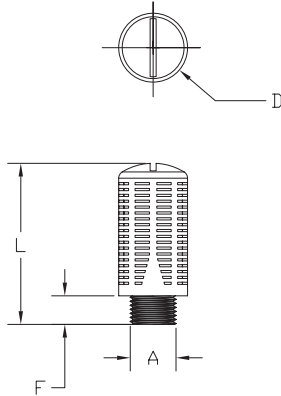
Bronze Flat Silencers

- A: SBF-M5
- B: SBF-18N; SBF-18R
- C: SBF-14N; SBF-14R
- D: SBF-28N; SBF-38R
- E: SBF-12N; SBF-12R



Noise Elimination = > 30db
Filtered Element = 40 micron

SPL Silencers



Note: SPL series plastic exhaust silencers have a maximum pressure of 80 PSI (5.5 bar).

NITRA™ Plastic Exhaust Silencers

Inch Sizes - dimensions in inches [mm]

Part No.	Price	A	D	L	F	Package Weight (lbs)	Qty. per pack
SPL-18N		MNPT 1/8	0.55 [13.8]	1.28 [32.4]	0.33 [8.3]	0.02	2
SPL-14N		MNPT 1/4	0.68 [17.3]	1.68 [42.5]	0.39 [9.9]	0.03	
SPL-38N		MNPT 3/8	0.87 [22.0]	2.10 [53.4]	0.40 [10.0]	0.06	
SPL-12N		MNPT 1/2	1.00 [25.4]	2.66 [67.6]	0.44 [11.1]	0.08	

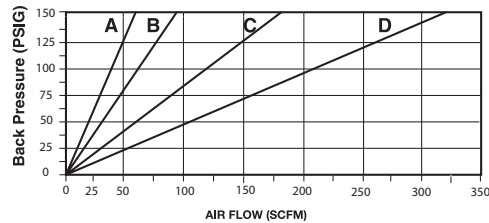
Metric Sizes - dimensions in inches [mm]

SPL-18R		R 1/8	0.60 [15.2]	1.33 [33.7]	0.24 [6.1]	0.02	2
SPL-14R		R 1/4	0.60 [18.8]	1.60 [40.6]	0.31 [7.7]	0.03	
SPL-38R		R 3/8	0.94 [24.0]	2.20 [55.9]	0.39 [9.9]	0.06	
SPL-12R		R 1/2	0.94 [24.0]	2.20 [55.9]	0.39 [9.9]	0.08	

Flow Characteristics

Plastic Silencers

- A: SPL-18N; SPL-18R
- B: SPL-14N; SPL-14R
- C: SPL-38N; SPL-38R
- D: SPL-12N; SPL-12R



Noise Elimination = > 30db
Filtered Element = 40 micron