



# G-Series ISO Pneumatic Cylinders – 40mm Bore

## 40mm Bore, Double-acting, Magnetic Piston, Cushions



Part no. G40M125MD-MC

NITRA pneumatic ISO 15552 interchangeable cylinder, 40mm bore, 16mm diameter piston rod, G1/4 (BSPP) female ports, double acting; flange, pivot and clevis mount options available. Adjustable cushions on both ends. See the end of the section for accessory details.

### Features

- Adjustable cushions
- Internal magnet for sensor switching
- Three sides with longitudinal slots for inserting and securing retractable sensors such as type CPS9F and CPS9Q (see position switches at the end of the cylinder section for further details)
- G (BSPP) threaded ports



40mm bore, double acting, tapped end caps				
Part Number	Price	Stroke Length (mm)	"A" (mm [inch])	Weight (lb)
G40M025MD-MC		25	130 [5.12]	1.8
G40M050MD-MC		50	155 [6.10]	2.0
G40M075MD-MC		75	180 [7.09]	2.2
G40M100MD-MC		100	205 [8.07]	2.5
G40M125MD-MC		125	230 [9.06]	2.7
G40M150MD-MC		150	255 [10.04]	2.9
G40M200MD-MC		200	305 [12.01]	3.4
G40M250MD-MC		250	355 [13.98]	3.8
G40M300MD-MC		300	405 [15.94]	4.3
G40M400MD-MC		400	505 [19.88]	5.1
G40M500MD-MC		500	605 [23.82]	6.0
G40M600MD-MC		600	705 [27.76]	6.9

Specifications	
Aluminum body and end caps	Plastoferrite magnet
C45 chromed piston rod	NBR (Nitrile Butadiene Rubber) buffer + static o-rings
Die cast aluminum head	NBR (Nitrile Butadiene Rubber) cushioning gasket
NBR (Nitrile Butadiene Rubber) piston and piston rod gasket	Brass cushioning needle with needle out movement safety system
Steel guide bushing with bronze and PTFE (Teflon) insert	Pressure rating 145 psi [10 bar], AIR ONLY
Drawn anodized aluminum body	Temperature rating 14°F to 176°F [-10°C to 80°C]
Self-lubricating technopolymer piston	
Extend force at 100 psi = 194.6 lb.	Retract force at 100 psi = 163.4 lb.

BSPP = British Standard Pipe Parallel

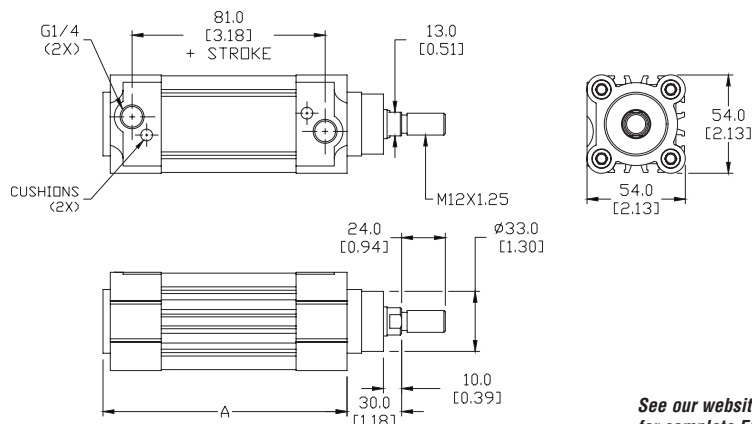
\* The cushions decelerate the piston rod over the last mm (approx.) of stroke and are adjustable. Cushioned cylinders have an adjustable orifice and pre-lubricated nitrile cushion seal.

Mounting Accessories	
Style	Part No.
Foot Mount	GMB-40MM
Front or Rear Flange	GFL-40MM
Male Rear Clevis	GMC-40MM
Spherical Male Clevis	GSMC-40MM

Rod Accessories	
Style	Part No.
Rod Clevis	GRC-M12-125
Rod Eye	GRE-M12-125
Self Aligning Rod Coupler	GRCP-M12-125
Rod Nut	GN-M12-125

### Dimensions

mm [inches]



See our website [for complete Engineering drawings.](#)



# G-Series ISO Pneumatic Cylinders – Accessories

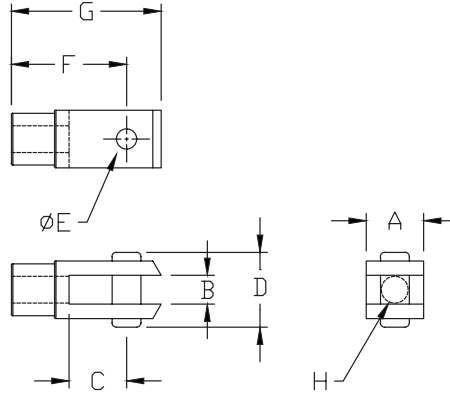
<b>D-Series Heavy Duty Pneumatic Cylinder Accessories</b>				
<b>Part Number</b>	<b>Description</b>	<b>Pcs/Pkg</b>	<b>Wt (lb)</b>	<b>Price</b>
<b>GRC-M10-125</b>	Rod clevis, M10 X 1.25 thread, zinc plated steel. For use with NITRA G-series cylinders.	1	0.2	
<b>GRC-M12-125</b>	Rod clevis, M12 X 1.25 thread, zinc plated steel. For use with NITRA G-series cylinders.	1	0.3	
<b>GRC-M16-15</b>	Rod clevis, M16 X 1.5 thread, zinc plated steel. For use with NITRA G-series cylinders.	1	0.8	
<b>GRC-M20-15</b>	Rod clevis, M20 X 1.5 thread, zinc plated steel. For use with NITRA G-series cylinders.	1	1.5	
<b>GRE-M10-125</b>	Rod eye, M10 X 1.25 thread, spherical bearing, zinc plated steel. For use with NITRA G-series cylinders.	1	0.2	
<b>GRE-M12-125</b>	Rod eye, M12 X 1.25 thread, spherical bearing, zinc plated steel. For use with NITRA G-series cylinders.	1	0.3	
<b>GRE-M16-15</b>	Rod eye, M16 X 1.5 thread, spherical bearing, zinc plated steel. For use with NITRA G-series cylinders.	1	0.5	
<b>GRE-M20-15</b>	Rod eye, M20 X 1.5 thread, spherical bearing, zinc plated steel. For use with NITRA G-series cylinders.	1	0.9	
<b>GRCP-M10-125</b>	Self-aligning rod coupler, M10 X 1.25 thread, zinc plated steel. For use with NITRA G-series cylinders.	1	0.5	
<b>GRCP-M12-125</b>	Self-aligning rod coupler, M12 X 1.25 thread, zinc plated steel. For use with NITRA G-series cylinders.	1	0.7	
<b>GRCP-M16-15</b>	Self-aligning rod coupler, M16 X 1.5 thread, zinc plated steel. For use with NITRA G-series cylinders.	1	1.4	
<b>GRCP-M20-15</b>	Self-aligning rod coupler, M20 X 1.5 thread, zinc plated steel. For use with NITRA G-series cylinders.	1	1.5	
<b>GMB-32MM</b>	Foot mount bracket, zinc plated steel. For use with 32mm bore NITRA G-series cylinders.	1	0.2	
<b>GMB-40MM</b>	Foot mount bracket, zinc plated steel. For use with 40mm bore NITRA G-series cylinders.	1	0.3	
<b>GMB-50MM</b>	Foot mount bracket, zinc plated steel. For use with 50mm bore NITRA G-series cylinders.	1	0.4	
<b>GMB-63MM</b>	Foot mount bracket, zinc plated steel. For use with 63mm bore NITRA G-series cylinders.	1	0.6	
<b>GMB-80MM</b>	Foot mount bracket, zinc plated steel. For use with 80mm bore NITRA G-series cylinders.	1	1.0	
<b>GMB-100MM</b>	Foot mount bracket, zinc plated steel. For use with 100mm bore NITRA G-series cylinders.	1	1.3	
<b>GMC-32MM</b>	Rear pivot eye, zinc plated steel. For use with 32mm bore NITRA G-series cylinders.	1	0.2	
<b>GMC-40MM</b>	Rear pivot eye, zinc plated steel. For use with 40mm bore NITRA G-series cylinders.	1	0.3	
<b>GMC-50MM</b>	Rear pivot eye, zinc plated steel. For use with 50mm bore NITRA G-series cylinders.	1	0.6	
<b>GMC-63MM</b>	Rear pivot eye, zinc plated steel. For use with 63mm bore NITRA G-series cylinders.	1	0.9	
<b>GMC-80MM</b>	Rear pivot eye, zinc plated steel. For use with 80mm bore NITRA G-series cylinders.	1	1.5	
<b>GMC-100MM</b>	Rear pivot eye, zinc plated steel. For use with 100mm bore NITRA G-series cylinders.	1	2.4	
<b>GSMC-32MM</b>	Rear spherical pivot, spherical bearing, zinc plated steel. For use with 32mm bore NITRA G-series cylinders.	1	0.3	
<b>GSMC-40MM</b>	Rear spherical pivot, spherical bearing, zinc plated steel. For use with 40mm bore NITRA G-series cylinders.	1	0.4	
<b>GSMC-50MM</b>	Rear spherical pivot, spherical bearing, zinc plated steel. For use with 50mm bore NITRA G-series cylinders.	1	0.5	
<b>GSMC-63MM</b>	Rear spherical pivot, spherical bearing, zinc plated steel. For use with 63mm bore NITRA G-series cylinders.	1	0.7	
<b>GSMC-80MM</b>	Rear spherical pivot, spherical bearing, zinc plated steel. For use with 80mm bore NITRA G-series cylinders.	1	1.3	
<b>GSMC-100MM</b>	Rear spherical pivot, spherical bearing, zinc plated steel. For use with 100mm bore NITRA G-series cylinders.	1	1.9	
<b>GFL-32MM</b>	Flange mount plate, zinc plated steel. For use with 32mm bore NITRA G-series cylinders.	1	0.5	
<b>GFL-40MM</b>	Flange mount plate, zinc plated steel. For use with 40mm bore NITRA G-series cylinders.	1	0.6	
<b>GFL-50MM</b>	Flange mount plate, zinc plated steel. For use with 50mm bore NITRA G-series cylinders.	1	1.2	
<b>GFL-63MM</b>	Flange mount plate, zinc plated steel. For use with 63mm bore NITRA G-series cylinders.	1	1.5	
<b>GFL-80MM</b>	Flange mount plate, zinc plated steel. For use with 80mm bore NITRA G-series cylinders.	1	3.1	
<b>GFL-100MM</b>	Flange mount plate, zinc plated steel. For use with 100mm bore NITRA G-series cylinders.	1	4.5	
<b>GN-M10-125</b>	Rod nut, M10 X 1.25 thread, zinc plated steel. For use with NITRA G-series cylinders.	1	0.2	
<b>GN-M12-125</b>	Rod nut, M12 X 1.25 thread, zinc plated steel. For use with NITRA G-series cylinders.	1	0.2	
<b>GN-M16-15</b>	Rod nut, M16 X 1.5 thread, zinc plated steel. For use with NITRA G-series cylinders.	1	0.2	
<b>GN-M20-15</b>	Rod nut, M20 X 1.5 thread, zinc plated steel. For use with NITRA G-series cylinders.	1	0.2	

## Rod Clevis



Part no. **GRC-M10-125**

**Dimensions**  
mm [inches]



*Note: Comes with Pivot Pin installed.*

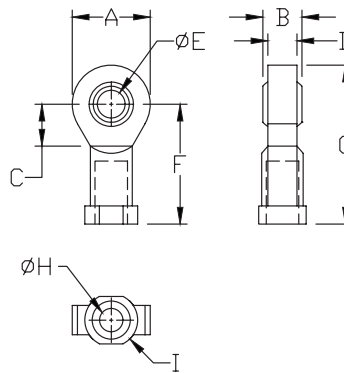
Rod Clevis Dimension Table								
Part #	A	B	C	D	E	F	G	H
<b>GRC-M10-125</b>	20.00 [0.78]	10.00 [0.39]	10.00 [0.39]	26.00 [1.02]	10.00 [0.39]	40.00 [1.57]	52.00 [2.04]	M10x1.25
<b>GRC-M12-125</b>	24.00 [0.94]	12.00 [0.47]	24.00 [0.94]	32.00 [1.25]	12.00 [0.47]	48.00 [1.88]	62.00 [2.44]	M12x1.25
<b>GRC-M16-15</b>	32.00 [1.25]	16.00 [0.62]	32.00 [1.25]	40.00 [1.57]	16.00 [0.62]	64.00 [2.51]	83.00 [3.26]	M16x1.5
<b>GRC-M20-15</b>	40.00 [1.57]	20.00 [0.78]	40.00 [1.57]	48.00 [1.88]	20.00 [0.78]	80.00 [3.14]	105.00 [4.13]	M20x1.5

## Rod Eye



Part no. **GRE-M10-125**

**Dimensions**  
mm [inches]



Rod Eye Dimension Table									
Part #	A	B	C	D	E	F	G	H	I
<b>GRE-M10-125</b>	28.00 [1.10]	14.00 [0.55]	15.00 [0.59]	10.50 [0.41]	10.00 [0.39]	43.00 [1.69]	57.00 [2.24]	M10x1.25	19 [0.74]
<b>GRE-M12-125</b>	32.00 [1.25]	16.00 [0.62]	17.00 [0.66]	12.00 [0.47]	12.00 [0.47]	50.00 [1.96]	66.00 [2.59]	M12x1.25	19 [0.74]
<b>GRE-M16-15</b>	42.00 [1.65]	21.00 [0.82]	22.00 [0.86]	15.00 [0.59]	16.00 [0.62]	64.00 [2.51]	85.00 [3.34]	M16x1.5	22 [0.86]
<b>GRE-M20-15</b>	50.00 [1.96]	25.00 [0.98]	26.00 [1.02]	18.00 [0.70]	20.00 [0.78]	77.00 [3.03]	102.00 [4.01]	M20x1.5	27 [1.06]

See our website for complete Engineering drawings.

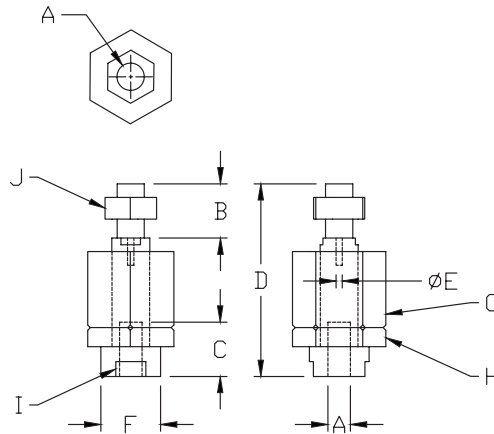
## Self Aligning Rod Coupler



Part no. GRCP-M10-125

### Dimensions

mm [inches]



Self Aligning Rod Coupler Dimension Table										
Part #	A	B	C	D	E	F	G	H	I	J
<b>GRCP-M10-125</b>	M10x1.25	20.00 [0.78]	20.00 [0.78]	71.00 [2.79]	4.00 [0.15]	22.00 [0.86]	30.00 [1.18]	30.00 [1.18]	19.00 [0.74]	17.00 [0.66]
<b>GRCP-M12-125</b>	M12x1.25	24.00 [0.94]	20.00 [0.78]	75.00 [2.95]	4.00 [0.15]	22.00 [0.86]	30.00 [1.18]	30.00 [1.18]	19.00 [0.74]	19.00 [0.74]
<b>GRCP-M16-15</b>	M16x1.5	32.00 [1.25]	32.00 [1.25]	103.00 [4.05]	4.00 [0.15]	32.00 [1.25]	41.00 [1.61]	41.00 [1.61]	30.00 [1.18]	24.00 [0.94]
<b>GRCP-M20-15</b>	M20x1.5	40.00 [1.57]	40.00 [1.57]	119.00 [4.68]	4.00 [0.15]	32.00 [1.25]	41.00 [1.61]	41.00 [1.61]	30.00 [1.18]	30.00 [1.18]

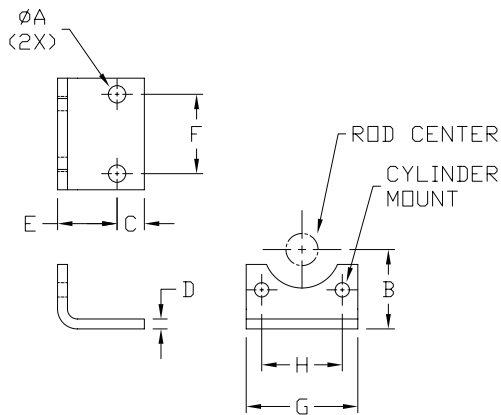
## Foot Mount Bracket



Part no. GMB-32MM

### Dimensions

mm [inches]



Note: Individually packed with 2 screws

Foot Mount Dimension Table								
Part #	A	B	C	D	E	F	G	H
<b>GMB-32MM</b>	7.00 [0.27]	32.00 [1.25]	11.00 [0.43]	4.00 [0.15]	24.00 [0.94]	32.00 [1.25]	45.00 [1.77]	32.5 [1.28]
<b>GMB-40MM</b>	9.00 [0.35]	36.00 [1.41]	15.00 [0.59]	4.00 [0.15]	28.00 [1.10]	36.00 [1.41]	52.00 [2.04]	38.0 [1.50]
<b>GMB-50MM</b>	9.00 [0.35]	45.00 [1.77]	15.00 [0.59]	4.00 [0.15]	32.00 [1.25]	45.00 [1.77]	52.00 [2.04]	46.5 [1.83]
<b>GMB-63MM</b>	9.00 [0.35]	50.00 [1.96]	15.00 [0.59]	6.00 [0.23]	32.00 [1.25]	50.00 [1.96]	75.00 [2.95]	56.5 [2.22]
<b>GMB-80MM</b>	12.00 [0.47]	63.00 [2.48]	20.00 [0.78]	6.00 [0.23]	41.00 [1.61]	63.00 [2.48]	95.00 [3.74]	63.0 [2.48]
<b>GMB-100MM</b>	14.00 [0.55]	71.00 [2.79]	25.00 [0.98]	6.00 [0.23]	41.00 [1.61]	75.00 [2.95]	115.00 [4.52]	89.0 [3.50]

See our website for complete Engineering drawings.

## Rear Pivot Eye



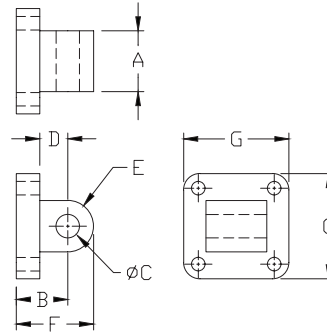
Part no. **GMC-32MM**



*Note: Supplied with 4 screws, 4 washers*

### Dimensions

mm [inches]



Male Rear Clevis Dimension Table							
Part #	A	B	C	D	E	F	G
<b>GMC-32MM</b>	26.00 [1.02]	22.00 [0.86]	10.00 [0.39]	12.00 [0.47]	11.00 [0.43]	33.00 [1.29]	45.00 [1.77]
<b>GMC-40MM</b>	28.00 [1.10]	25.00 [0.98]	12.00 [0.47]	15.00 [0.59]	13.00 [0.51]	38.00 [1.49]	52.00 [2.04]
<b>GMC-50MM</b>	32.00 [1.25]	27.00 [1.06]	12.00 [0.47]	15.00 [0.59]	13.00 [0.51]	40.00 [1.57]	65.00 [2.55]
<b>GMC-63MM</b>	40.00 [1.57]	32.00 [1.25]	16.00 [0.62]	20.00 [0.78]	17.00 [0.66]	49.00 [1.92]	75.00 [2.95]
<b>GMC-80MM</b>	50.00 [1.96]	36.00 [1.41]	16.00 [0.62]	20.00 [0.78]	17.00 [0.66]	53.00 [2.08]	95.00 [3.74]
<b>GMC-100MM</b>	60.00 [2.36]	41.00 [1.61]	20.00 [0.78]	25.00 [0.98]	21.00 [0.82]	62.00 [2.44]	115.00 [4.52]

## Spherical Rear Pivot



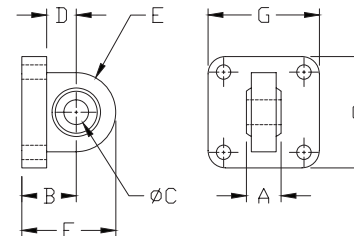
Part no. **GSMC-32MM**



*Note: Supplied with 4 screws, 4 washers*

### Dimensions

mm [inches]



Spherical Male Clevis Dimension Table							
Part #	A	B	C	D	E	F	G
<b>GSMC-32MM</b>	14.00 [0.55]	22.00 [0.86]	10.00 [0.39]	12.00 [0.47]	16.00 [0.62]	38.00 [1.49]	45.00 [1.77]
<b>GSMC-40MM</b>	16.00 [0.62]	25.00 [0.98]	12.00 [0.47]	15.00 [0.59]	19.00 [0.74]	44.00 [1.73]	52.00 [2.04]
<b>GSMC-50MM</b>	16.00 [0.62]	27.00 [1.06]	12.00 [0.47]	15.00 [0.59]	19.00 [0.74]	46.00 [1.81]	65.00 [2.55]
<b>GSMC-63MM</b>	21.00 [0.82]	32.00 [1.25]	16.00 [0.62]	20.00 [0.78]	24.00 [0.94]	56.00 [2.20]	75.00 [2.95]
<b>GSMC-80MM</b>	21.00 [0.82]	36.00 [1.41]	16.00 [0.62]	20.00 [0.78]	24.00 [0.94]	60.00 [2.36]	95.00 [3.74]
<b>GSMC-100MM</b>	25.00 [0.98]	41.00 [1.61]	20.00 [0.78]	25.00 [0.98]	30.00 [1.18]	71.00 [2.79]	115.00 [4.52]

See our website for complete Engineering drawings.

## Front or Rear Flange

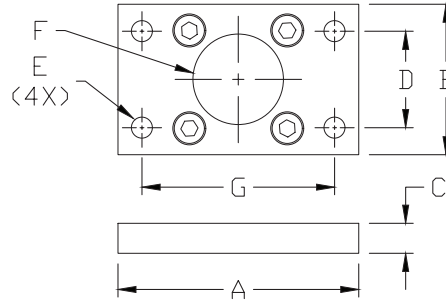


Part no. GFL-32MM



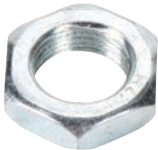
Note: Supplied with 4 screws

Dimensions  
mm [inches]



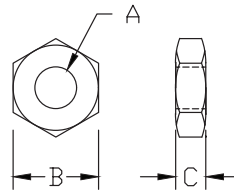
Front or Rear Flange Dimension Table							
Part #	A	B	C	D	E	F	G
<b>GFL-32MM</b>	80.00 [3.14]	50.00 [1.96]	10.00 [0.39]	32.00 [1.25]	7.00 [1.25]	32.00 [1.25]	64.00 [2.52]
<b>GFL-40MM</b>	90.00 [3.54]	55.00 [2.16]	10.00 [0.39]	36.00 [1.41]	9.00 [0.35]	40.00 [1.57]	72.00 [2.83]
<b>GFL-50MM</b>	110.00 [4.33]	65.00 [2.55]	12.00 [0.47]	45.00 [1.77]	9.00 [0.35]	50.00 [1.96]	90.00 [3.54]
<b>GFL-63MM</b>	120.00 [4.72]	75.00 [2.95]	12.00 [0.47]	50.00 [1.96]	9.00 [0.35]	63.00 [2.48]	100.00 [3.93]
<b>GFL-80MM</b>	153.00 [6.02]	95.00 [3.74]	16.00 [0.62]	63.00 [2.48]	12.00 [0.47]	80.00 [3.14]	126.00 [4.96]
<b>GFL-100MM</b>	178.00 [7.00]	115.00 [4.52]	16.00 [0.62]	75.00 [2.95]	14.00 [0.55]	100.00 [3.93]	150.00 [5.90]

## Rod Nut



Part no. GN-M20-15

Dimensions  
mm [inches]



Rod Nut Dimension Table			
Part #	A	B	C
<b>GN-M10-125</b>	M10x1.25	17.00 [0.66]	6.00 [0.23]
<b>GN-M12-125</b>	M12x1.25	19.00 [0.74]	7.00 [0.27]
<b>GN-M16-15</b>	M16x1.5	24.00 [0.94]	8.00 [0.31]
<b>GN-M20-15</b>	M20x1.5	30.00 [1.18]	9.00 [0.35]

See our website for complete Engineering drawings.

Position Switch Cross Reference Chart			
NITRA Switch Type	Cylinder Brand (may fit some of these cylinders)	Photo Example	Groove Illustration
CPS CPSF	NITRA A-Series, D-Series, F-Series		
CPS9C	DE-STA-CO Robohand SMC Compact Air		
CPS9D	Fabco Numatics Rotomation		
CPS9F	NITRA G-Series Fabco Festo Numatics Rotomation		
CPS9H	NITRA E-Series NITRA H-Series		
CPS9M	Norgren		
CPS9Q	NITRA G-Series Parker		
CPS9T	SMC		