



G-Series ISO Pneumatic Cylinders – Accessories

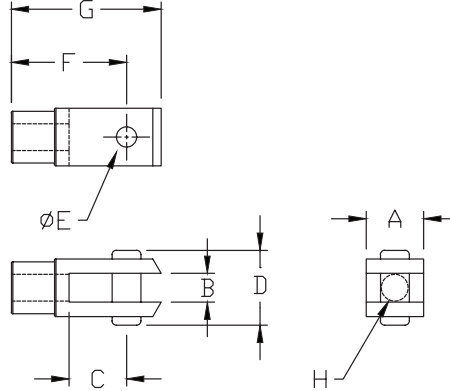
D-Series Heavy Duty Pneumatic Cylinder Accessories				
Part Number	Description	Pcs/Pkg	Wt (lb)	Price
GRC-M10-125	Rod clevis, M10 X 1.25 thread, zinc plated steel. For use with NITRA G-series cylinders.	1	0.2	
GRC-M12-125	Rod clevis, M12 X 1.25 thread, zinc plated steel. For use with NITRA G-series cylinders.	1	0.3	
GRC-M16-15	Rod clevis, M16 X 1.5 thread, zinc plated steel. For use with NITRA G-series cylinders.	1	0.8	
GRC-M20-15	Rod clevis, M20 X 1.5 thread, zinc plated steel. For use with NITRA G-series cylinders.	1	1.5	
GRE-M10-125	Rod eye, M10 X 1.25 thread, spherical bearing, zinc plated steel. For use with NITRA G-series cylinders.	1	0.2	
GRE-M12-125	Rod eye, M12 X 1.25 thread, spherical bearing, zinc plated steel. For use with NITRA G-series cylinders.	1	0.3	
GRE-M16-15	Rod eye, M16 X 1.5 thread, spherical bearing, zinc plated steel. For use with NITRA G-series cylinders.	1	0.5	
GRE-M20-15	Rod eye, M20 X 1.5 thread, spherical bearing, zinc plated steel. For use with NITRA G-series cylinders.	1	0.9	
GRCP-M10-125	Self-aligning rod coupler, M10 X 1.25 thread, zinc plated steel. For use with NITRA G-series cylinders.	1	0.5	
GRCP-M12-125	Self-aligning rod coupler, M12 X 1.25 thread, zinc plated steel. For use with NITRA G-series cylinders.	1	0.7	
GRCP-M16-15	Self-aligning rod coupler, M16 X 1.5 thread, zinc plated steel. For use with NITRA G-series cylinders.	1	1.4	
GRCP-M20-15	Self-aligning rod coupler, M20 X 1.5 thread, zinc plated steel. For use with NITRA G-series cylinders.	1	1.5	
GMB-32MM	Foot mount bracket, zinc plated steel. For use with 32mm bore NITRA G-series cylinders.	1	0.2	
GMB-40MM	Foot mount bracket, zinc plated steel. For use with 40mm bore NITRA G-series cylinders.	1	0.3	
GMB-50MM	Foot mount bracket, zinc plated steel. For use with 50mm bore NITRA G-series cylinders.	1	0.4	
GMB-63MM	Foot mount bracket, zinc plated steel. For use with 63mm bore NITRA G-series cylinders.	1	0.6	
GMB-80MM	Foot mount bracket, zinc plated steel. For use with 80mm bore NITRA G-series cylinders.	1	1.0	
GMB-100MM	Foot mount bracket, zinc plated steel. For use with 100mm bore NITRA G-series cylinders.	1	1.3	
GMC-32MM	Rear pivot eye, zinc plated steel. For use with 32mm bore NITRA G-series cylinders.	1	0.2	
GMC-40MM	Rear pivot eye, zinc plated steel. For use with 40mm bore NITRA G-series cylinders.	1	0.3	
GMC-50MM	Rear pivot eye, zinc plated steel. For use with 50mm bore NITRA G-series cylinders.	1	0.6	
GMC-63MM	Rear pivot eye, zinc plated steel. For use with 63mm bore NITRA G-series cylinders.	1	0.9	
GMC-80MM	Rear pivot eye, zinc plated steel. For use with 80mm bore NITRA G-series cylinders.	1	1.5	
GMC-100MM	Rear pivot eye, zinc plated steel. For use with 100mm bore NITRA G-series cylinders.	1	2.4	
GSMC-32MM	Rear spherical pivot, spherical bearing, zinc plated steel. For use with 32mm bore NITRA G-series cylinders.	1	0.3	
GSMC-40MM	Rear spherical pivot, spherical bearing, zinc plated steel. For use with 40mm bore NITRA G-series cylinders.	1	0.4	
GSMC-50MM	Rear spherical pivot, spherical bearing, zinc plated steel. For use with 50mm bore NITRA G-series cylinders.	1	0.5	
GSMC-63MM	Rear spherical pivot, spherical bearing, zinc plated steel. For use with 63mm bore NITRA G-series cylinders.	1	0.7	
GSMC-80MM	Rear spherical pivot, spherical bearing, zinc plated steel. For use with 80mm bore NITRA G-series cylinders.	1	1.3	
GSMC-100MM	Rear spherical pivot, spherical bearing, zinc plated steel. For use with 100mm bore NITRA G-series cylinders.	1	1.9	
GFL-32MM	Flange mount plate, zinc plated steel. For use with 32mm bore NITRA G-series cylinders.	1	0.5	
GFL-40MM	Flange mount plate, zinc plated steel. For use with 40mm bore NITRA G-series cylinders.	1	0.6	
GFL-50MM	Flange mount plate, zinc plated steel. For use with 50mm bore NITRA G-series cylinders.	1	1.2	
GFL-63MM	Flange mount plate, zinc plated steel. For use with 63mm bore NITRA G-series cylinders.	1	1.5	
GFL-80MM	Flange mount plate, zinc plated steel. For use with 80mm bore NITRA G-series cylinders.	1	3.1	
GFL-100MM	Flange mount plate, zinc plated steel. For use with 100mm bore NITRA G-series cylinders.	1	4.5	
GN-M10-125	Rod nut, M10 X 1.25 thread, zinc plated steel. For use with NITRA G-series cylinders.	1	0.2	
GN-M12-125	Rod nut, M12 X 1.25 thread, zinc plated steel. For use with NITRA G-series cylinders.	1	0.2	
GN-M16-15	Rod nut, M16 X 1.5 thread, zinc plated steel. For use with NITRA G-series cylinders.	1	0.2	
GN-M20-15	Rod nut, M20 X 1.5 thread, zinc plated steel. For use with NITRA G-series cylinders.	1	0.2	

Rod Clevis



Part no. **GRC-M10-125**

Dimensions
mm [inches]



Note: Comes with Pivot Pin installed.

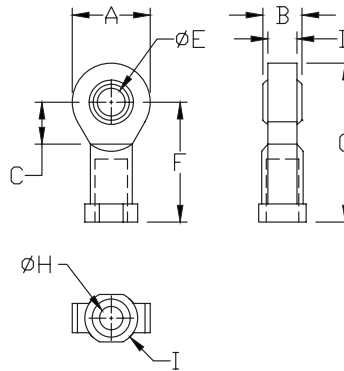
Rod Clevis Dimension Table								
Part #	A	B	C	D	E	F	G	H
GRC-M10-125	20.00 [0.78]	10.00 [0.39]	10.00 [0.39]	26.00 [1.02]	10.00 [0.39]	40.00 [1.57]	52.00 [2.04]	M10x1.25
GRC-M12-125	24.00 [0.94]	12.00 [0.47]	24.00 [0.94]	32.00 [1.25]	12.00 [0.47]	48.00 [1.88]	62.00 [2.44]	M12x1.25
GRC-M16-15	32.00 [1.25]	16.00 [0.62]	32.00 [1.25]	40.00 [1.57]	16.00 [0.62]	64.00 [2.51]	83.00 [3.26]	M16x1.5
GRC-M20-15	40.00 [1.57]	20.00 [0.78]	40.00 [1.57]	48.00 [1.88]	20.00 [0.78]	80.00 [3.14]	105.00 [4.13]	M20x1.5

Rod Eye



Part no. **GRE-M10-125**

Dimensions
mm [inches]



Rod Eye Dimension Table									
Part #	A	B	C	D	E	F	G	H	I
GRE-M10-125	28.00 [1.10]	14.00 [0.55]	15.00 [0.59]	10.50 [0.41]	10.00 [0.39]	43.00 [1.69]	57.00 [2.24]	M10x1.25	19 [0.74]
GRE-M12-125	32.00 [1.25]	16.00 [0.62]	17.00 [0.66]	12.00 [0.47]	12.00 [0.47]	50.00 [1.96]	66.00 [2.59]	M12x1.25	19 [0.74]
GRE-M16-15	42.00 [1.65]	21.00 [0.82]	22.00 [0.86]	15.00 [0.59]	16.00 [0.62]	64.00 [2.51]	85.00 [3.34]	M16x1.5	22 [0.86]
GRE-M20-15	50.00 [1.96]	25.00 [0.98]	26.00 [1.02]	18.00 [0.70]	20.00 [0.78]	77.00 [3.03]	102.00 [4.01]	M20x1.5	27 [1.06]

See our website for complete Engineering drawings.

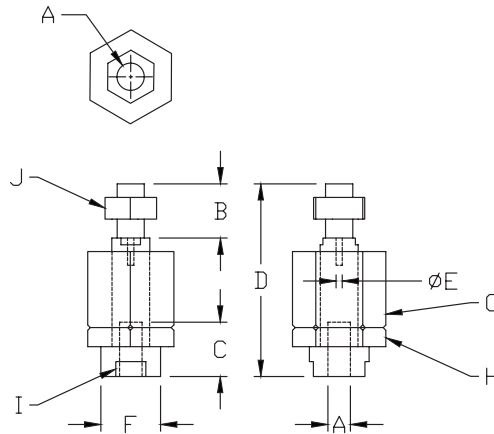
Self Aligning Rod Coupler



Part no. GRCP-M10-125

Dimensions

mm [inches]



Self Aligning Rod Coupler Dimension Table										
Part #	A	B	C	D	E	F	G	H	I	J
GRCP-M10-125	M10x1.25	20.00 [0.78]	20.00 [0.78]	71.00 [2.79]	4.00 [0.15]	22.00 [0.86]	30.00 [1.18]	30.00 [1.18]	19.00 [0.74]	17.00 [0.66]
GRCP-M12-125	M12x1.25	24.00 [0.94]	20.00 [0.78]	75.00 [2.95]	4.00 [0.15]	22.00 [0.86]	30.00 [1.18]	30.00 [1.18]	19.00 [0.74]	19.00 [0.74]
GRCP-M16-15	M16x1.5	32.00 [1.25]	32.00 [1.25]	103.00 [4.05]	4.00 [0.15]	32.00 [1.25]	41.00 [1.61]	41.00 [1.61]	30.00 [1.18]	24.00 [0.94]
GRCP-M20-15	M20x1.5	40.00 [1.57]	40.00 [1.57]	119.00 [4.68]	4.00 [0.15]	32.00 [1.25]	41.00 [1.61]	41.00 [1.61]	30.00 [1.18]	30.00 [1.18]

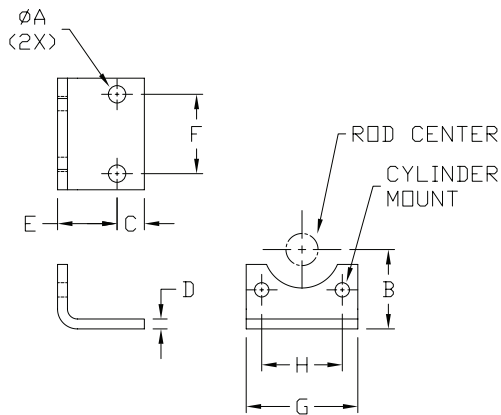
Foot Mount Bracket



Part no. GMB-32MM

Dimensions

mm [inches]



Note: Individually packed with 2 screws

Foot Mount Dimension Table								
Part #	A	B	C	D	E	F	G	H
GMB-32MM	7.00 [0.27]	32.00 [1.25]	11.00 [0.43]	4.00 [0.15]	24.00 [0.94]	32.00 [1.25]	45.00 [1.77]	32.5 [1.28]
GMB-40MM	9.00 [0.35]	36.00 [1.41]	15.00 [0.59]	4.00 [0.15]	28.00 [1.10]	36.00 [1.41]	52.00 [2.04]	38.0 [1.50]
GMB-50MM	9.00 [0.35]	45.00 [1.77]	15.00 [0.59]	4.00 [0.15]	32.00 [1.25]	45.00 [1.77]	52.00 [2.04]	46.5 [1.83]
GMB-63MM	9.00 [0.35]	50.00 [1.96]	15.00 [0.59]	6.00 [0.23]	32.00 [1.25]	50.00 [1.96]	75.00 [2.95]	56.5 [2.22]
GMB-80MM	12.00 [0.47]	63.00 [2.48]	20.00 [0.78]	6.00 [0.23]	41.00 [1.61]	63.00 [2.48]	95.00 [3.74]	63.0 [2.48]
GMB-100MM	14.00 [0.55]	71.00 [2.79]	25.00 [0.98]	6.00 [0.23]	41.00 [1.61]	75.00 [2.95]	115.00 [4.52]	89.0 [3.50]

See our website for complete Engineering drawings.

Rear Pivot Eye



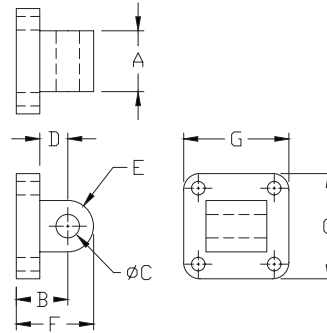
Part no. **GMC-32MM**



Note: Supplied with 4 screws, 4 washers

Dimensions

mm [inches]



Male Rear Clevis Dimension Table							
Part #	A	B	C	D	E	F	G
GMC-32MM	26.00 [1.02]	22.00 [0.86]	10.00 [0.39]	12.00 [0.47]	11.00 [0.43]	33.00 [1.29]	45.00 [1.77]
GMC-40MM	28.00 [1.10]	25.00 [0.98]	12.00 [0.47]	15.00 [0.59]	13.00 [0.51]	38.00 [1.49]	52.00 [2.04]
GMC-50MM	32.00 [1.25]	27.00 [1.06]	12.00 [0.47]	15.00 [0.59]	13.00 [0.51]	40.00 [1.57]	65.00 [2.55]
GMC-63MM	40.00 [1.57]	32.00 [1.25]	16.00 [0.62]	20.00 [0.78]	17.00 [0.66]	49.00 [1.92]	75.00 [2.95]
GMC-80MM	50.00 [1.96]	36.00 [1.41]	16.00 [0.62]	20.00 [0.78]	17.00 [0.66]	53.00 [2.08]	95.00 [3.74]
GMC-100MM	60.00 [2.36]	41.00 [1.61]	20.00 [0.78]	25.00 [0.98]	21.00 [0.82]	62.00 [2.44]	115.00 [4.52]

Spherical Rear Pivot



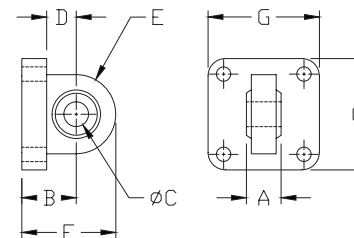
Part no. **GSMC-32MM**



Note: Supplied with 4 screws, 4 washers

Dimensions

mm [inches]



Spherical Male Clevis Dimension Table							
Part #	A	B	C	D	E	F	G
GSMC-32MM	14.00 [0.55]	22.00 [0.86]	10.00 [0.39]	12.00 [0.47]	16.00 [0.62]	38.00 [1.49]	45.00 [1.77]
GSMC-40MM	16.00 [0.62]	25.00 [0.98]	12.00 [0.47]	15.00 [0.59]	19.00 [0.74]	44.00 [1.73]	52.00 [2.04]
GSMC-50MM	16.00 [0.62]	27.00 [1.06]	12.00 [0.47]	15.00 [0.59]	19.00 [0.74]	46.00 [1.81]	65.00 [2.55]
GSMC-63MM	21.00 [0.82]	32.00 [1.25]	16.00 [0.62]	20.00 [0.78]	24.00 [0.94]	56.00 [2.20]	75.00 [2.95]
GSMC-80MM	21.00 [0.82]	36.00 [1.41]	16.00 [0.62]	20.00 [0.78]	24.00 [0.94]	60.00 [2.36]	95.00 [3.74]
GSMC-100MM	25.00 [0.98]	41.00 [1.61]	20.00 [0.78]	25.00 [0.98]	30.00 [1.18]	71.00 [2.79]	115.00 [4.52]

See our website for complete Engineering drawings.

Front or Rear Flange

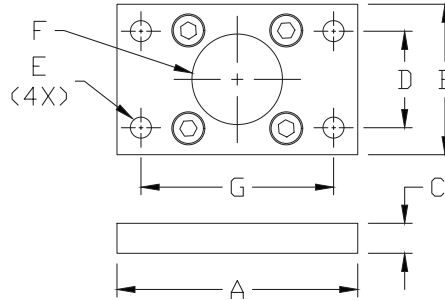


Part no. GFL-32MM



Note: Supplied with 4 screws

Dimensions
mm [inches]



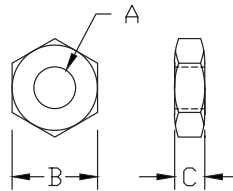
Front or Rear Flange Dimension Table							
Part #	A	B	C	D	E	F	G
GFL-32MM	80.00 [3.14]	50.00 [1.96]	10.00 [0.39]	32.00 [1.25]	7.00 [1.25]	32.00 [1.25]	64.00 [2.52]
GFL-40MM	90.00 [3.54]	55.00 [2.16]	10.00 [0.39]	36.00 [1.41]	9.00 [0.35]	40.00 [1.57]	72.00 [2.83]
GFL-50MM	110.00 [4.33]	65.00 [2.55]	12.00 [0.47]	45.00 [1.77]	9.00 [0.35]	50.00 [1.96]	90.00 [3.54]
GFL-63MM	120.00 [4.72]	75.00 [2.95]	12.00 [0.47]	50.00 [1.96]	9.00 [0.35]	63.00 [2.48]	100.00 [3.93]
GFL-80MM	153.00 [6.02]	95.00 [3.74]	16.00 [0.62]	63.00 [2.48]	12.00 [0.47]	80.00 [3.14]	126.00 [4.96]
GFL-100MM	178.00 [7.00]	115.00 [4.52]	16.00 [0.62]	75.00 [2.95]	14.00 [0.55]	100.00 [3.93]	150.00 [5.90]

Rod Nut



Part no. GN-M20-15

Dimensions
mm [inches]



Rod Nut Dimension Table			
Part #	A	B	C
GN-M10-125	M10x1.25	17.00 [0.66]	6.00 [0.23]
GN-M12-125	M12x1.25	19.00 [0.74]	7.00 [0.27]
GN-M16-15	M16x1.5	24.00 [0.94]	8.00 [0.31]
GN-M20-15	M20x1.5	30.00 [1.18]	9.00 [0.35]

See our website for complete Engineering drawings.