

63mm Bore, Double Acting with Magnet



Part No. H63M005MD-M

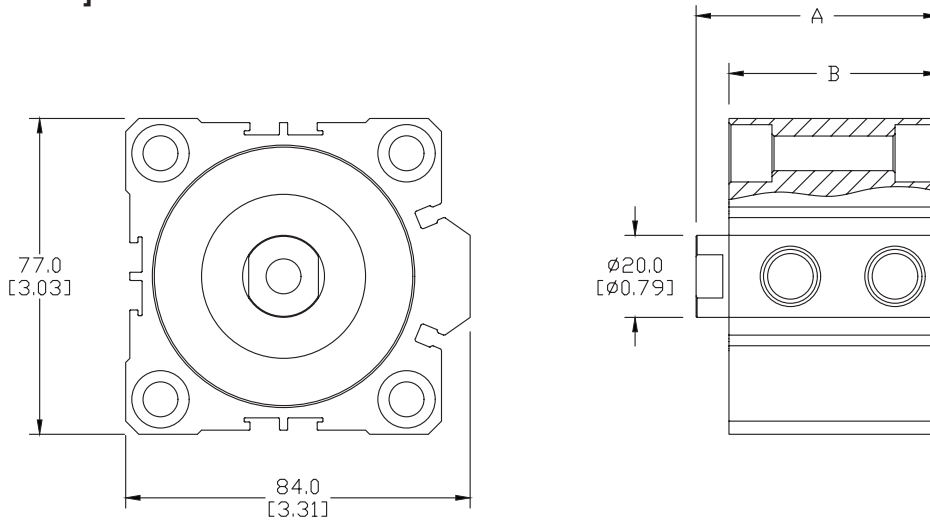
63mm Bore H-Series Cylinders - Double Acting w/ Magnet						
Part Number	Stroke Length (mm)	"A" (mm [in])	"B" (mm [in])	Port Size	Weight (lbs)	Price
H63M005MD-M	5	59.0 [2.32]	51.0 [2.01]	1/4-NPT	1.5	
H63M010MD-M	10	64.0 [2.52]	56.0 [2.20]		1.6	
H63M015MD-M	15	69.0 [2.72]	61.0 [2.40]		1.7	
H63M020MD-M	20	74.0 [2.91]	66.0 [2.60]		1.8	
H63M025MD-M	25	79.0 [3.11]	71.0 [2.80]		1.9	
H63M030MD-M	30	84.0 [3.31]	76.0 [2.99]		2.0	
H63M040MD-M	40	94.0 [3.70]	86.0 [3.39]		2.2	
H63M050MD-M	50	104.0 [4.09]	96.0 [3.78]		2.4	
H63M075MD-M	75	129.0 [5.08]	121.0 [4.76]		3.0	
H63M100MD-M	100	154.0 [6.06]	146.0 [5.75]		3.5	

Mounting Accessories	
Rod Clevis	HRC-63M
Rod Male Adapter	HMA-63M
Female Rear Clevis	HFC-63M

Note: For full details see Accessories at the end of the section.

Dimensions

mm [inches]

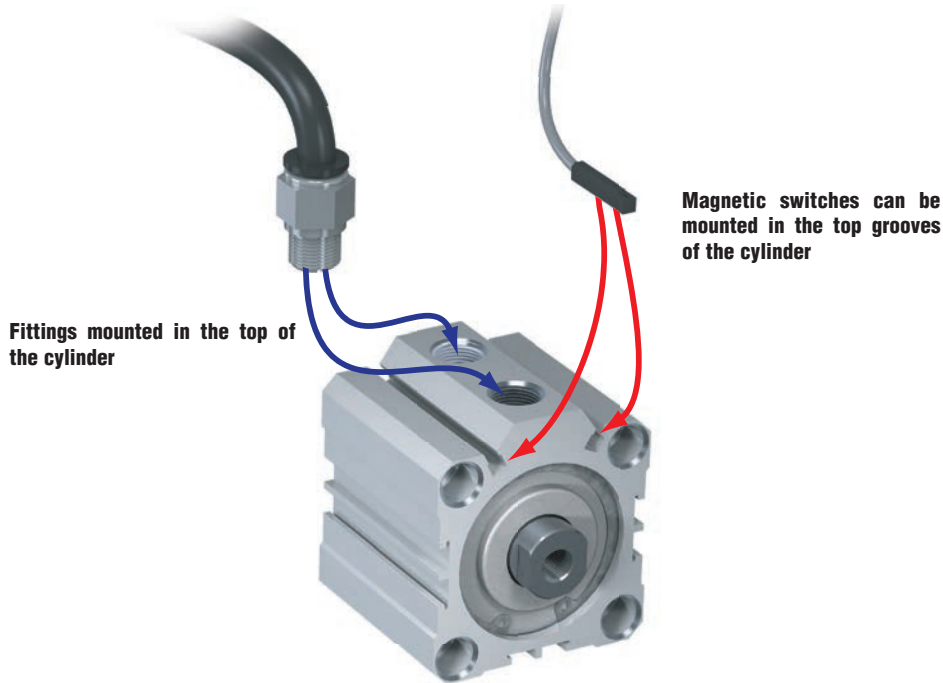


See our website for complete Engineering drawings.



H-Series Pneumatic Cylinders

NITRA Pneumatic Compact Extruded Body Air Cylinders



The NITRA Pneumatics H-Series compact extruded body cylinders includes bore sizes from 12mm to 100mm and stroke lengths from 5mm to 100mm to meet a broad range of limited space applications. These high quality cylinders are constructed with hard anodized extruded aluminum bodies and end caps. Cylinder switch mounting slots are built in to the bodies. All sizes include a magnet in the piston and a chrome plated steel piston rod. Interchangeable with other common brands, these cylinders are factory lubricated for optimum performance and long, reliable life.

Features

- Ten bore sizes
- Eight stroke lengths
- Interchangeable with other popular brands
- Work with 4mm square T-slot cylinder switches
- Nitrile / Buna-N O-rings



H-Series Cylinder Specifications										
Bore Size (mm)	12	16	20	25	32	40	50	63	80	100
Action	Double acting									
Fluid	Air (clean/dry)									
Temperature Range	-4 to 176°F (-20 to 80°C)									
Pressure Range	14 to 145 psi (0.96 to 9.9 bar)									
Proof Pressure	215psi (14.8 bar)									
Lubrication	Not required									
Cushion Type	Bumper - Polyurethane (ø12 - ø25); Buna-N (ø32 - ø100)									
Speed Range	30 to 500 mm/s									
Stroke Tolerance	+1.0 / -0 mm									
Port Size	M5x0.8				1/8-NPT		1/4-NPT		3/8-NPT	
Extend Force @ 87psi (lbs.)	15	27	42	66	108	169	264	420	678	1059
Retract Force @ 87psi (lbs.)	11	20	32	51	81	142	222	378	611	950
Sensor Switch Compatibility	CPS9H Series Switches									



H-Series Pneumatic Cylinder Accessories

H-Series Pneumatic Cylinder Accessories				
Part Number	Description	Pcs/Pkg	Wt (lb)	Price
HRC-12M	NITRA cylinder rod clevis, plated steel, M5 x 0.8 thread. For use with 12 mm H-series cylinders. Male adapter and hex nut included.	1	0.1	
HRC-16M	NITRA cylinder rod clevis, plated steel, M6 x 1.0 thread. For use with 16 mm H-series cylinders. Male adapter and hex nut included.	1	0.1	
HRC-20M	NITRA cylinder rod clevis, plated steel, M8 x 1.25 thread. For use with 20 mm H-series cylinders. Male adapter and hex nut included.	1	0.1	
HRC-25M	NITRA cylinder rod clevis, plated steel, M10 X 1.25 thread. For use with 25 mm H-series cylinders. Male adapter and hex nut included.	1	0.2	
HRC-32M	NITRA cylinder rod clevis, cast iron, M14 x 1.5 thread. For use with 32 mm H-series cylinders. Male adapter and hex nut included.	1	0.3	
HRC-40M	NITRA cylinder rod clevis, cast iron, M14 x 1.5 thread. For use with 40 mm H-series cylinders. Male adapter and hex nut included.	1	0.3	
HRC-50M	NITRA cylinder rod clevis, cast iron, M18 x 1.5 thread. For use with 50 mm H-series cylinders. Male adapter and hex nut included.	1	0.6	
HRC-63M	NITRA cylinder rod clevis, cast iron, M18 x 1.5 thread. For use with 63 mm H-series cylinders. Male adapter and hex nut included.	1	0.6	
HRC-80M	NITRA cylinder rod clevis, cast iron, M22 X 1.5 thread. For use with 80 mm H-series cylinders. Male adapter and hex nut included.	1	1.5	
HRC-100M	NITRA cylinder rod clevis, cast iron, M26 x 1.5 thread. For use with 100 mm H-series cylinders. Male adapter and hex nut included.	1	2.0	
HMA-12M	NITRA cylinder male adapter, stainless steel, M5 x 0.8 thread. For use with 12 mm H-series cylinders. Hex nut included.	1	0.1	
HMA-16M	NITRA cylinder male adapter, stainless steel, M6 x 1.0 thread. For use with 16 mm H-series cylinders. Hex nut included.	1	0.1	
HMA-20M	NITRA cylinder male adapter, stainless steel, M8 x 1.25 thread. For use with 20 mm H-series cylinders. Hex nut included.	1	0.1	
HMA-25M	NITRA cylinder male adapter, stainless steel, M10 X 1.25 thread. For use with 25 mm H-series cylinders. Hex nut included.	1	0.1	
HMA-32M	NITRA cylinder male adapter, stainless steel, M14 x 1.5 thread. For use with 32 mm H-series cylinders. Hex nut included.	1	0.1	
HMA-40M	NITRA cylinder male adapter, stainless steel, M14 x 1.5 thread. For use with 40 mm H-series cylinders. Hex nut included.	1	0.1	
HMA-50M	NITRA cylinder male adapter, stainless steel, M18 x 1.5 thread. For use with 50 mm H-series cylinders. Hex nut included.	1	0.2	
HMA-63M	NITRA cylinder male adapter, stainless steel, M18 x 1.5 thread. For use with 63 mm H-series cylinders. Hex nut included.	1	0.2	
HMA-80M	NITRA cylinder male adapter, stainless steel, M22 x 1.5 thread. For use with 80 mm H-series cylinders. Hex nut included.	1	0.4	
HMA-100M	NITRA cylinder male adapter, stainless steel, M26 x 1.5 thread. For use with 100 mm H-series cylinders. Hex nut included.	1	0.5	
HFC-12M	NITRA cylinder rear clevis bracket, aluminum. For use with 12 mm H-series cylinders. Mounting hardware and pivot pin included.	1	0.1	
HFC-16M	NITRA cylinder rear clevis bracket, aluminum. For use with 16 mm H-series cylinders. Mounting hardware and pivot pin included.	1	0.1	
HFC-20M	NITRA cylinder rear clevis bracket, aluminum. For use with 20 mm H-series cylinders. Mounting hardware and pivot pin included.	1	0.2	
HFC-25M	NITRA cylinder rear clevis bracket, aluminum. For use with 25 mm H-series cylinders. Mounting hardware and pivot pin included.	1	0.2	
HFC-32M	NITRA cylinder rear clevis bracket, cast iron. For use with 32 mm H-series cylinders. Mounting hardware and pivot pin included.	1	0.4	
HFC-40M	NITRA cylinder rear clevis bracket, cast iron. For use with 40 mm H-series cylinders. Mounting hardware and pivot pin included.	1	0.4	
HFC-50M	NITRA cylinder rear clevis bracket, cast iron. For use with 50 mm H-series cylinders. Mounting hardware and pivot pin included.	1	0.8	
HFC-63M	NITRA cylinder rear clevis bracket, cast iron. For use with 63 mm H-series cylinders. Mounting hardware and pivot pin included.	1	1.3	
HFC-80M	NITRA cylinder rear clevis bracket, cast iron. For use with 80 mm H-series cylinders. Mounting hardware and pivot pin included.	1	2.3	
HFC-100M	NITRA cylinder rear clevis bracket, cast iron. For use with 100 mm H-series cylinders. Mounting hardware and pivot pin included.	1	3.8	

H-Series Pneumatic Cylinder Accessories

Rod Clevis



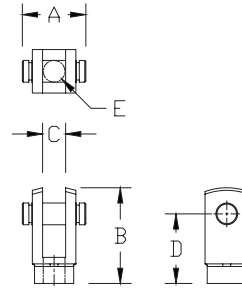
Part no. HRC-20M



Part no. HRC-32M

Dimensions

mm [inches]

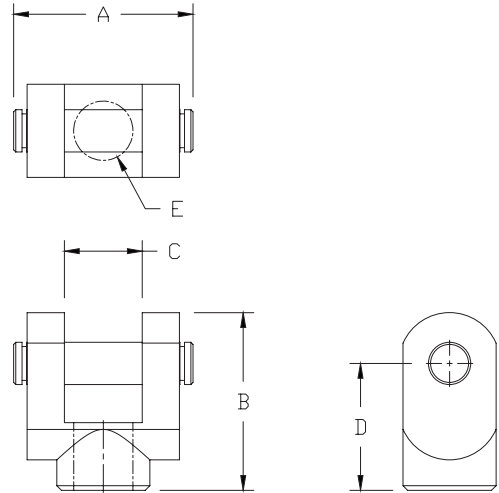


HRC-12M - HRC-25M



Note: Comes with Pivot Pin installed.
Includes Rod Male Adapter (see below)

Rod Clevis Dimension Table					
Part #	A	B	C	D	E
HRC-12M	14.6 [0.57]	22.0 [0.87]	5.3 [0.21]	16.0 [0.63]	M5x0.8
HRC-16M	16.8 [0.66]	28.0 [1.10]	6.6 [0.26]	21.0 [0.83]	M6x1.0
HRC-20M	21.0 [0.83]	34.0 [1.34]	8.3 [0.33]	25.0 [0.98]	M8x1.25
HRC-25M	26.4 [1.04]	41.0 [1.61]	10.3 [0.41]	30.0 [1.18]	M10x1.5
HRC-32M	42.4 [1.67]	42.0 [1.65]	18.4 [0.72]	30.0 [1.18]	M14x1.5
HRC-40M	42.4 [1.67]	42.0 [1.65]	18.4 [0.72]	30.0 [1.18]	M14x1.5
HRC-50M	50.4 [1.98]	56.0 [2.20]	22.4 [0.88]	40.0 [1.57]	M18x1.5
HRC-63M	50.4 [1.98]	56.0 [2.20]	22.4 [0.88]	40.0 [1.57]	M18x1.5
HRC-80M	63.6 [2.50]	71.0 [2.80]	28.4 [1.12]	50.0 [1.97]	M22x1.5
HRC-100M	72.6 [2.86]	79.0 [3.11]	32.4 [1.28]	55.0 [2.17]	M26x1.5



HRC-32M - HRC-100M

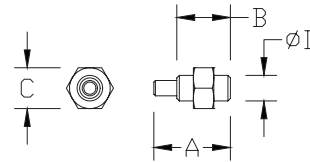
Rod Male Adapter



Part no. HMA-32M

Dimensions

mm [inches]



HMA-12M - HMA-100M

Rod Male Adapter Dimension Table				
Part #	A	B	C	D
HMA-12M	15.0 [0.59]	10.5 [0.41]	8.0 [0.31]	M5x0.8
HMA-16M	18.0 [0.71]	12.0 [0.47]	10.0 [0.39]	M6x1.0
HMA-20M	19.5 [0.77]	14.0 [0.55]	12.0 [0.47]	M8x1.25
HMA-25M	26.5 [1.04]	17.5 [0.69]	17.0 [0.67]	M10x1.25
HMA-32M	31.5 [1.24]	21.5 [0.85]	19.0 [0.75]	M14x1.5
HMA-40M	31.5 [1.24]	21.5 [0.85]	19.0 [0.75]	M14x1.5
HMA-50M	36.5 [1.44]	25.5 [1.00]	27.0 [1.06]	M18x1.5
HMA-63M	36.5 [1.44]	25.5 [1.00]	27.0 [1.06]	M18x1.5
HMA-80M	49.5 [1.95]	33.5 [1.32]	32.0 [1.26]	M22x1.5
HMA-100M	51.5 [2.03]	31.5 [1.24]	36.0 [1.42]	M26x1.5

See our website for complete Engineering drawings.



H-Series Pneumatic Cylinder Accessories

Female Rear Clevis



Part no. HFC-20M



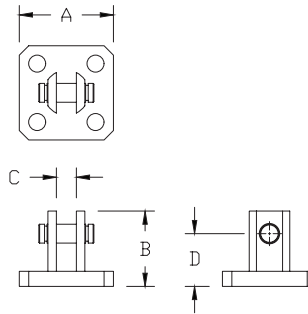
Part no. HFC-32M



*Note: Comes with Pivot Pin installed.
Mounting Hardware Included.*

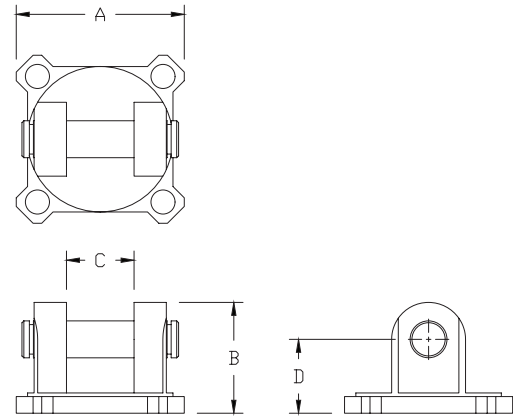
Dimensions

mm [inches]



HFC-12M - HFC-25M

Female Rear Clevis Dimension Table				
Part #	A	B	C	D
HFC-12M	25.0 [0.98]	20.0 [0.79]	5.3 [0.21]	14.0 [0.55]
HFC-16M	29.0 [1.14]	21.0 [0.83]	6.8 [0.27]	15.0 [0.59]
HFC-20M	36.0 [1.42]	27.0 [1.06]	8.3 [0.33]	18.0 [0.71]
HFC-25M	40.0 [1.57]	30.0 [1.18]	10.3 [0.41]	20.0 [0.79]
HFC-32M	45.5 [1.79]	30.0 [1.18]	18.3 [0.72]	20.0 [0.79]
HFC-40M	53.5 [2.11]	32.0 [1.26]	18.3 [0.72]	22.0 [0.87]
HFC-50M	64.5 [2.54]	42.0 [1.65]	22.3 [0.88]	28.0 [1.10]
HFC-63M	77.5 [3.05]	44.0 [1.73]	22.3 [0.88]	30.0 [1.18]
HFC-80M	98.5 [3.88]	56.0 [2.20]	28.3 [1.11]	38.0 [1.50]
HFC-100M	117.5 [4.63]	67.0 [2.64]	32.3 [1.27]	45.0 [1.77]



HFC-32M - HFC-100M

See our website [for complete Engineering drawings.](#)

Position Switch Cross Reference Chart			
NITRA Switch Type	Cylinder Brand (may fit some of these cylinders)	Photo Example	Groove Illustration
CPS CPSF	NITRA A-Series, D-Series, F-Series		
CPS9C	DE-STA-CO Robohand SMC Compact Air		
CPS9D	Fabco Numatics Rotomation		
CPS9F	NITRA G-Series Fabco Festo Numatics Rotomation		
CPS9H	NITRA E-Series NITRA H-Series		
CPS9M	Norgren		
CPS9Q	NITRA G-Series Parker		
CPS9T	SMC		