

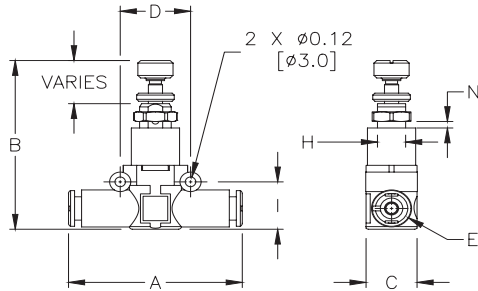


Inline Pressure Regulators and Gauges

NITRA pneumatic push-to-connect miniature pressure regulators have a technopolymer body and nickel-plated brass internal parts. Downstream air pressure can be easily adjusted to a range of 15 to 120 psi with a built-in relief valve to exhaust over-pressure. These regulators can be installed in series or parallel with other special inline fittings.

Features

- Works with flexible pneumatic tubing
- Easily added to existing circuits
- Ideal for use in secondary branches of a pneumatic system
- Use with PGU series pressure gauges for precise control
- Two-year warranty



NITRA® Inline Pressure Regulators														
Inch Sizes - dimensions in inches (in.)														
Part No.	Price	Tube Size	ø	A	B	C	D	E	H	I	N	Inlet Pressure Range (psi)	Flow Rate (scfm)*	Package Weight (lbs)
PRU14		1/4 in. x 1/4 in.	1/4	1.85	1.81-2.05	0.58	0.79	0.45	M9x0.75	0.57	0.18	29-145	5.3	0.1
PRU516		5/16 in. [8mm] x 5/16 in. [8mm]	5/16	2.18	2.05-2.28	0.74	0.94	0.54	M11x1	0.74	0.15	29-145	9.2	0.1

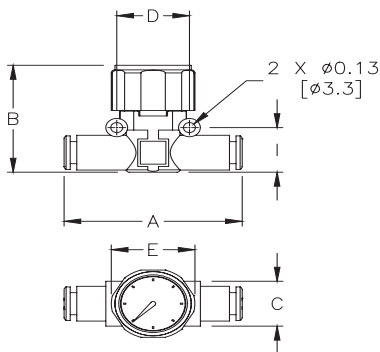
*Flow conditions: 90psi inlet pressure, 14.5 psi ΔP

See our website for complete Engineering drawings.

NITRA pneumatic push-to-connect in-line pressure gauges have a technopolymer body and metal gauge casing. They install easily anywhere in a pneumatic circuit and have a range of 0 to 170 psi.

Features

- Works with flexible pneumatic tubing
- Easily added to existing circuits



NITRA® Inline Pressure Gauges											
Inch Sizes - dimensions in inches (in.)											
Part No.	Price	Tube Size	ø	A	B	C	D	E	I	Max Pressure (psi)	Package Weight (lbs)
PGU14		1/4 in. x 1/4 in.	1/4	1.85	1.38	0.58	0.79	0.45	0.57	174	0.1
PGU516		5/16 in. [8mm] x 5/16 in. [8mm]	5/16	2.18	1.61	0.74	0.94	0.54	0.74	174	0.1

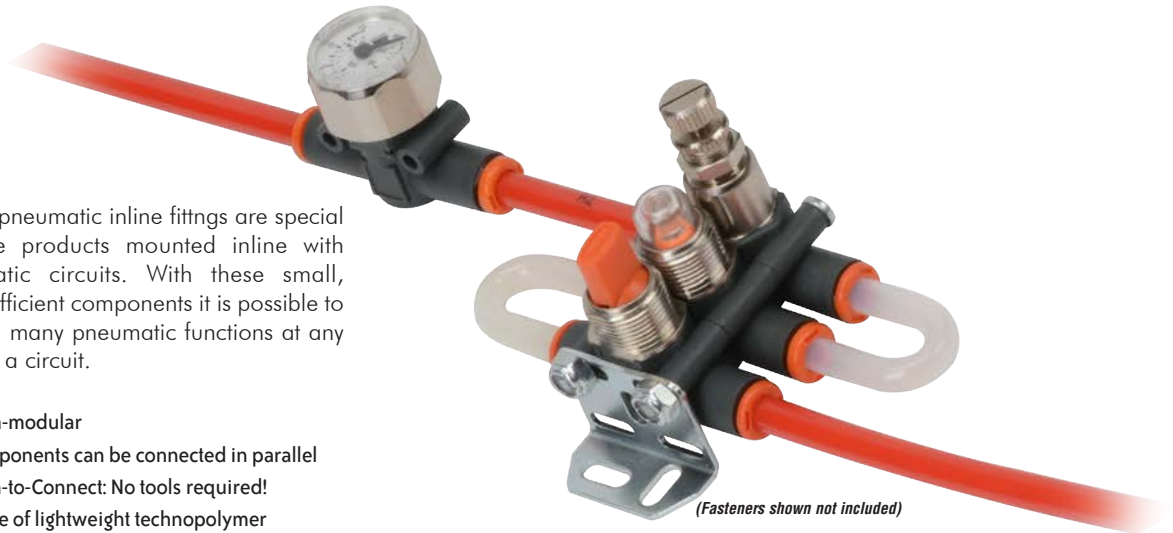
See our website for complete Engineering drawings.



Special Purpose Push-to-Connect Pneumatic Fittings

NITRA pneumatic inline fittings are special purpose products mounted inline with pneumatic circuits. With these small, highly efficient components it is possible to perform many pneumatic functions at any point in a circuit.

- Ultra-modular
- Components can be connected in parallel
- Push-to-Connect: No tools required!
- Made of lightweight technopolymer
- Stem adapters connect push-to-connect fittings to NPT ports



INLINE PRESSURE REGULATORS
from



INLINE PRESSURE GAUGES
FR0m



INLINE PRESSURE INDICATORS
FR0m



INLINE MANUAL SHUTOFF VALVES
from



INLINE QUICK EXHAUST VALVES
FR0m



STEM ADAPTERS
FR0m