

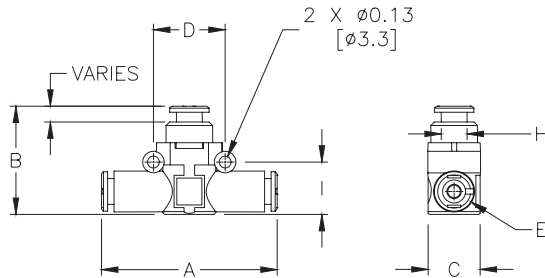


# Inline Pressure Indicators and Quick Exhaust Valves

NITRA pneumatic push-to-connect inline pressure indicators have a technopolymer body and nickel-plated brass internal parts, with a range of 29 to 145 psi. When pressure is off, the indicator is clear. When pressure is on, a colored indicator appears.

## Features

- Works with flexible pneumatic tubing
- Easily added to existing circuits
- Green or orange indicator buttons
- Two-year warranty



Pressure Indicator

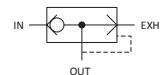
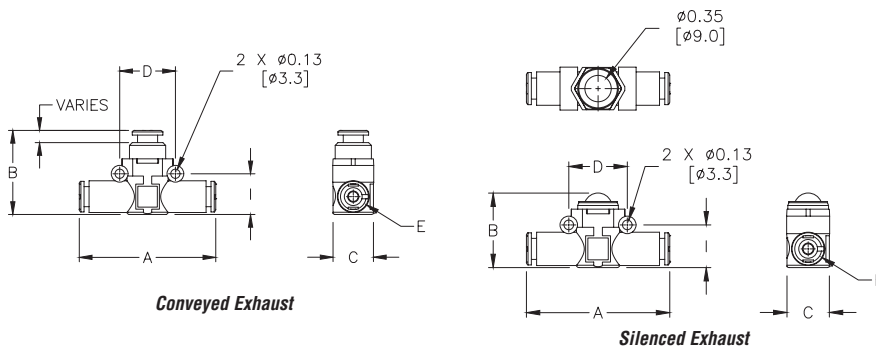
NITRA® Inline Pressure Indicators												
Inch Sizes - dimensions in inches (in.)												
Part No.	Price	Tube Size	Indicator Color	Ø	A	B	C	D	H	I	Operating Pressure Range (psi)	Package Weight (lbs)
PMU14A		1/4 in. x 1/4 in.	Orange	1/4	1.85	1.46	0.58	0.79	M15x1	0.57	29-145	0.1
PMU14G		1/4 in. x 1/4 in.	Green	1/4	1.85	1.46	0.58	0.79	M15x1	0.57	29-145	0.1
PMU516A		5/16 in. [8mm] x 5/16 in. [8mm]	Orange	5/16	2.18	1.61	0.74	0.94	M15x1	0.74	29-145	0.1
PMU516G		5/16 in. [8mm] x 5/16 in. [8mm]	Green	5/16	2.18	1.61	0.74	0.94	M15x1	0.74	29-145	0.1

See our website for complete Engineering drawings.

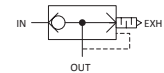
NITRA pneumatic push-to-connect in-line quick exhaust valves have a technopolymer body and nickel-plated brass valve insert, with a range of 7 to 150 psi. Normal flow is from inlet to outlet ports. Reversing flow from outlet is directed to exhaust port. These valve are ideal for use with pneumatic actuators that require a very fast stroke speed.

## Features

- Works with flexible pneumatic tubing
- Easily added to existing circuits
- Ideal for use with fast stroke air cylinders
- Two-year warranty



Conveyed Exhaust



Silenced Exhaust

NITRA® Inline Quick Exhaust Valves													
Inch Sizes - dimensions in inches (in.)													
Part No.	Price	Tube Size	Exhaust	A	B	C	D	E	I	Inlet Pressure Range (psi)	Inlet Flow Rate (scfm)*	Exhaust Flow Rate (scfm)*	Package Weight (lbs)
QEU14		1/4 in. x 1/4 in. x 1/4 in.	Conveyed	1.85	1.14	0.58	0.79	0.45	0.57	14.5-145	9.5	24.7	0.1
QEU516		5/16 in. [8mm] x 5/16 in. [8mm] x 5/16 in. [8mm]	Conveyed	2.18	1.37	0.74	0.94	0.54	0.74	14.5-145	14	35.3	0.1
QEU14-S		1/4 in. x 1/4 in.	Silenced	1.85	1.0	0.58	0.79	0.45	0.57	14.5-145	9.5	24.7	0.1
QEU516-S		5/16 in. x 5/16 in.	Silenced	2.18	1.24	0.74	0.94	0.54	0.74	14.5-145	14	35.3	0.1

\*Flow conditions: 90psi inlet pressure, 14.5 psi ΔP

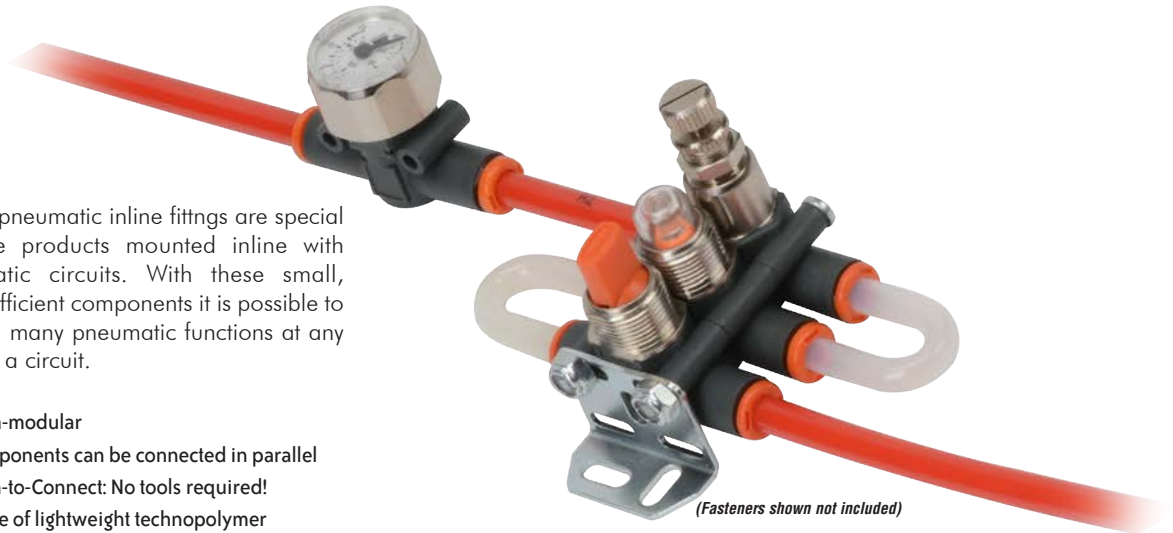
See our website for complete Engineering drawings.



# Special Purpose Push-to-Connect Pneumatic Fittings

NITRA pneumatic inline fittings are special purpose products mounted inline with pneumatic circuits. With these small, highly efficient components it is possible to perform many pneumatic functions at any point in a circuit.

- Ultra-modular
- Components can be connected in parallel
- Push-to-Connect: No tools required!
- Made of lightweight technopolymer
- Stem adapters connect push-to-connect fittings to NPT ports



**INLINE PRESSURE REGULATORS**  
from



**INLINE PRESSURE GAUGES**  
FR0m



**INLINE PRESSURE INDICATORS**  
FR0m



**INLINE MANUAL SHUTOFF VALVES**  
from



**INLINE QUICK EXHAUST VALVES**  
FR0m



**STEM ADAPTERS**  
FR0m