



# Pneumatic Modular Air Pilot Valves – BVS Series



**BVS Single Air Pilot**



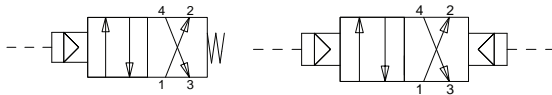
**BVS Double Air Pilot**

NITRA pneumatic BVS series modular piloted valves are body ported 4-port (4-way) valves. Models are single pilot, spring return or double pilot operated.

## Features

- Body ported 4-port (4-way) spool valves
- 1/4" or 6mm push-to-connect inlet/outlet ports
- 5/32" (4mm) push-to-connect pilot ports
- Flow coefficient (Cv) 0.8
- 2-position
- 2-year warranty

## Valve Symbols



**Diagram A**

**Diagram B**

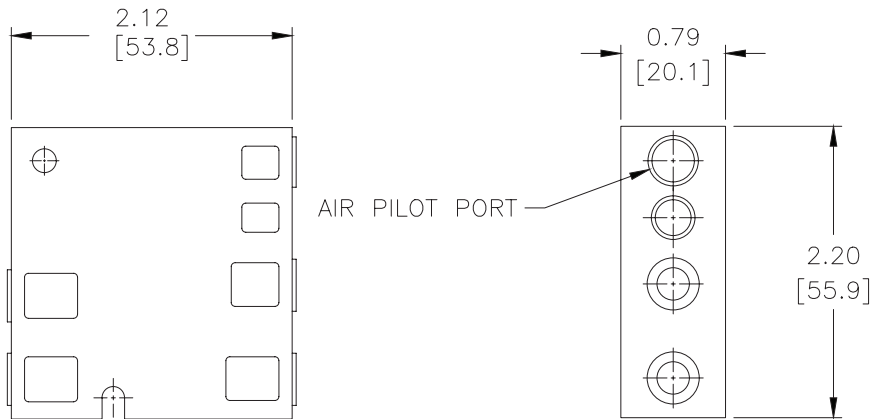
<b>BVS 4-Way Air Pilot Specifications</b>				
<b>Models</b>	<b>BVS-425-1P</b>	<b>BVS-46M-1P</b>	<b>BVS-425-2P</b>	<b>BVS-46M-2P</b>
<b>Price</b>				
<b>Weight (lbs)</b>	0.13			
<b>Acting</b>	Spool (2-Position), spring return		Spool (2-Position), double air pilot	
<b>Diagram</b>	A		B	
<b>Port Size</b>	(1) 1/4" inlet (2) 1/4" outlet (1) 1/4" exhaust (1) 5/32" (4mm) pilot	(1) 6mm inlet (2) 6mm outlet (1) 6mm exhaust (1) 5/32" (4mm) pilot	(1) 1/4" inlet (2) 1/4" outlet (1) 1/4" exhaust (2) 5/32" (4mm) pilot	(1) 6mm inlet (2) 6mm outlet (1) 6mm exhaust (2) 5/32" (4mm) pilot
<b>Orifice Size</b>	0.2" [5.0 mm] (Cv = 0.8)			
<b>Fluid</b>	Air or Inert Gas (to be filtered by 40µ filter element)			
<b>Min. / Max. Pressure</b>	30psi (2bar) - 120psi (8.3 bar)			
<b>Vacuum</b>	Air pilot models can be used in vacuum applications with external air signal to pilot ports.			
<b>Body</b>	Glass Reinforced Thermoplastic			
<b>Expected Life</b>	20,000,000 cycles at max 3 cycles/second			
<b>Temperature - Operation and Storage</b>	0-120°F (-18-49°C)			
<b>Lubrication</b>	Not Required			
<b>Protection</b>	IP 65			



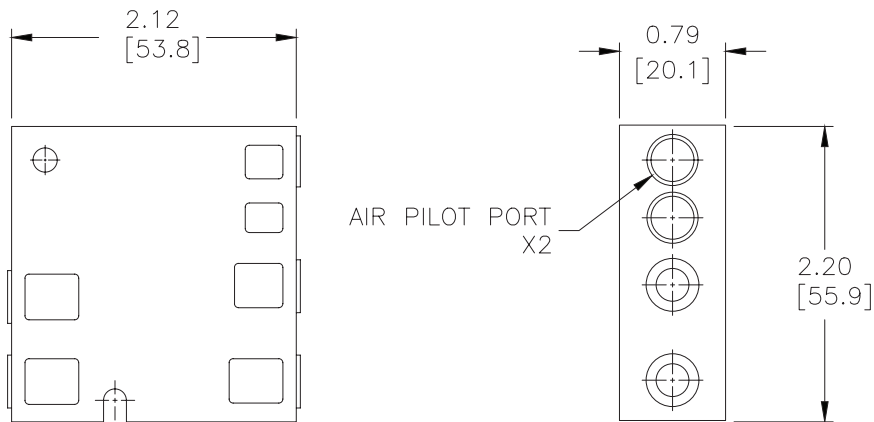
# Pneumatic Modular Air Pilot Valves – BVS Series

## Dimensions

inches [mm]



***BVS Single Air Pilot***



***BVS Double Air Pilot***

See our website  
for complete Engineering drawings.



# Manifolds for Modular Solenoid Valves – BVM-4 Series



**BVM - 2-Station**



**BVM - 3-Station**



**BVM - 4-Station**

NITRA pneumatic BVM-4 series modular manifolds simplify the mounting of BVS-4 series solenoid valves. Made of sturdy glass reinforced thermoplastic with DIN rail mounting clips included, they are available in 2, 3 and 4-station models. Push-to-connect inlet and outlet ports allow quick and easy tubing connections.

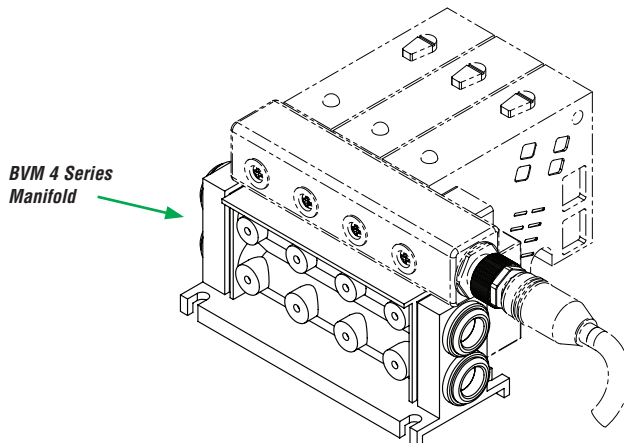
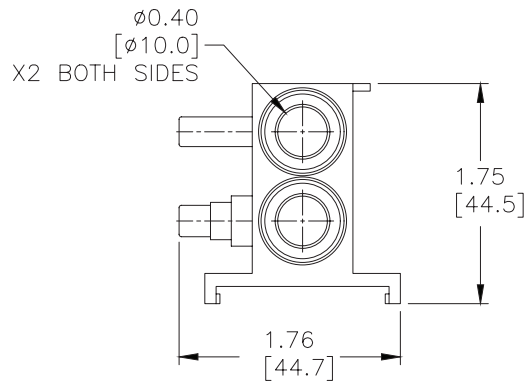
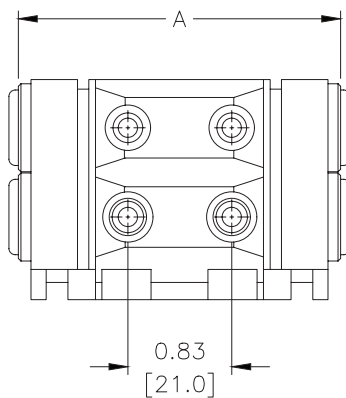
## Features

- No tools required to install/remove valves
- 2, 3 or 4-station manifolds available
- 3/8" or 10mm tube inlets and outlets
- 35 mm DIN rail mounting clips included
- 2-year warranty

BVM Series Manifolds						
Part No.	Stations	Inlet	Outlet	Dimension "A" in [mm]	Price	Weight (lbs)
<b>BVM-4225</b>	2	3/8"	3/8"	2.71 [68.9]		0.3
<b>BVM-426M</b>	2	10mm	10mm			
<b>BVM-4325</b>	3	3/8"	3/8"	3.54 [89.9]		0.3
<b>BVM-436M</b>	3	10mm	10mm			
<b>BVM-4425</b>	4	3/8"	3/8"	4.37 [110.9]		0.3
<b>BVM-446M</b>	4	10mm	10mm			

## Dimensions inches [mm]

### 2-Station Manifold



See our website  
for complete Engineering drawings.