




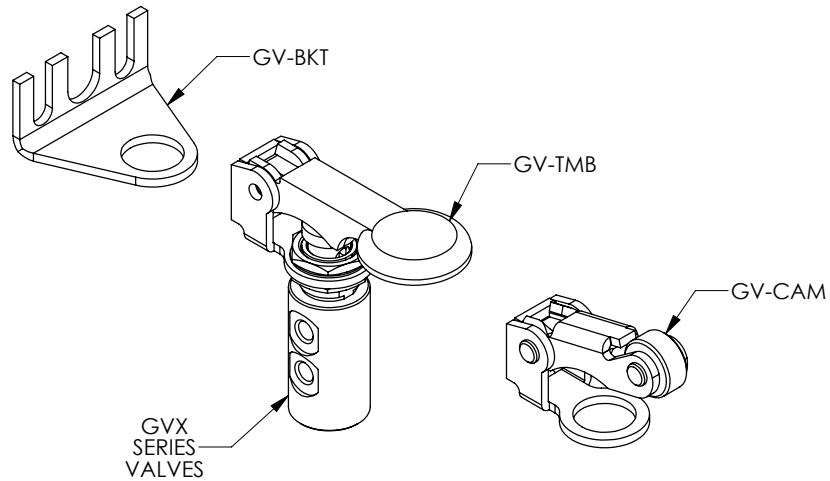


GVP and GVS Series Pneumatic Valve Accessories



Nitra Pneumatic GVP and GVS Series Pneumatic Valve Accessories				
Item	Part No.	Description	Price	Weight (lbs)
	GV-BKT	NITRA 90 degree mounting bracket, plated steel. For use with all GVP and GVS valves.		0.5
	GV-CAM	NITRA roller cam actuator, plated steel, for use with all GVP and GVS valves. The roller is manufactured from durable acetal plastic. All cams feature a unique acetal pad which minimizes side load and virtually eliminates wear.		0.5
	GV-TMB	NITRA thumb actuator, plated steel, for use with all GVP and GVS valves.		0.5

Assembly Example



See our website for complete Engineering drawings.