



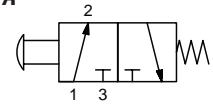
# Pneumatic Manual Valves

## Manual Valves, Normally Closed, Spring Return, Pushbutton

NITRA GVP manual valves offer a simple, convenient method for directional control and other pneumatic valve applications. All valves can be through panel mounted for a very clean looking operator interface. Valves with male NPT inlets can be threaded into MR series air manifolds to simplify supply connections.

- Swivel output port
- High flow
- Poppet design contributes to product life
- Made in USA

Diagram "A"



3-port, 2-position



Part No. GVP-3C2P-PB



Part No. GVP-3C1M2P-PB



Part No. GVP-3C1F-PB



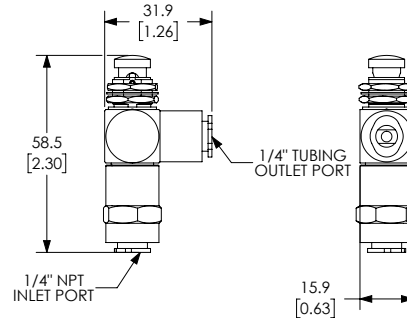
Specifications			
Models	GVP-3C2P-PB	GVP-3C1M2P-PB	GVP-3C1F-PB
Price			
Weight (lbs)	0.1	0.1	0.1
Valve Type	3-port (3-way) 2-position		
Acting	Pushbutton, normally closed, spring return, through panel mount		
Diagram	A	A	A
Port Size	90-degree ports, 1/4in tube inlet(s), 1/4in tube outlet(s), (1) vent hole exhaust(s)	90-degree ports, 1/8in male NPT inlet(s), 1/4in tube outlet(s), (1) vent hole exhaust(s)	90-degree ports, 1/8in female NPT inlet(s), 1/8in FNPT outlet(s), (1) vent hole exhaust(s)
Flow (Cv)	0.29	0.29	0.29
Fluid	Air (to be filtered by 40µ filter element)		
Min. / Max. Pressure	0 to 125 psi (0 to 8.62 bar)		
Temperature	-20°F to 160°F (-51°C to 71°C)		
Lubrication	Not Required		
Body	Aluminum/ Anodize, Brass/ Electroless Nickel, Stainless Steel, Nylon, Acetal Copolymer, Buna-N		
Protection	IP65		

### Dimensions mm [inches]

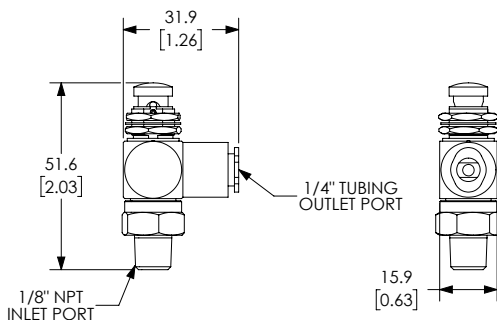
Note: For panel mounting  
 • Maximum thickness 0.25"  
 • Diameter Ø 0.484 thru

EXHAUST PORTS  
 4 PLACES EQUALLY  
 SPACED

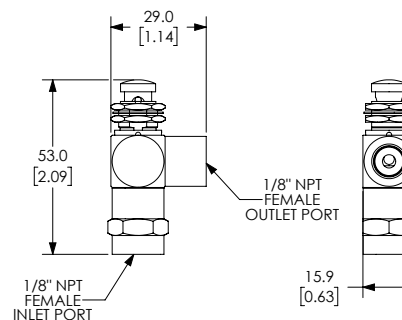
TYPICAL EXHAUST ON GVP- VALVES  
 LOCK NUTS AND WASHERS NOT  
 SHOWN FOR CLARITY



Part No. GVP-3C2P-PB



Part No. GVP-3C1M2P-PB






Part No. GVP-3C1F-PB

See our website for complete Engineering drawings.

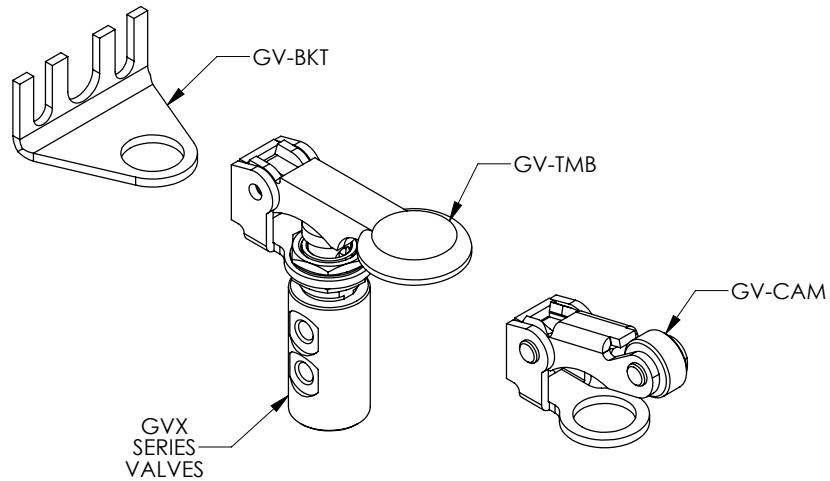


# GVP and GVS Series Pneumatic Valve Accessories



Nitra Pneumatic GVP and GVS Series Pneumatic Valve Accessories				
Item	Part No.	Description	Price	Weight (lbs)
	<b>GV-BKT</b>	NITRA 90 degree mounting bracket, plated steel. For use with all GVP and GVS valves.		0.5
	<b>GV-CAM</b>	NITRA roller cam actuator, plated steel, for use with all GVP and GVS valves. The roller is manufactured from durable acetal plastic. All cams feature a unique acetal pad which minimizes side load and virtually eliminates wear.		0.5
	<b>GV-TMB</b>	NITRA thumb actuator, plated steel, for use with all GVP and GVS valves.		0.5

## Assembly Example



See our website for complete Engineering drawings.