



SLV Series Pneumatic Lockout Valves



SLV-14N38N



SLV-12N34N

NITRA SLV Series lockout valves are typically the first valve following the FRL components in the line supplying compressed air to pneumatic equipment. They are critical components in any safety lock-out/tagout system. Available accessories include air mufflers and air pressure visual indicators.

Features

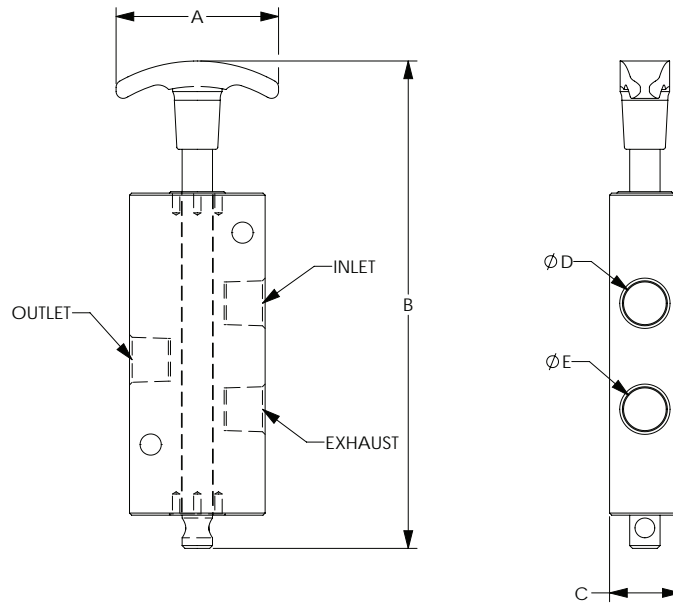
- Seven sizes from 1/4" NPT to 1-1/4" NPT available
- Critical component for OSHA lockout/tagout
- Easy push-pull activation
- Teflon® seals that won't stick
- Oversized exhaust ports for quick pressure release
- Inlet pressure: 15 to 145 psig (1 to 10 bar)



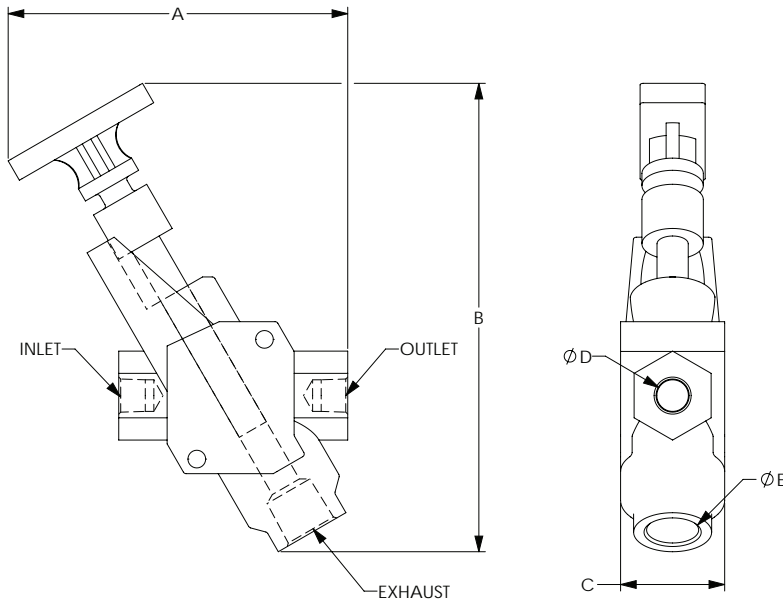
NITRA SLV Series Pneumatic Lockout Valves			
Part No.	Description	Price	Weight (lbs)
SLV-14N38N	NITRA pneumatic lockout valve, OSHA compliant, 1/4in female NPT inlet(s), 1/4in female NPT outlet(s), 3/8in female NPT exhaust(s), aluminum body.		0.9
SLV-38N38N	NITRA pneumatic lockout valve, OSHA compliant, 3/8in female NPT inlet(s), 3/8in female NPT outlet(s), 3/8in female NPT exhaust(s), aluminum body.		0.9
SLV-38N34N	NITRA pneumatic lockout valve, OSHA compliant, 3/8in female NPT inlet(s), 3/8in female NPT outlet(s), 3/4in female NPT exhaust(s), aluminum body.		1.5
SLV-12N34N	NITRA pneumatic lockout valve, OSHA compliant, 1/2in female NPT inlet(s), 1/2in female NPT outlet(s), 3/4in female NPT exhaust(s), aluminum body.		2.4
SLV-34N34N	NITRA pneumatic lockout valve, OSHA compliant, 3/4in female NPT inlet(s), 3/4in female NPT outlet(s), 3/4in female NPT exhaust(s), aluminum body.		2.3
SLV-34N114N	NITRA pneumatic lockout valve, OSHA compliant, 3/4in female NPT inlet(s), 3/4in female NPT outlet(s), 1-1/4in female NPT exhaust(s), aluminum body.		3.4
SLV-1N114N	NITRA pneumatic lockout valve, OSHA compliant, 1in female NPT inlet(s), 1in female NPT outlet(s), 1-1/4in female NPT exhaust(s), aluminum body.		3.5

NITRA SLV Series Pneumatic Lockout Valve Specifications		
Fluid		Filtered air (5 micron recommended)
Pressure Range	SLV-14N38N & SLV-38N38N	0 to 150 psig (0 to 10.34 bar)
	All others	0 to 300 psig (0 to 20.68 bar)
Cv		Dependant on silencer (muffler) size
Temperature Range		40°F to 175°F (4°C to 80°C)
Approvals		None

Dimensions inches [mm]



Dimensions					
Part #	A	B	C	ØD	ØE
SLV-14N38N	2.3 [58.42]	6.9 [175.26]	1.0 [25.40]	1/4" NPT	3/8" NPT
SLV-38N38N	2.3 [58.42]	6.9 [175.26]	1.0 [25.40]	3/8" NPT	3/8" NPT



Dimensions					
Part #	A	B	C	ØD	ØE
SLV-38N34N	6.6 [167.64]	9.0 [228.60]	2.0 [50.80]	3/8" NPT	3/4" NPT
SLV-12N34N	6.6 [167.64]	9.0 [228.60]	2.0 [50.80]	1/2" NPT	3/4" NPT
SLV-34N34N	6.6 [167.64]	9.0 [228.60]	2.0 [50.80]	3/4" NPT	3/4" NPT
SLV-34N114N	7.7 [195.58]	10.8 [274.32]	2.3 [58.42]	3/4" NPT	1-1/4" NPT
SLV-1N114N	7.7 [195.58]	10.8 [274.32]	2.3 [58.42]	1" NPT	1-1/4" NPT

See our website for complete Engineering drawings.

SLV Series Pneumatic Lockout Valves Accessories

Features

- Silencers (mufflers) are aluminum construction
- High flow rates needed for safety lockout valves
- Pressure indicator pops out when pressure of 5psi or more is present



HVM-34N



SLV-PU

Note: HVM series exhaust silencers have a maximum pressure of 250PSI (17 bar).

NITRA SLV Series Pneumatic Lockout Valve Accessories			
Part No.	Description	Price	Weight (lbs)
HVM-18N	NITRA pneumatic exhaust silencer, aluminum, cylindrical, Cv=2, 1/8in male NPT		0.1
HVM-14N	NITRA pneumatic exhaust silencer, aluminum, cylindrical, Cv=2.7, 1/4in male NPT		0.1
HVM-38N	NITRA pneumatic exhaust silencer, aluminum, cylindrical, Cv=3.2, 3/8in male NPT		0.1
HVM-38N-H	NITRA pneumatic exhaust silencer, aluminum, cylindrical, Cv=4.9, 3/8in male NPT		0.2
HVM-12N	NITRA pneumatic exhaust silencer, aluminum, cylindrical, Cv=5.9, 1/2in male NPT		0.2
HVM-34N	NITRA pneumatic exhaust silencer, aluminum, cylindrical, Cv=5.9, 3/4in male NPT		0.2
HVM-34N-H	NITRA pneumatic exhaust silencer, aluminum, cylindrical, Cv=13.5, 3/4in male NPT		0.6
HVM-1N	NITRA pneumatic exhaust silencer, aluminum, cylindrical, Cv=16.7, 1in male NPT		0.6
HVM-114N	NITRA pneumatic exhaust silencer, aluminum, cylindrical, Cv=17.4, 1-1/4in male NPT		0.6
SLV-PU	NITRA pneumatic pop up pressure indicator, 5 psi, 1/8in male NPT		0.1

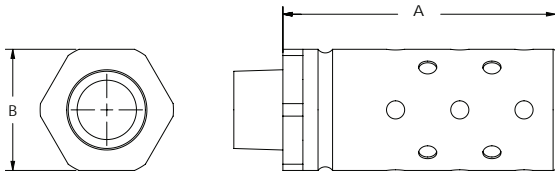


SLV Series Pneumatic Lockout Valves Accessories

Nitra High Volume Silencers (Mufflers)

Dimensions

inches [mm]

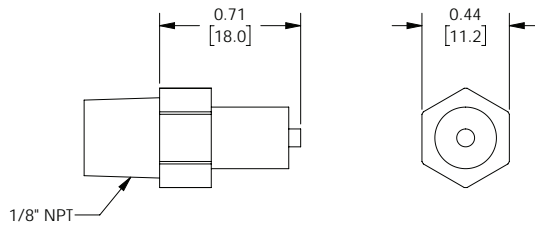


Muffer Dimensions		
Part #	A	B
HVM-18N	1.6 [40.64]	0.8 [20.32]
HVM-14N	1.6 [40.64]	0.8 [20.32]
HVM-38N	1.6 [40.64]	0.8 [20.32]
HVM-38N-H	2.9 [73.66]	1.3 [33.02]
HVM-12N	2.9 [73.66]	1.3 [33.02]
HVM-34N	2.9 [73.66]	1.3 [33.02]
HVM-34N-H	4.5 [114.30]	2.0 [50.80]
HVM-1N	4.5 [114.30]	2.0 [50.80]
HVM-114N	4.5 [114.30]	2.0 [50.80]

Nitra Pop Up Pressure Indicator

Dimensions

inches [mm]



See our website [for complete Engineering drawings.](#)