



# F-Series All Stainless Steel Pneumatic Cylinders - 1-1/2 inch Bore

1-1/2 in. Bore, Double-acting, Double End Mount, Magnetic Piston



Part no. F24030DD-M

NITRA pneumatic stainless steel round body, interchangeable, non-repairable cylinder, 1-1/2 inch bore, 1/8 inch female NPT ports, double acting, double end mount, magnetic piston.

All Stainless Steel Cylinder 1-1/2 in. bore, double acting, double end mount, magnetic piston				
Part Number	Stroke Length (in.)	"A" (in.)	Weight (lbs)	Price
F24010DD-M	1.0	5.38	1.2	
F24020DD-M	2.0	6.38	1.4	
F24030DD-M	3.0	7.38	1.5	
F24040DD-M	4.0	8.38	1.7	
F24050DD-M	5.0	9.38	1.7	
F24060DD-M	6.0	10.38	1.8	
F24080DD-M	8.0	12.38	2.1	
F24100DD-M	10.0	14.38	2.3	
F24120DD-M	12.0	16.38	2.6	

Specifications	
300 series stainless steel cylinder body	1.7 sq. in. piston area
300 series stainless steel end caps	Pre-lubricated for maintenance-free life
300 series stainless steel piston rod	Pressure rating 250 psi
Low friction Buna-N seals	Temperature range -20°F to 185°F (-28 to 85°C)
Extend force at 100 psi = 170.0 lb.	Retract force at 100 psi = 155.0 lb.

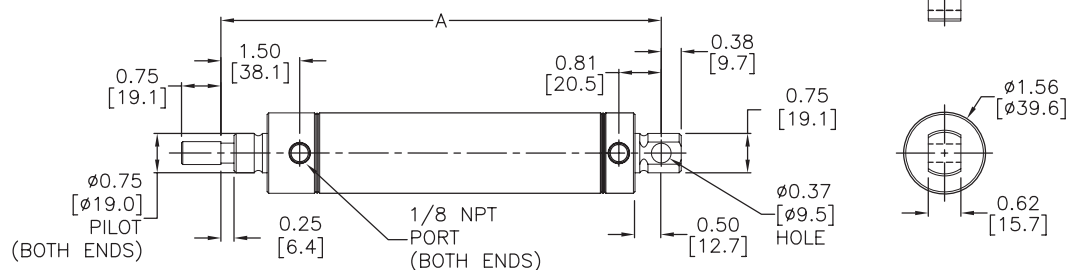
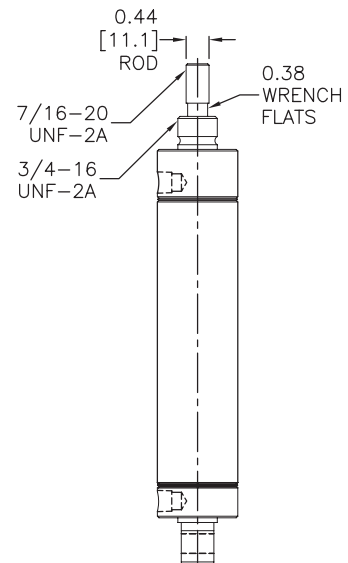
Mount Style	Bracket	Nut
Front Nose Mount	FMB-7	FN-34-16
Rear Pivot Mount	FPBP-3	-
Double End Mount	Front	FMB-7
	Rear	FMB-7

Cylinder rod clevis FRC-716-20

See end of F-series section for Accessories

## Dimensions

inches [mm]





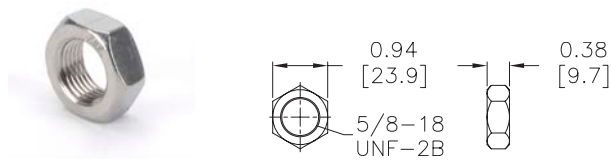
# F-Series All Stainless Steel Pneumatic Cylinder Accessories

F-Series All Stainless Steel Pneumatic Cylinder Accessories				
Part Number	Description	Pcs/Pkg	Wt (lb)	Price
<b>FN-58-18</b>	Cylinder mounting nut with 5/8-18 UNF-2B threads, stainless steel, used to mount 3/4 and 1-1/16 inch bore NITRA F-series round body air cylinders	1	0.1	
<b>FN-34-16</b>	Cylinder mounting nut with 3/4-16 UNF-2B threads, stainless steel, used to mount 1-1/2 inch bore NITRA F-series round body air cylinders	1	0.1	
<b>FN-114-12</b>	Cylinder mounting nut with 1-1/4-12 UNF-2B threads, stainless steel, used to mount 2 inch bore NITRA F-series round body air cylinders	1	0.3	
<b>FMB-6</b>	Cylinder mounting bracket, stainless steel, used to mount 3/4 and 1-1/16 inch bore NITRA F-series round body air cylinders	1	0.1	
<b>FMB-7</b>	Cylinder mounting bracket, stainless steel, used to mount 1-1/2 inch bore NITRA F-series round body air cylinders	1	0.2	
<b>FMB-11</b>	Cylinder mounting bracket, stainless steel, used to mount 2 inch bore NITRA F-series round body air cylinders	1	0.5	
<b>FPBP-2</b>	Cylinder pivot mounting bracket with pivot pin, stainless steel, used to mount 3/4 and 1-1/16 inch bore NITRA F-series round body air cylinders	1	0.1	
<b>FPBP-3</b>	Cylinder pivot mounting bracket with pivot pin, stainless steel, used to mount 1-1/2 inch bore NITRA F-series round body air cylinders	1	0.2	
<b>FPBP-4</b>	Cylinder pivot mounting bracket with pivot pin, stainless steel, used to mount 2 inch bore NITRA F-series round body air cylinders	1	0.3	
<b>FRC-14-28</b>	Cylinder rod clevis and hex nut, stainless steel, 1/4-28 thread, for use with 3/4 inch bore NITRA F-series round body air cylinders	1	0.1	
<b>FRC-516-24</b>	Cylinder rod clevis and hex nut, stainless steel, 5/16-24 thread, for use with 1-1/16 inch bore NITRA F-series round body air cylinders	1	0.1	
<b>FRC-716-20</b>	Cylinder rod clevis and hex nut, stainless steel, 7/16-20 thread, for use with 1-1/2 inch bore NITRA F-series round body air cylinders	1	0.2	
<b>FRC-12-20</b>	Cylinder rod clevis and hex nut, stainless steel, 1/2-20 thread, for use with 2 inch bore NITRA F-series round body air cylinders	1	0.2	

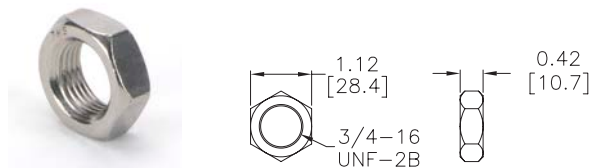
## Dimensions

inches [mm]

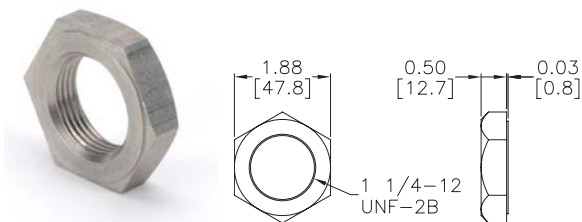
### FN-58-18



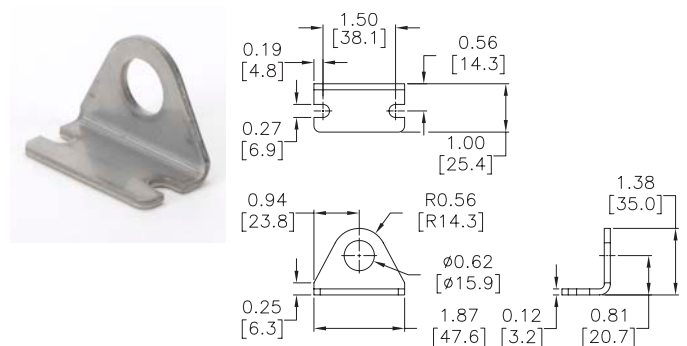
### FN-34-16



### FN-114-12



### FMB-6

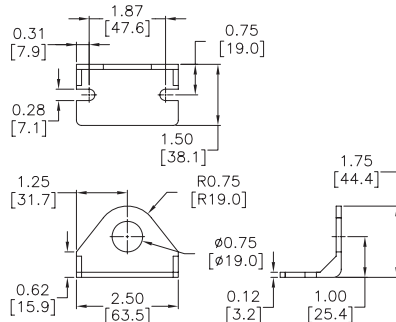


# F-Series All Stainless Steel Pneumatic Cylinder Accessories

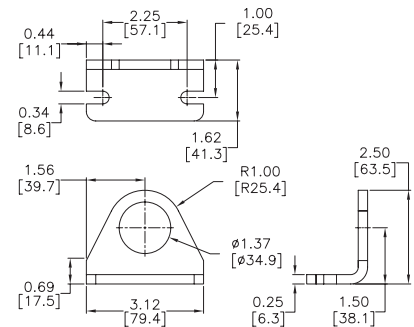
## Dimensions

inches [mm]

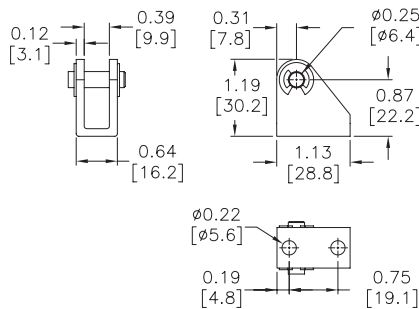
### FMB-7



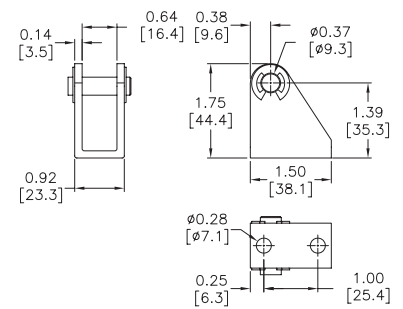
### FMB-11



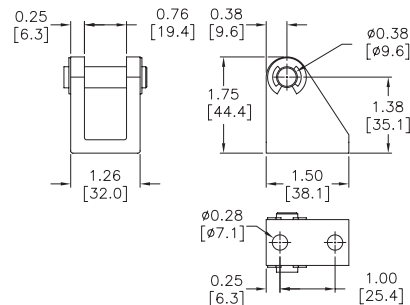
### FPBP-2



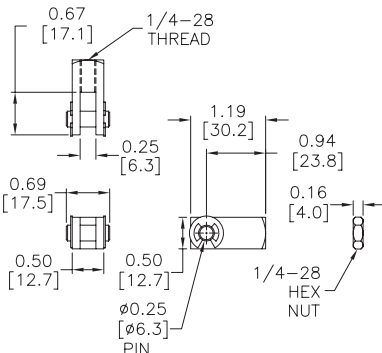
### FPBP-3



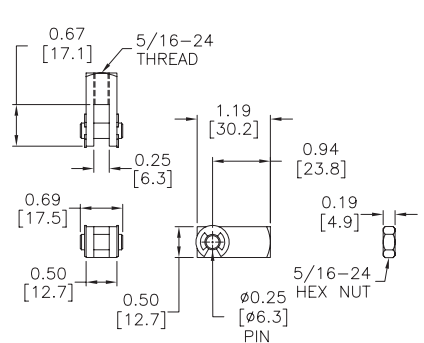
### FPBP-4



### FRC-14-28



### FRC-516-24



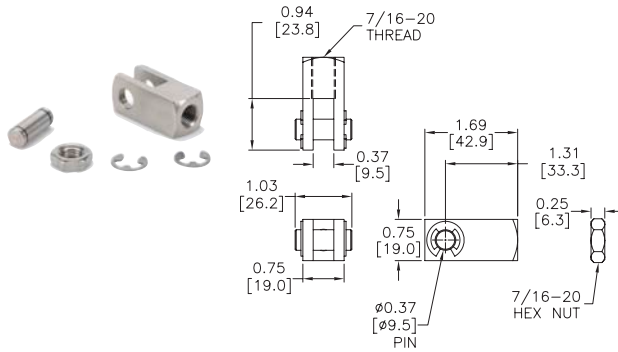


# F-Series All Stainless Steel Pneumatic Cylinder Accessories

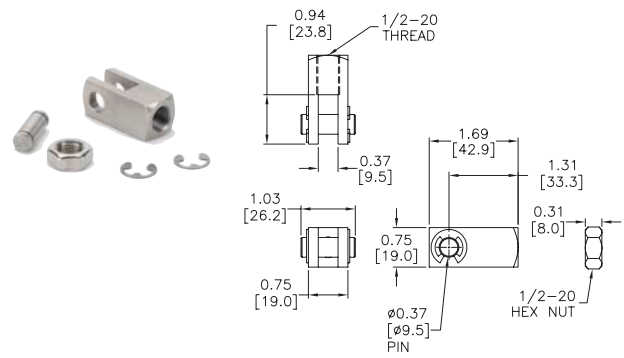
## Dimensions

inches [mm]

### FRC-716-20



### FRC-12-20



Position Switch Cross Reference Chart			
NITRA Switch Type	Cylinder Brand (may fit some of these cylinders)	Photo Example	Groove Illustration
CPS CPSF	NITRA A-Series, D-Series, F-Series		
CPS9C	DE-STA-CO Robohand SMC Compact Air		
CPS9D	Fabco Numatics Rotomation		
CPS9F	NITRA G-Series Fabco Festo Numatics Rotomation		
CPS9H	NITRA E-Series NITRA H-Series		
CPS9M	Norgren		
CPS9Q	NITRA G-Series Parker		
CPS9T	SMC		