



F-Series All Stainless Steel Pneumatic Cylinders - 3/4 inch Bore

3/4 in. Bore, Double-acting, Double End Mount, Magnetic Piston



Part no. F12030DD-M

NITRA pneumatic stainless steel round body, interchangeable, non-repairable cylinder, 3/4 inch bore, 1/8 inch female NPT ports, double acting, double end mount, magnetic piston.

All Stainless Steel Cylinder 3/4 in. bore, double acting, double end mount, magnetic piston				
Part Number	Stroke Length (in.)	"A" (in.)	Weight (lbs)	Price
F12010DD-M	1.0	4.75	0.3	
F12020DD-M	2.0	5.75	0.5	
F12030DD-M	3.0	6.75	0.5	
F12040DD-M	4.0	7.75	0.5	
F12050DD-M	5.0	8.75	0.6	
F12060DD-M	6.0	9.75	0.6	
F12080DD-M	8.0	11.75	0.8	
F12100DD-M	10.0	13.75	0.8	
F12120DD-M	12.0	15.75	0.9	

Specifications	
300 series stainless steel cylinder body	0.40 sq. in. piston area
300 series stainless steel end caps	Pre-lubricated for maintenance-free life
300 series stainless steel piston rod	Pressure rating 250 psi
Low friction Buna-N seals	Temperature range -20°F to 185°F (-28 to 85°C)
Extend force at 100 psi = 40.0 lb.	Retract force at 100 psi = 35.1 lb.

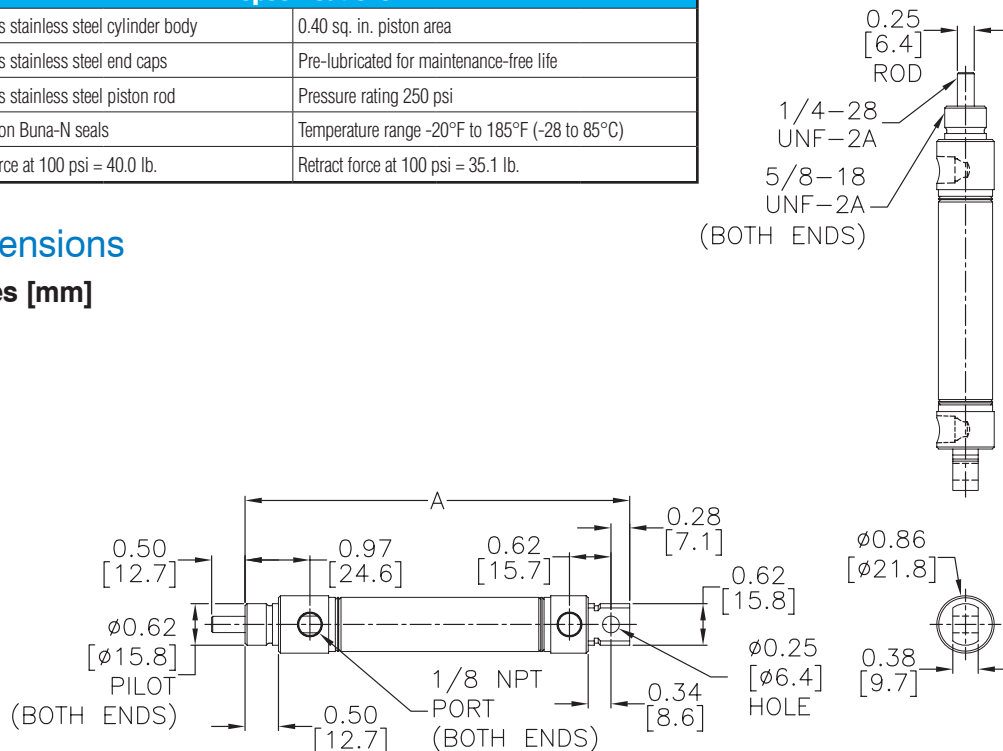
Mount Style	Bracket	Nut
Front Nose Mount	FMB-6	FN-58-18
Rear Pivot Mount	FPBP-2	—
Double End Mount	Front	FMB-6
	Rear	FMB-6

Cylinder rod clevis FRC-14-28

See end of F-series section for Accessories

Dimensions

inches [mm]





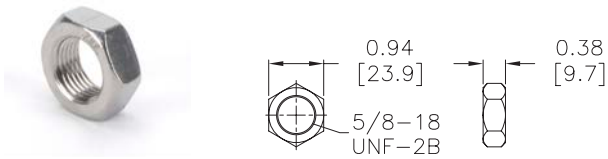
F-Series All Stainless Steel Pneumatic Cylinder Accessories

F-Series All Stainless Steel Pneumatic Cylinder Accessories				
Part Number	Description	Pcs/Pkg	Wt (lb)	Price
FN-58-18	Cylinder mounting nut with 5/8-18 UNF-2B threads, stainless steel, used to mount 3/4 and 1-1/16 inch bore NITRA F-series round body air cylinders	1	0.1	
FN-34-16	Cylinder mounting nut with 3/4-16 UNF-2B threads, stainless steel, used to mount 1-1/2 inch bore NITRA F-series round body air cylinders	1	0.1	
FN-114-12	Cylinder mounting nut with 1-1/4-12 UNF-2B threads, stainless steel, used to mount 2 inch bore NITRA F-series round body air cylinders	1	0.3	
FMB-6	Cylinder mounting bracket, stainless steel, used to mount 3/4 and 1-1/16 inch bore NITRA F-series round body air cylinders	1	0.1	
FMB-7	Cylinder mounting bracket, stainless steel, used to mount 1-1/2 inch bore NITRA F-series round body air cylinders	1	0.2	
FMB-11	Cylinder mounting bracket, stainless steel, used to mount 2 inch bore NITRA F-series round body air cylinders	1	0.5	
FPBP-2	Cylinder pivot mounting bracket with pivot pin, stainless steel, used to mount 3/4 and 1-1/16 inch bore NITRA F-series round body air cylinders	1	0.1	
FPBP-3	Cylinder pivot mounting bracket with pivot pin, stainless steel, used to mount 1-1/2 inch bore NITRA F-series round body air cylinders	1	0.2	
FPBP-4	Cylinder pivot mounting bracket with pivot pin, stainless steel, used to mount 2 inch bore NITRA F-series round body air cylinders	1	0.3	
FRC-14-28	Cylinder rod clevis and hex nut, stainless steel, 1/4-28 thread, for use with 3/4 inch bore NITRA F-series round body air cylinders	1	0.1	
FRC-516-24	Cylinder rod clevis and hex nut, stainless steel, 5/16-24 thread, for use with 1-1/16 inch bore NITRA F-series round body air cylinders	1	0.1	
FRC-716-20	Cylinder rod clevis and hex nut, stainless steel, 7/16-20 thread, for use with 1-1/2 inch bore NITRA F-series round body air cylinders	1	0.2	
FRC-12-20	Cylinder rod clevis and hex nut, stainless steel, 1/2-20 thread, for use with 2 inch bore NITRA F-series round body air cylinders	1	0.2	

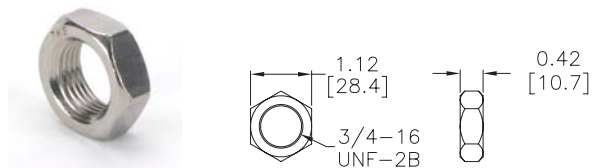
Dimensions

inches [mm]

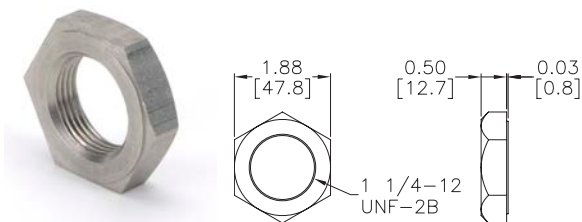
FN-58-18



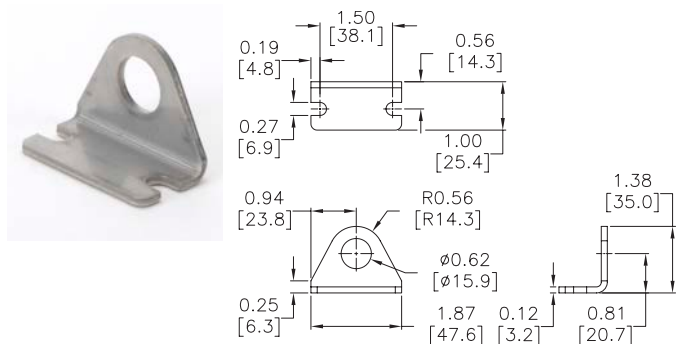
FN-34-16



FN-114-12



FMB-6

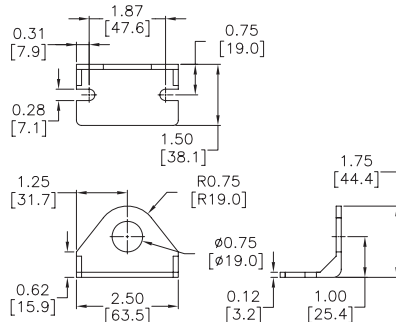


F-Series All Stainless Steel Pneumatic Cylinder Accessories

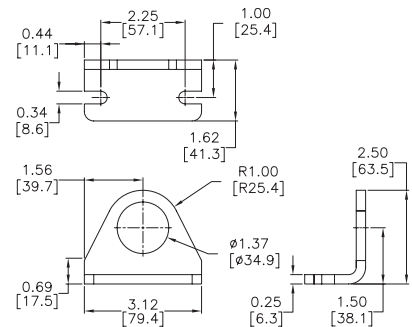
Dimensions

inches [mm]

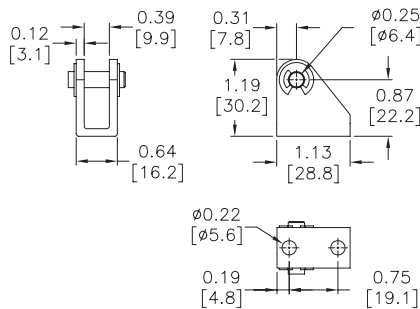
FMB-7



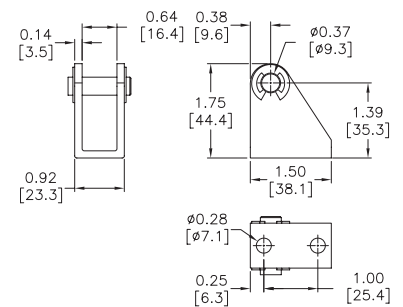
FMB-11



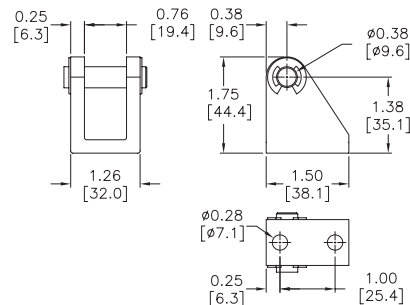
FPBP-2



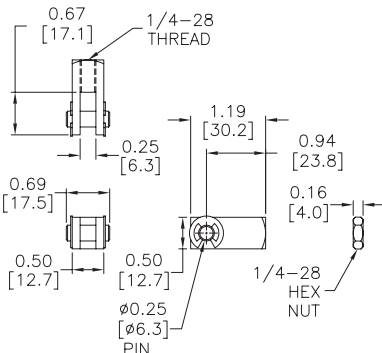
FPBP-3



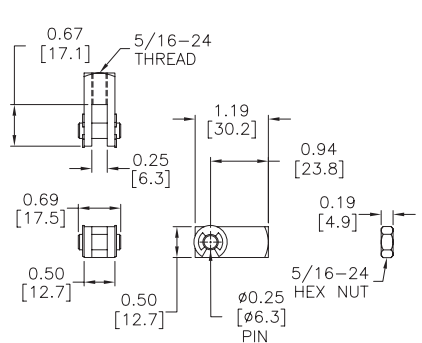
FPBP-4



FRC-14-28



FRC-516-24



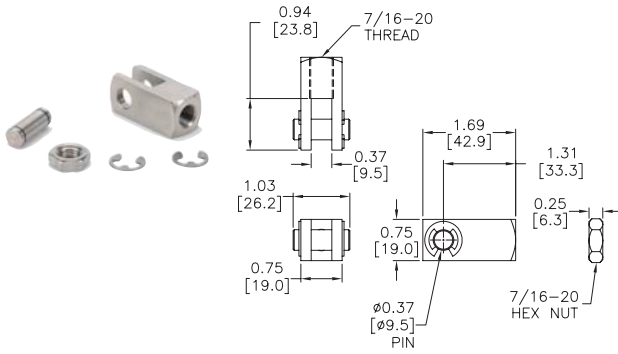


F-Series All Stainless Steel Pneumatic Cylinder Accessories

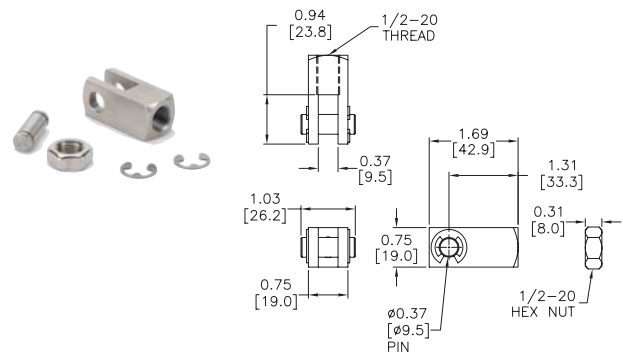
Dimensions

inches [mm]

FRC-716-20



FRC-12-20



Position Switch Cross Reference Chart			
NITRA Switch Type	Cylinder Brand (may fit some of these cylinders)	Photo Example	Groove Illustration
CPS CPSF	NITRA A-Series, D-Series, F-Series		
CPS9C	DE-STA-CO Robohand SMC Compact Air		
CPS9D	Fabco Numatics Rotomation		
CPS9F	NITRA G-Series Fabco Festo Numatics Rotomation		
CPS9H	NITRA E-Series NITRA H-Series		
CPS9M	Norgren		
CPS9Q	NITRA G-Series Parker		
CPS9T	SMC		