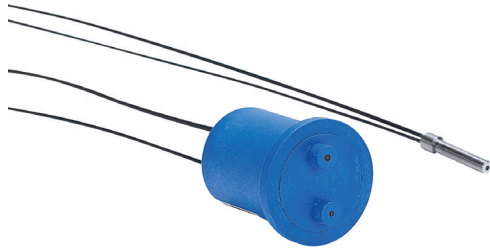


OPT Series Color Sensors Cable

Plastic Fiber Optic Cable

OPT2075 Diffuse Reflex Mode

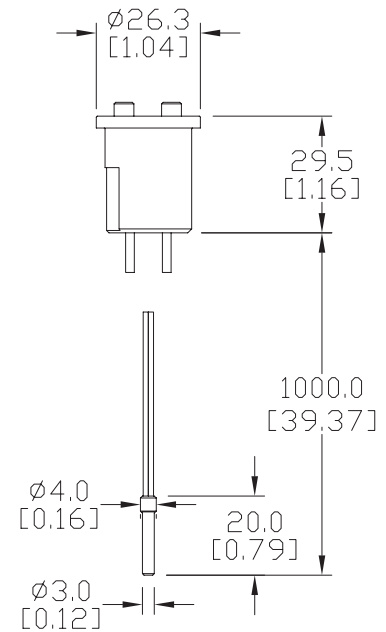
- Compatible with the OPT2022 6-channel sensor
- Designed for installation in tight spaces
- IP68



OPT2075 Specifications	
Part Number	OPT2075
Price	
Optical Fiber Core Ø	0.5 mm
Sensing Distance with OPT series	10mm
Fiber Length (L)	1m
Fiber Bending Radius	15mm
Spot Diameter	0.5 to 2 mm
Temperature Range	-40 to 85°C [-40 to 185°F]
Fiber Materials	PMMA
Sleeve Materials	PE (black)
Head Materials	Stainless steel
Jacket Diameter	1.3 mm
Fiber Distribution	Coaxial arrangement
Opening Angle	55°
Light Emission	Straight

Dimensions

mm [inch]



See our website: for complete Engineering drawings.

OPT Series Color Sensors Cable

Glass Fiber Optic Cable

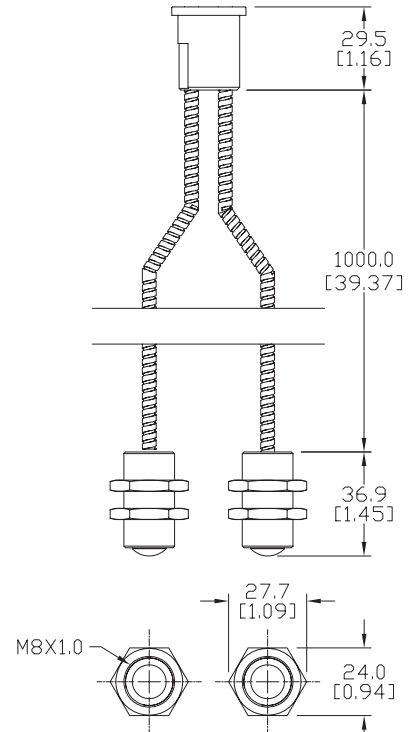
OPT2087 Through-Beam Mode



OPT2087 Specifications	
Part Number	OPT2087
Price	
Optical Fiber Core Ø	3mm
Sensing Distance with OPT series	600mm
Fiber Length (L)	1m
Fiber Bending Radius	50mm
Free Cut	No
Head Size	M18
Temperature Range	0 to 60°C [32 to 140°F]
Fiber Materials	Glass
Sleeve Materials	Brass (CuZn) nickel-plated
Head Materials	Anodized aluminum
Fiber Diameter	3mm
Fiber Distribution	Statistical mixture
Opening Angle	30°

Dimensions

mm [inch]



See our website: for complete Engineering drawings.

OPT Series Color Sensors Cable

Glass Fiber Optic Cable

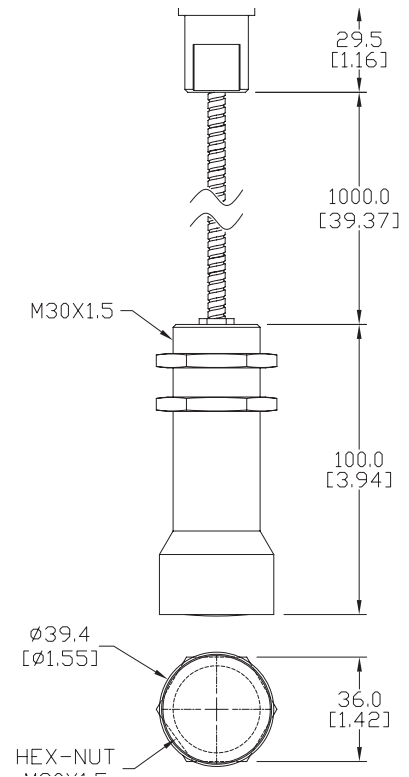
OPT2088 Diffuse (Reflex) Mode



OPT2088 Specifications	
Part Number	OPT2088
Price	
Optical Fiber Core Ø	3mm
Sensing Distance with OPT series	100mm
Fiber Length (L)	1m
Fiber Bending Radius	50mm
Free Cut	No
Head Size	M30
Temperature Range	0 to 60°C [32 to 140°F]
Fiber Materials	Glass
Sleeve Materials	Brass (CuZn) nickel-plated
Head Materials	Anodized aluminum
Fiber Diameter	3mm
Fiber Distribution	Statistical mixture

Dimensions

mm [inch]



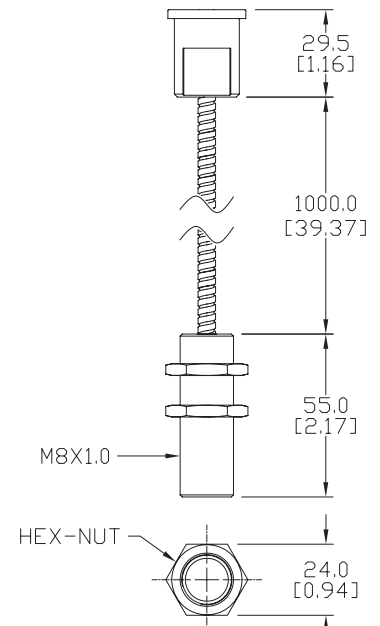
OPT2089 Diffuse (Reflex) Mode



OPT2089 Specifications	
Part Number	OPT2089
Price	
Optical Fiber Core Ø	1.6 mm
Sensing Distance with OPT series	18mm
Fiber Length (L)	1m
Fiber Bending Radius	50mm
Free Cut	No
Head Size	M18
Temperature Range	0 to 60°C [32 to 140°F]
Fiber Materials	Glass
Sleeve Materials	Brass (CuZn) nickel-plated
Head Materials	Anodized aluminum
Fiber Diameter	1.6 mm
Fiber Distribution	Statistical mixture

Dimensions

mm [inch]



See our website: for complete Engineering drawings.