

CPU Modules

P3-550

P3-550E

The P3-550 Standard and P3-550E are high-performance CPUs. Both have multiple communications ports which support USB, Ethernet and serial devices. Both provide a 4-line x 10-character LCD, remote I/O capability and the P3-550 has a USB programming port.

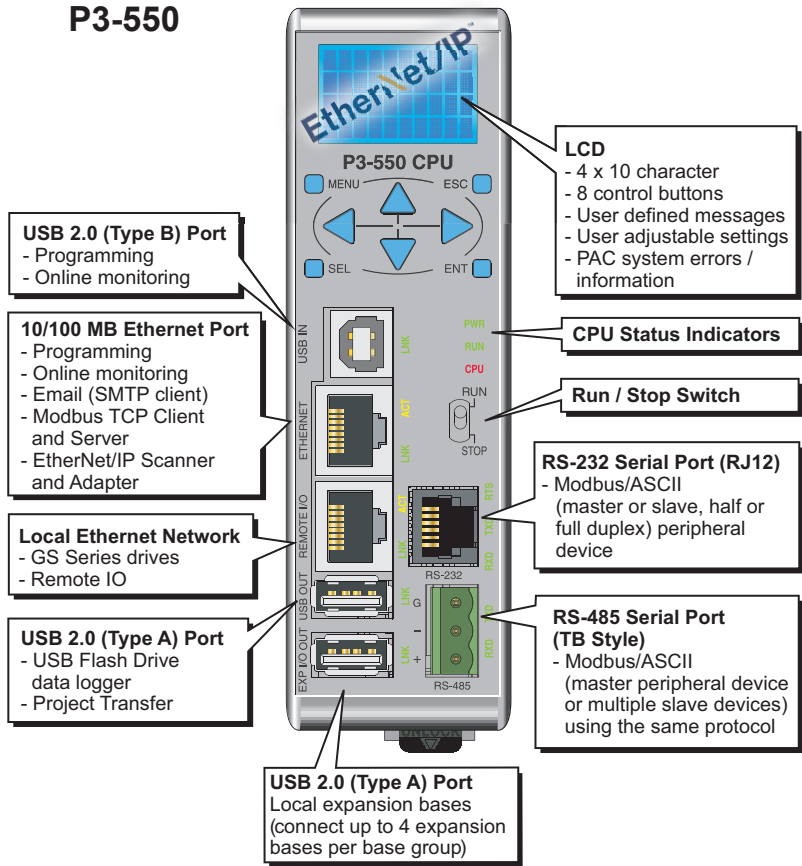
Each Productivity3000® system requires one CPU module be mounted in the controller slot on the first base of the local base group. The CPU stores and executes the user's program.

The system can be expanded with the P3-RX or P3-EX module when using the P3-550(E) CPUs. The local, expansion, and remote I/O (P3-550(E) only) are assigned preconfigured or user-defined tag names which can be easily referenced in the ladder logic program.



NOTE: A replacement LCD display is available for P3-550 and P3-550E. Order Part number P3-LCD.

P3-550



P3-LCD

CPU Status Indicators

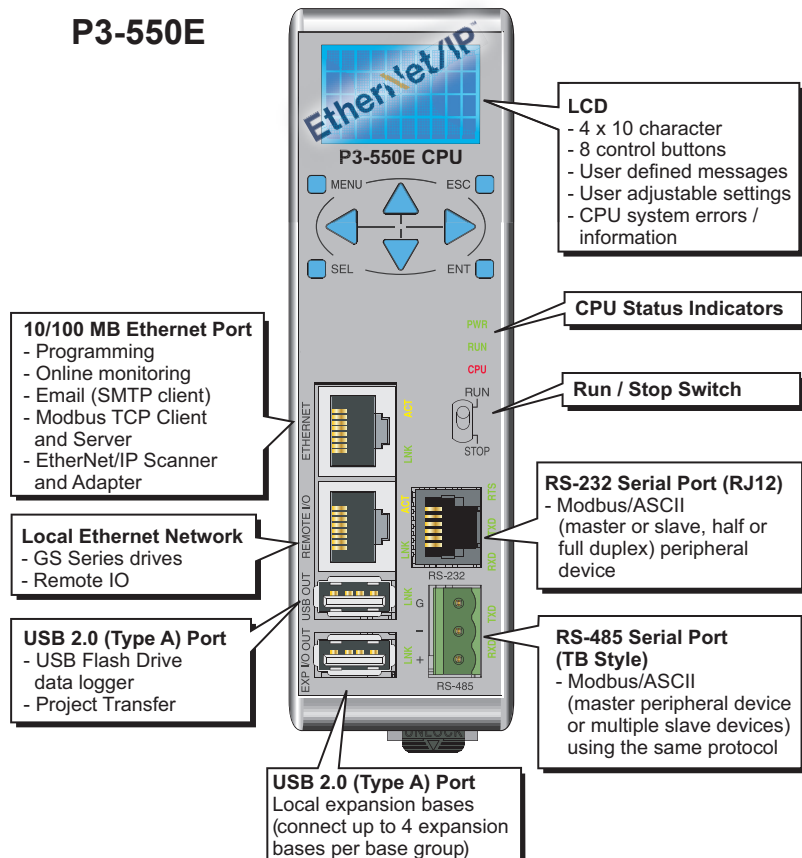
PWR	Green LED is illuminated when power is on
RUN	Green LED is illuminated when CPU is in RUN mode
CPU	Red LED is illuminated during power on reset, power down, or watch-dog time-out.



CPU Run/Stop Switch

RUN position	Executes user program, run-time edits possible
STOP position	Does not execute user program, normal program load position

P3-550E



CPU Modules

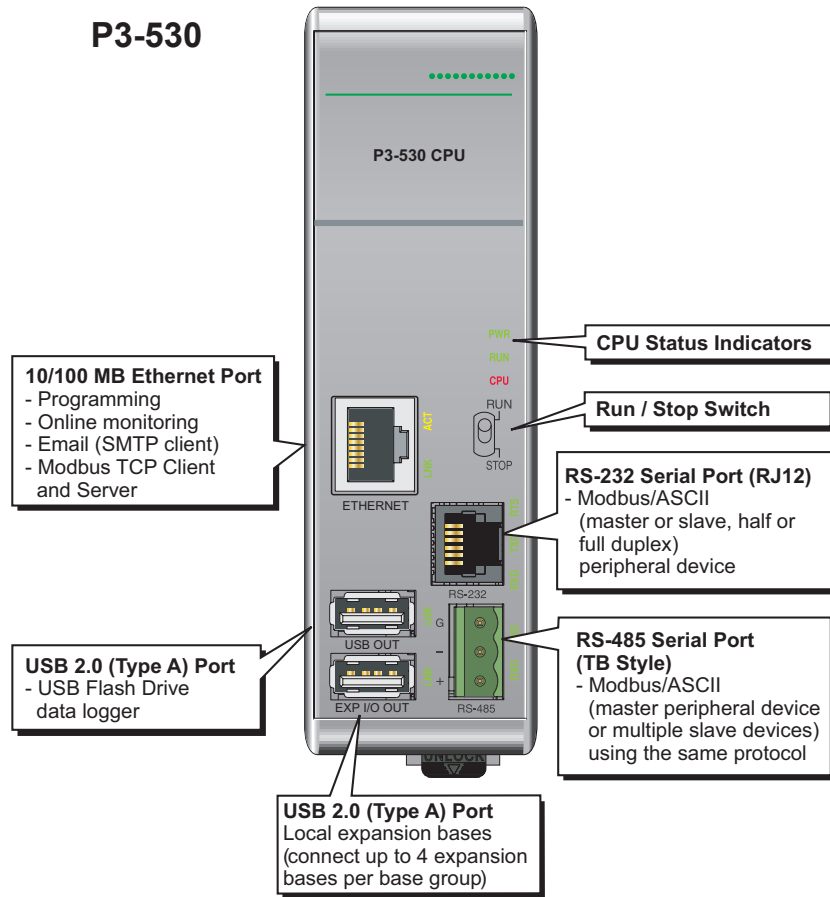
P3-530

The P3-530 Basic is a high-performance CPU. Several communications ports support Ethernet and serial devices.

Each Productivity3000® system requires one CPU module mounted in the controller slot in the first base of the local base group. The CPU stores and executes the user's program.

The system can be expanded with the P3-EX module when using the P3-530 CPU. The local I/O are assigned preconfigured or user-defined tag names which can be easily referenced in the ladder logic program.

P3-530



CPU Status Indicators	
PWR	Green LED is illuminated when power is on
RUN	Green LED is illuminated when CPU is in RUN mode
CPU	Red LED is illuminated during power on reset, power down, or watch-dog time-out.



CPU Run/Stop Switch	
RUN position	Executes user program, run-time edits possible
STOP position	Does not execute user program, normal program load position

CPU Modules

Specifications (see notes below)

CPU Specifications	P3-550	P3-550E	P3-530
User Memory	50MB (Includes program, data and documentation)		25MB (Includes program, data and documentation)
Memory Type	Flash and Battery Backed RAM		
Retentive Memory	Models C3 and earlier: 100K Models D and later: 492K	492K	
Scan Time	600µs (3K Boolean, 1K I/O)		
Display	LCD, 4x10 characters, backlit, 8 control buttons; LCD characters are 5x7 with a dot pitch of 0.45 mm; 2.25 mm x 3.15 mm		N/A
Communications	USB IN: Programming, Monitoring, Debug, Firmware		N/A
	ETHERNET: (10/100 Mbps Ethernet) Programming, Monitoring, Debug, Firmware, Email SMTP Client, Modbus TCP Client (32 slaves) and Server (32 masters), EtherNet/IP Scanner (128 Scanner connections) and Adapter (16 connections)		ETHERNET: (10/100 Mbps Ethernet) Programming, Monitoring, Debug, Firmware, Email SMTP Client, Modbus TCP Client (32 slaves) and Server (32 masters)
	REMOTE I/O: (10/100 Mbps Ethernet) 16 RX Remote Base Groups, and 32 GS EDRV100 (GS Drives)		N/A
	USB OUT: (2.0) Data Logging and Project Transfer using pen drive (USB-FLASH recommended)		USB OUT: (2.0) Data Logging using pen drive (USB-FLASH recommended)
	EXP I/O OUT: (2.0 Proprietary) 4 P3-EX Local Expansion Bases		
	RS-232: (RJ12, 1200–115.2k baud) Modbus RTU, ASCII full or half duplex		
RS-485: Removable Terminal Included, (1200–115.2k baud) ASCII, Modbus			
Hardware Limits of System	17 Base Groups 1 Local (P3-550) + 16 Remote (P3-RX) 5 Bases per Base Group 1 P3-550 or P3-RX + 4 Expansion (P3-EX) 85 Bases Total 1 (CPU) + 16 (Remote) + 68 (Expansion) 59,840 Hardware I/O Points (All 64-point I/O Modules) 32 GS Series Drives as Remote I/O		5 Bases Total 1 P3-530 + 4 Expansion (P3-EX) 3,520 Hardware I/O Points (All 64-point I/O Modules)
Instruction Types	Application Functions Array Functions Counters/Timers Communications	Data Handling Drum Sequencers Math Functions PID	Program Control String Functions System Functions Contacts Coils High Speed I/O
Real Time Clock Accuracy	±5s per day typical at 25°C ±15s per day maximum at 60°C	±5s per day typical at 25°C ambient: 1sec/day* ±15s per day maximum at 60°C ambient: 2sec/day*	±5s per day typical at 25°C ±15s per day maximum at 60°C

*Revision B and higher.

IMPORTANT!



Hot-Swapping Information

Note: This device cannot be Hot Swapped.

NOTES:

- To utilize the 492K of retentive memory in the P3-550(E) rev. D or later CPU, you must use Productivity3000® software version 1.0.7.XX and firmware version 1.1.13.XX or later.
- When using the P3-530 CPU, you must use Productivity3000 software version 1.0.7.XX and firmware version 1.1.13.XX or later.
- For EtherNet/IP support in the P3-550 CPU, you must use ProductivitySuite software version 1.10.0.11 or later and firmware version 1.1.15.97 or later
- For EtherNet/IP support in the P3-550E CPU, you must use ProductivitySuite software version 2.2.0.XX or later.

CPU Modules

General Specifications	
Operating Temperature	0°C– 60°C (32°F–140°F)
Storage Temperature	-20°C–70°C (-4°F–158°F)
Humidity	5 to 95% (non-condensing)
Environmental Air	No corrosive gases permitted
Vibration	IEC60068-2-6 (Test Fc)
Shock	IEC60068-2-27 (Test Ea)
Heat Dissipation	7W
Enclosure Type	Open equipment
Module Location	Controller slot in the local base in a Productivity3000 system
Weight	260g (9oz)
Agency Approvals	UL508 file E157382, Canada & USA UL1604 file E200031, Canada & USA CE (EN61131-2*) This equipment is suitable for use in Class 1, Division 2, Groups A, B, C and D or non-hazardous locations only.

*Meets EMC and Safety requirements. See the Declaration of Conformity for details.



NOTE: When using the P3-550E CPU, you must use Productivity Suite software version 2.2.0.XX or later.

P3-550(E)/P3-530 Product Comparison			
CPU	P3-550	P3-550E	P3-530
LCD Display			
USB Prog/Mon Port			
Ethernet Port			
EtherNet/IP Protocol			
Remote Expansion Port			
USB Memory Stick Port			
USB Local Expansion Port			
RS-232 RJ12 Port			
RS-485 Port			
User Memory	50 MB	50 MB	25 MB

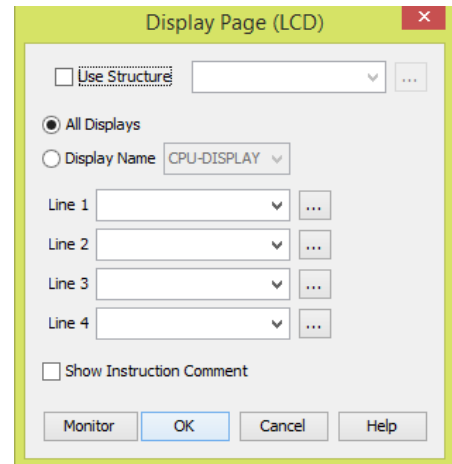
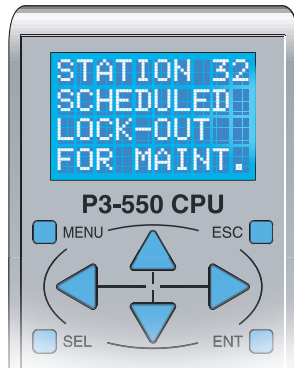
CPU Modules

LCD Message Display P3-550(E)

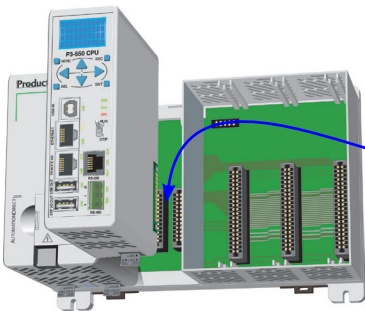
The P3-550(E) CPU incorporates a 4-line x 10-character LCD Display for system alarms and information or for displaying user-defined messages.

LCD control buttons located beneath the display allow the user to navigate through a menu, and arrow buttons allow for configuration of time and date settings.

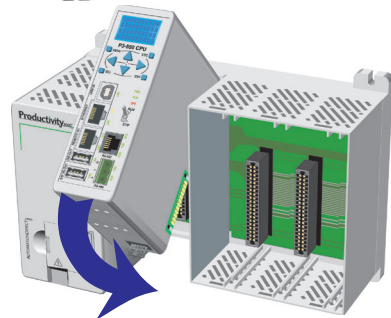
For user-defined messages, the display is configured using the Productivity Suite Programming Software. An LCD Page instruction allows the user to program text into user-defined tags and display the messages based on the ladder execution.



CPU Installation



Step One:
Locate the two sockets next to the power supply; the CPU will be inserted into this location.



Step Two:
Insert the CPU at a 45° angle into the notch located at the top of the base and rotate down until seated.



Step Three:
Snap retaining tab into the locked position.

WARNING: Explosion hazard – Do not connect or disconnect connectors or operate switches while circuit is live unless the area is known to be non-hazardous. Do not hot swap.

Battery (Optional)

A battery is included with the P3-550(E) and P3-530 CPUs, but is not installed. The battery can be installed to retain the Time and Date along with any Tagname values that are set up as retentive.

The battery is not needed for program backup.

Battery (Optional)	
D2-BAT-1	Coin type, 3.0V Lithium battery, 560mA, battery number CR2354

Step One:
Press spring lock and swing battery compartment away from CPU.



Step Two:
Insert battery and close compartment.



Take care to insert battery behind metal tab.