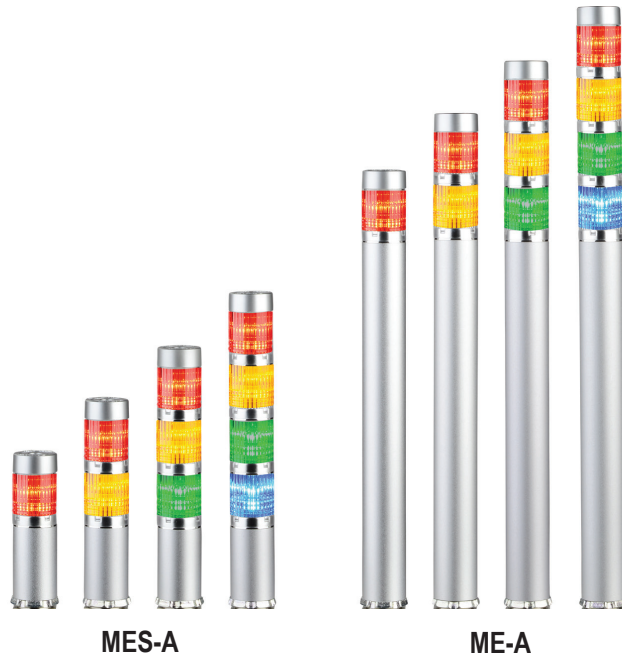


PATLITE® 25mm LED Signal Towers

Features

- Slim aluminum body is ideal for small devices
- Prism-cut lens design for enhanced visibility from any direction
- Impact and heat resistant polycarbonate resin lens for superior durability and light transmission
- High intensity illumination design
- Direct mount installation with a single hole
- Interchangeable modules do not need re-wiring, even after installation
- Corrosion resistant anodized aluminum body
- UL recognized File No. E215660
- NPN models IP42; PNP models IP65



25mm LED Signal Towers Selection									
Part Number	Price	Drawing Link	Modules		Polarity	Light Function	Wiring	Body Style	Mounting
			#	LED					
MES-102A-R		PDF	1	red	NPN	Continuous light	460mm pigtail	Short body	Direct mount installation
MES-202A-RG		PDF	2	red, green					
MES-302A-RYG		PDF	3	red, amber, green					
MES-402A-RYGB		PDF	4	red, amber, green, blue					
MES-102P-R		PDF	1	red	PNP	Continuous light	300mm pigtail	Standard body	
MES-202P-RG		PDF	2	red, green					
MES-302P-RYG		PDF	3	red, amber, green					
MES-402P-RYGB		PDF	4	red, amber, green, blue					
ME-102A-R		PDF	1	red	NPN	Continuous light	300mm pigtail	Standard body	
ME-202A-RG		PDF	2	red, green					
ME-302A-RYG		PDF	3	red, amber, green					
ME-402A-RYGB		PDF	4	red, amber, green, blue					
ME-102P-R		PDF	1	red	PNP	Continuous light	300mm pigtail	Standard body	
ME-202P-RG		PDF	2	red, green					
ME-302P-RYG		PDF	3	red, amber, green					
ME-402P-RYGB		PDF	4	red, amber, green, blue					

Note: Please see the accessories section of this section for optional and/or replacement components.
Colors in order from left to right.

PATLITE® 25mm LED Signal Towers

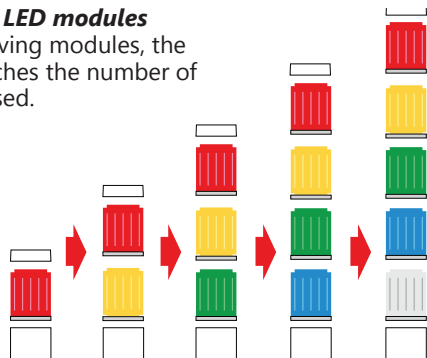
Specifications

25mm LED Signal Towers Technical Specifications									
# of Tiers	Part Number	Rated Voltage		Operating Voltage		Power Consumption		Weight g [oz]	
1	MES-102A-R	24VDC	±10%			0.6 W	120 [4.23]		
	MES-102P-R						220 [7.76]		
	ME-102A-R								
	ME-102P-R								
2	MES-202A-RG					1.1 W	130 [4.59]		
	MES-202P-RG						230 [8.11]		
	ME-202A-RG								
	ME-202P-RG								
3	MES-302A-RYG					1.7 W	140 [4.94]		
	MES-302P-RYG						240 [8.47]		
	ME-302A-RYG								
	ME-302P-RYG								
4	MES-402A-RYGB	2.3 W	150 [5.29]						
	MES-402P-RYGB		250 [8.82]						
	ME-402A-RYGB								
	ME-402P-RYGB								
Signal wire current (Rated Current Consumption)	LED Unit	Red		Amber		Green		Blue	
		NPN	PNP	NPN	PNP	NPN	PNP	NPN	PNP
	Typical	25.2 mA		25.2 mA		13.3 mA	20.3 mA	13.3 mA	20.5 mA
	Max	30.2 mA	27.2 mA	29.2 mA		17.0 mA	23.8 mA	17.0 mA	27.0 mA
Luminosity		>1300mcd	>350mcd	>800mcd	>700mcd	>1100mcd	>500mcd	>500mcd	>250mcd
Wire Size		22AWG							
Operating ambient temperature		-10 to +55°C [+14 to +133°F]							
Operating ambient humidity		Less than 90% (no condensation)							
Vibration resistance		19.6 m/s ² @ 30Hz							
Insulation resistance		More than 1MΩ at 500VDC between the terminals and the chassis							
Withstand voltage		500VAC applied for 1 min between terminals and chassis without breaking insulation							
Ingress protection rating		PNP models IP65, NPN models IP42							
Conformity standards		UL 508, CSA-C22.2 No.14, RoHs Directive (EN 50581)							

To obtain the most current agency approval information, see the Agency Approval Checklist section on the specific part number's web page.

Easily add or replace LED modules

When adding or removing modules, the center screw that matches the number of tiers has to be purchased.



Interchangeable LED Modules

Color sequence is changeable by adding or removing up to 5 color modules even after installation.

NOTE: LED modules of the same color within a signal tower will light up simultaneously.

Wiring does not change

The LED module colors correspond to the wiring, so re-wiring is not necessary.



PATLITE® 25mm LED Signal Towers

Accessories

Accessories for 25mm Signal Towers			
Part Number	Price	Drawing Link	Description
B72100223-1F1		PDF	Red NPN LED module
B72100223-2F1		PDF	Amber NPN LED module
B72100115-3F1		PDF	Green NPN LED module
B72100115-4F1		PDF	Blue NPN LED module
B72100115-7F1		PDF	Clear/white NPN LED module
B72100226-1F1		PDF	Red PNP LED module
B72100226-2F1		PDF	Amber PNP LED module
B72100135-3F1		PDF	Green PNP LED module
B72100135-4F1		PDF	Blue PNP LED module
B72100135-7F1		PDF	Clear/white PNP LED module
S33552110-0346F1		N/A	1-tier center screw, zinc plated steel
S33552110-0376F1		N/A	2-tier center screw, zinc plated steel
S33552110-03108F1		N/A	3-tier center screw, zinc plated steel
S33552110-03138F1		N/A	4-tier center screw, zinc plated steel
B32310020-F1		PDF	25mm diameter cap, ABS plastic



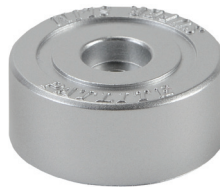
B72100223, B72100115



B72100226, B72100135



S33552110

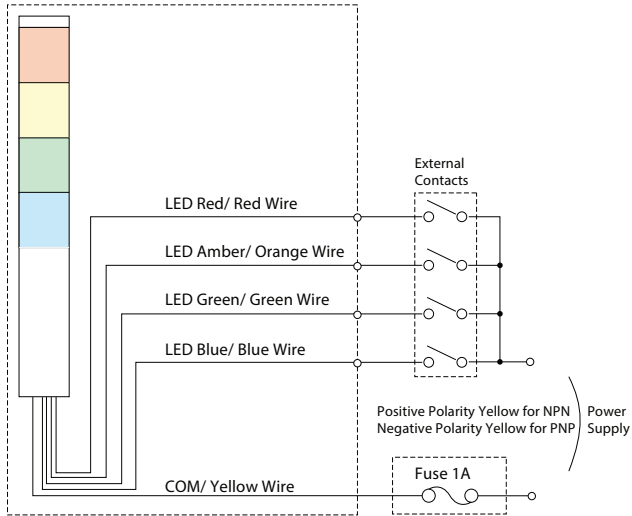


B32310020-F1

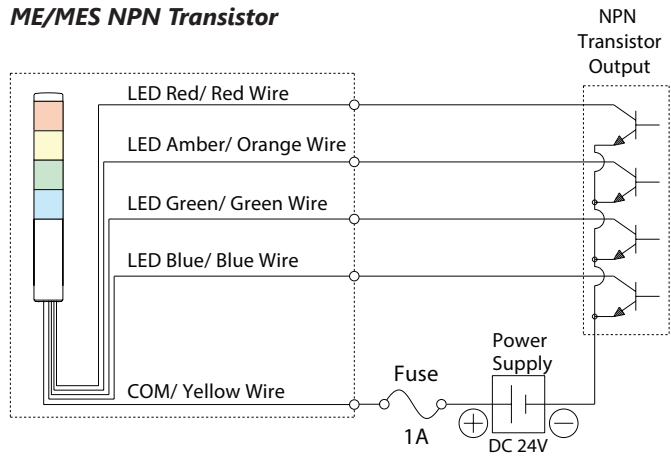
PATLITE® 25mm LED Signal Towers

Wiring

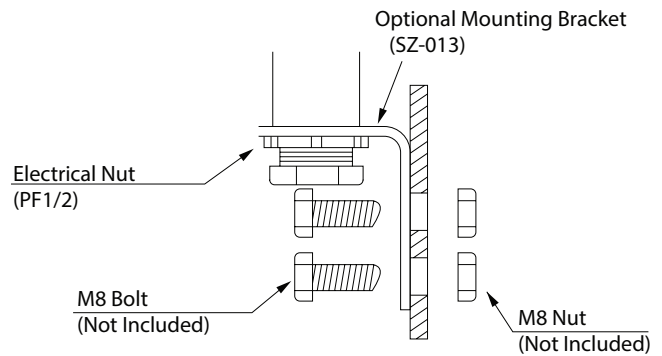
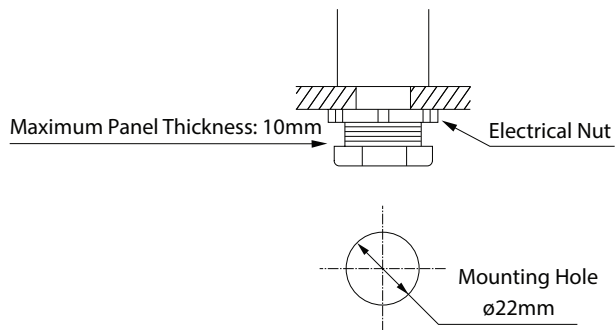
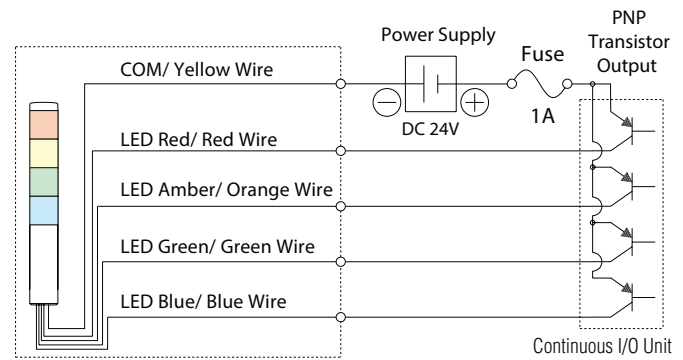
ME/MES Contact/Switch



ME/MES NPN Transistor



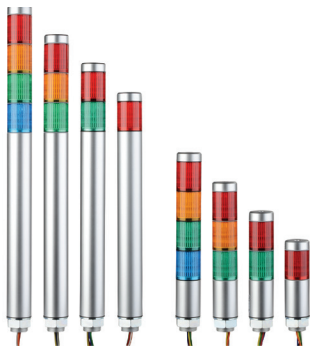
ME/MES PNP Transistor



PATLITE® Slim Design LED Signal Towers



MES-A and ME-A 25mm Super Slim Signal Towers
These rust-free aluminum body signal towers are designed to be direct mounted. LED module lenses are clear and change color when activated. The super slim design is ideal for tight spaces.



MPS and MP 30mm Signal Towers
These LED towers offer superior impact and heat resistance and have an ABS resin main body. They are designed for direct mounting and have a double insulation for enhanced durability and safety.



LCE and LR4 40mm Signal Towers
The LCE and LR4 Series both feature low maintenance and energy efficiency using LED technology.



LS7 70mm Signal Towers
The LS7 Series feature a smooth body surface that reduces adhesion of water and dust. There are no exposed screws, shafts or other metals making these signal towers adaptable in many environments. This model is suitable for high pressure and high temperature wash down environments. An available model with a buzzer has a sound frequency that cuts through loud environments.

Accessories

