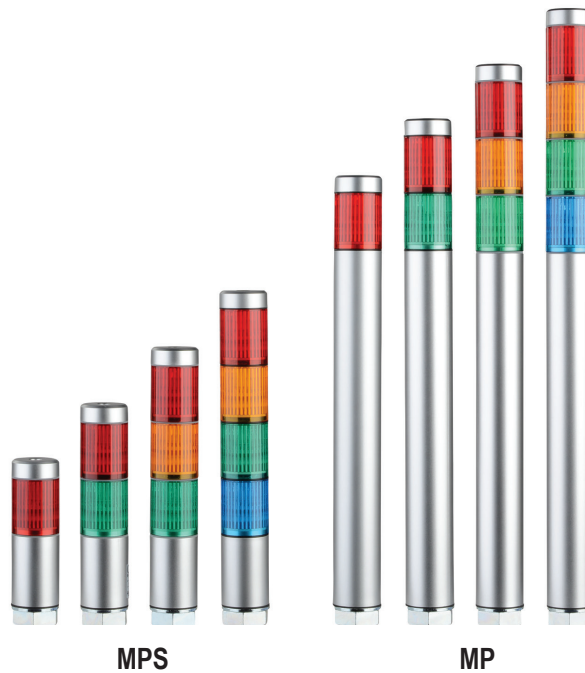


PATLITE® 30mm LED Signal Towers

Features

- Prism-cut lens design for enhanced visibility from any direction
- Double-insulated construction for enhanced durability and safety in the work environment.
- Direct mount installation with just a single hole.
- Interchangeable modules do not need re-wiring, even after installation
- Main body is constructed of superior impact and heat resistant ABS resin (not recommended for outdoor use).
- Lens is made of superior weather resistant and light translucent AS resin.
- Optional MP-B buzzer available. Please see accessories section for ordering information.
- UL recognized File No. E215660
- IP65 ingress protection rating



30mm LED Signal Towers Selection									
Part Number	Price	Drawing Link	Modules		Polarity	Light Function	Wiring	Body Style	Mounting
			#	LED					
MPS-102-R		PDF	1	red	-	NPN/PNP	1000mm pigtail	Short body	Direct mount installation
MPS-202-RG		PDF	2	red, green					
MPS-302-RYG		PDF	3	red, amber, green					
MPS-402-RYGB		PDF	4	red, amber, green, blue					
MPS-102-RZ		PDF	1	red	Clear lens				
MPS-202-RGZ		PDF	2	red, green					
MPS-302-RYGZ		PDF	3	red, amber, green					
MPS-402-RYGBZ		PDF	4	red, amber, green, blue					
MPS-102C-R		PDF	1	red	-	M12 Connector	Standard body		
MPS-202C-RG		PDF	2	red, green					
MPS-302C-RYG		PDF	3	red, amber, green					
MP-102-R		PDF	1	red	-	1180mm pigtail	Standard body		
MP-202-RG		PDF	2	red, green					
MP-302-RYG		PDF	3	red, amber, green					
MP-402-RYGB		PDF	4	red, amber, green, blue					
MP-102-RZ		PDF	1	red	Clear lens				
MP-202-RGZ		PDF	2	red, green					
MP-302-RYGZ		PDF	3	red, amber, green					
MP-402-RYGBZ		PDF	4	red, amber, green, blue					
MP-102C-R		PDF	1	red	-	M12 Connector	Standard body		
MP-202C-RG		PDF	2	red, green					
MP-302C-RYG		PDF	3	red, amber, green					

Note: Please see the accessories section of this section for optional and/or replacement components.
Colors in order from left to right.

PATLITE® 30mm LED Signal Towers

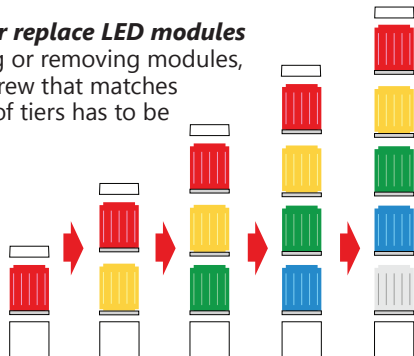
Specifications

30mm LED Signal Towers Technical Specifications							
# of Tiers	Part Number	Rated Voltage	Operating Voltage	Power Consumption	Weight g [oz]		
1	MPS-102-R	24V AC/DC	±10%	0.7 W	110 [3.88]		
	MPS-102-RZ						
	MPS-102C-R	24VDC					
	MP-102-R	24V AC/DC					
	MP-102-RZ						
	MP-102C-R	24VDC					
2	MPS-202-RG	24V AC/DC	±10%	1.4 W	130 [4.59]		
	MPS-202-RGZ						
	MPS-202C-RG	24VDC					
	MP-202-RG	24V AC/DC					
	MP-202-RGZ						
	MP-202C-RG	24VDC					
3	MPS-302-RYG	24V AC/DC	±10%	2.0 W	150 [5.29]		
	MPS-302-RYGZ						
	MPS-302C-RYG	24VDC					
	MP-302-RYG	24V AC/DC					
	MP-302-RYGZ						
	MP-302C-RYG	24VDC					
4	MPS-402-RYGB	24V AC/DC	±10%	2.6 W	170 [6.0]		
	MPS-402-RYGBZ						
	MP-402-RYGB						
	MP-402-RYGBZ						
Signal wire current (Rated Current Consumption)	LED Unit	Red			Amber	Green	Blue
	Typical	29.0 mA			29.5 mA	17.1 mA	17.1 mA
	Max	32.7 mA	34.5 mA	21.4 mA	21.4 mA		
Luminosity		550mcd	650mcd	1900mcd	700mcd		
Wire Size	22AWG						
Operating ambient temperature	-30 to +60°C [-22 to +140°F]						
Operating ambient humidity	Less than 90% (no condensation)						
Vibration resistance	19.6 m/s ² @ 30Hz						
Insulation resistance	More than 1MΩ at 500VDC between the terminals and the chassis						
Withstand voltage	500VAC applied for 1 min between terminals and chassis without breaking insulation						
Ingress protection rating	IP65 (IEC 60529)						
Conformity standards	UL 508, CSA-C22.2 No.14, RoHs Directive (EN 50581)						

To obtain the most current agency approval information, see the Agency Approval Checklist section on the specific part number's web page.

Easily add or replace LED modules

When adding or removing modules, the center screw that matches the number of tiers has to be purchased.



Interchangeable LED Modules

Color sequence is changeable by adding or removing up to 5 color modules even after installation.

NOTE: LED modules of the same color within a signal tower will light up simultaneously.

Wiring does not change

The LED module colors correspond to the wiring, so re-wiring is not necessary.



PATLITE® 30mm LED Signal Towers

Accessories

Accessories for Patlite® 30mm Signal Towers			
Part Number	Price	Drawing Link	Description
MP-B		PDF	80dB @ 1 meter / 3,000Hz add-on alarm; activated by red module
B72100182-1F1		PDF	Red LED module
B72100182-2F1		PDF	Amber LED module
B72100182-3F1		PDF	Green LED module
B72100182-4F1		PDF	Blue LED module
B72100182-7F1		PDF	Clear/white LED module
B72100192-1F1		PDF	Red LED module with clear lens
B72100192-2F1		PDF	Amber LED module with clear lens
B72100192-3F1		PDF	Green LED module with clear lens
B72100192-4F1		PDF	Blue LED module with clear lens
S33552120-0355F1		N/A	1-tier center screw, zinc plated steel
S33552120-0390F1		N/A	2-tier center screw, zinc plated steel
S33552120-03125F1		N/A	3-tier center screw, zinc plated steel
S33552120-03160F1		N/A	4-tier center screw, zinc plated steel
B25110032-F1		N/A	LED module o-ring, silicone
SZ-904		PDF	22mm to 3/4"FNPT adapter, aluminum
SZ-150		PDF	220mm extension pole, ABS plastic
B32310025-F1		PDF	30mm diameter cap, ABS plastic



MP-B



B72100xxx-xF1



SZ-150



SZ-904



S33552120-03xxxxx



B32310025-F1

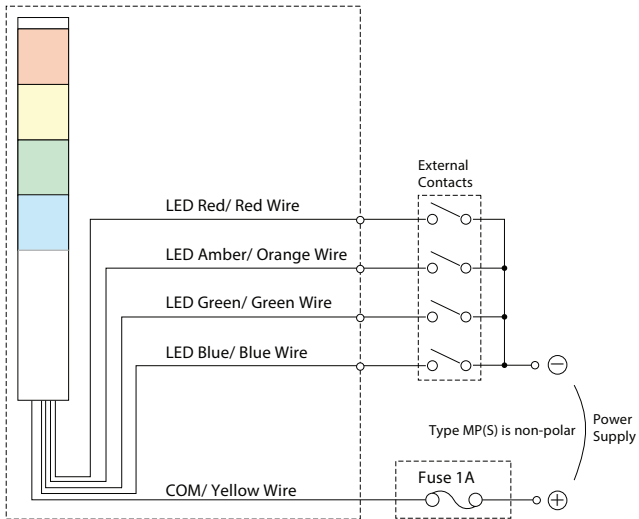


B25110032-F1

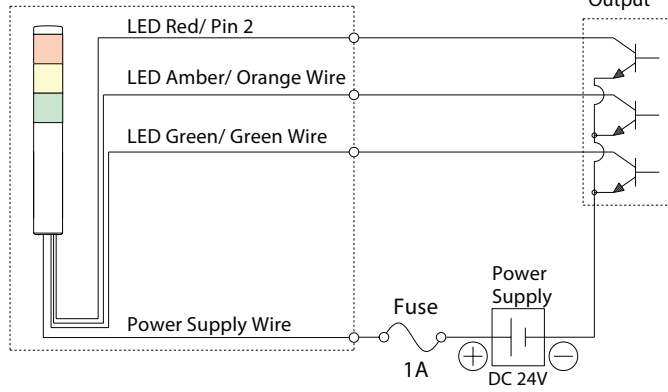
PATLITE® 30mm LED Signal Towers

Wiring

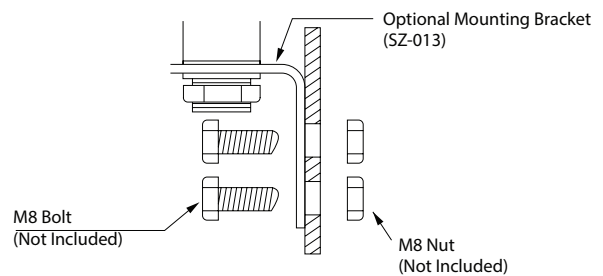
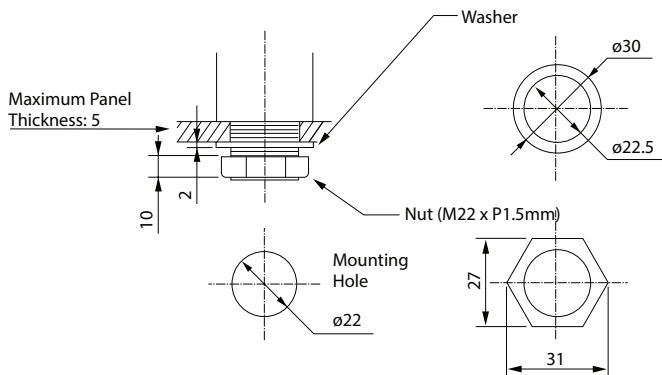
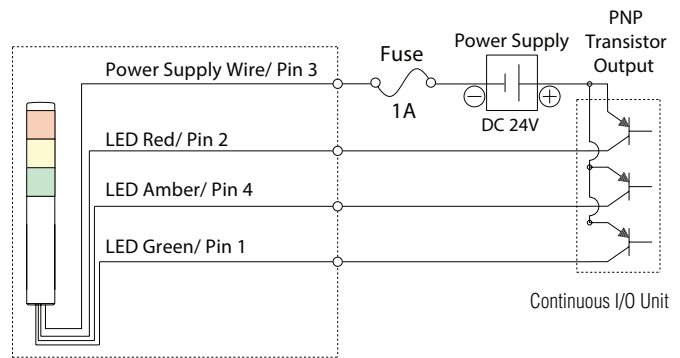
Contact/Switch



NPN M12 Connector



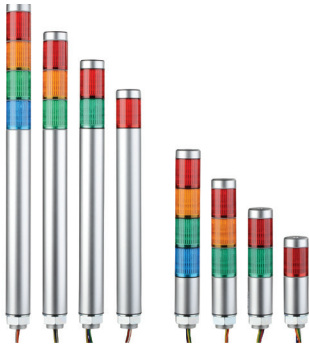
PNP M12 Connector



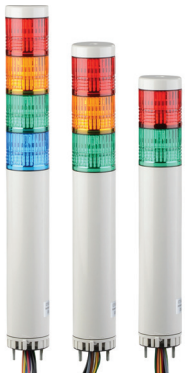
PATLITE® Slim Design LED Signal Towers



MES-A and ME-A 25mm Super Slim Signal Towers
These rust-free aluminum body signal towers are designed to be direct mounted. LED module lenses are clear and change color when activated. The super slim design is ideal for tight spaces.



MPS and MP 30mm Signal Towers
These LED towers offer superior impact and heat resistance and have an ABS resin main body. They are designed for direct mounting and have a double insulation for enhanced durability and safety.



LCE and LR4 40mm Signal Towers
The LCE and LR4 Series both feature low maintenance and energy efficiency using LED technology.



LS7 70mm Signal Towers
The LS7 Series feature a smooth body surface that reduces adhesion of water and dust. There are no exposed screws, shafts or other metals making these signal towers adaptable in many environments. This model is suitable for high pressure and high temperature wash down environments. An available model with a buzzer has a sound frequency that cuts through loud environments.

Accessories

