

PATLITE® LR4 40mm LED Signal Towers

Features

- Prism-cut lens design for enhanced visibility from any direction
- Optional alarm module with selectable sound patterns
- Adjustable volume with a maximum of 85dB (at 1m)
- Direct or pole mount installation
- Color-coordinated wiring corresponding to the lens color for quick wiring and verification
- Interchangeable LED modules require no re-wiring, even after installation
- Main body is constructed of superior impact and heat-resistant polycarbonate resin
- Lens is made of superior impact-resistant and light-translucent polycarbonate resin
- Conforms to the CE requirements
- UL Recognized Components (File No. E215660)
- NEMA Type 4X/13



| LR4 40mm LED Signal Towers Selection | | | | | | | |
|--------------------------------------|-------|---------------------|---------|-------------------------|--------------------------------|----------------|---------------------------------|
| Part Number | Price | Drawing Link | Modules | | Function | Wiring | Mounting |
| | | | # | LED | | | |
| LR4-202LJBW-RG | | PDF | 2 | red, green | Continuous, flashing, or alarm | 1000mm pigtail | 300mm pole mount with L bracket |
| LR4-2M2LJBW-RG | | PDF | | | | | |
| LR4-302LJBW-RYG | | PDF | 3 | red, amber, green | | | |
| LR4-3M2LJBW-RYG | | PDF | | | | | |
| LR4-402LJBW-RYGB | | PDF | 4 | red, amber, green, blue | | | |
| LR4-4M2LJBW-RYGB | | PDF | | | | | |
| LR4-202LJNW-RG | | PDF | 2 | red, green | Continuous only | 1300mm pigtail | Direct mount |
| LR4-2M2LJNW-RG | | PDF | | | | | |
| LR4-302LJNW-RYG | | PDF | 3 | red, amber, green | | | |
| LR4-3M2LJNW-RYG | | PDF | | | | | |
| LR4-402LJNW-RYGB | | PDF | 4 | red, amber, green, blue | | | |
| LR4-4M2LJNW-RYGB | | PDF | | | | | |
| LR4-202WJNW-RG | | PDF | 2 | red, green | Continuous only | 1300mm pigtail | Direct mount |
| LR4-2M2WJNW-RG | | PDF | | | | | |
| LR4-302WJNW-RYG | | PDF | 3 | red, amber, green | | | |
| LR4-3M2WJNW-RYG | | PDF | | | | | |
| LR4-402WJNW-RYGB | | PDF | 4 | red, amber, green, blue | | | |
| LR4-4M2WJNW-RYGB | | PDF | | | | | |
| LR4-202WJBW-RG | | PDF | 2 | red, green | Continuous, flashing, or alarm | 1300mm pigtail | Direct mount |
| LR4-2M2WJBW-RG | | PDF | | | | | |
| LR4-302WJBW-RYG | | PDF | 3 | red, amber, green | | | |
| LR4-3M2WJBW-RYG | | PDF | | | | | |
| LR4-402WJBW-RYGB | | PDF | 4 | red, amber, green, blue | | | |
| LR4-4M2WJBW-RYGB | | PDF | | | | | |

Note: Please see the accessories section of this section for optional and/or replacement components.

PATLITE® LR4 40mm LED Signal Towers

Specifications

| LR4 40mm LED Signal Towers Technical Specifications | | | | | |
|---|----------------------------------|--|-------------------|--------------------------------|---------------|
| # of Tiers | Part Number | Rated Voltage | Operating Voltage | Power Consumption (per module) | Weight g [oz] |
| 2 | LR4-202LJBW-RG | 24VDC | ±10% | Typical: 1W Maximum: 1.3W | 495 [17.5] |
| | LR4-202LJNW-RG | | | | 460 [16.2] |
| | LR4-202WJNW-RG | | | | 170 [6.0] |
| | LR4-202WJBW-RG | | | | 205 [7.2] |
| | LR4-2M2LJBW-RG | 100-240 VAC | 90-250 VAC | Typical: 1.5W Maximum: 1.8W | 575 [20.3] |
| | LR4-2M2LJNW-RG | | | | 540 [19.0] |
| | LR4-2M2WJNW-RG | | | | 250 [8.8] |
| | LR4-2M2WJBW-RG | | | | 285 [10.1] |
| 3 | LR4-302LJBW-RYG | 24VDC | ±10% | Typical: 1W Maximum: 1.3W | 495 [17.5] |
| | LR4-302LJNW-RYG | | | | 460 [16.2] |
| | LR4-302WJNW-RYG | | | | 170 [6.0] |
| | LR4-302WJBW-RYG | | | | 205 [7.2] |
| | LR4-3M2LJBW-RYG | 100-240 VAC | 90-250 VAC | Typical: 1.5W Maximum: 1.8W | 575 [20.3] |
| | LR4-3M2LJNW-RYG | | | | 540 [19.0] |
| | LR4-3M2WJNW-RYG | | | | 250 [8.8] |
| | LR4-3M2WJBW-RYG | | | | 285 [10.1] |
| 4 | LR4-402LJBW-RYGB | 24VDC | ±10% | Typical: 1W Maximum: 1.3W | 495 [17.5] |
| | LR4-402LJNW-RYGB | | | | 460 [16.2] |
| | LR4-402WJNW-RYGB | | | | 170 [6.0] |
| | LR4-402WJBW-RYGB | | | | 205 [7.2] |
| | LR4-4M2LJBW-RYGB | 100-240 VAC | 90-250 VAC | Typical: 1.5W Maximum: 1.8W | 575 [20.3] |
| | LR4-4M2LJNW-RYGB | | | | 540 [19.0] |
| | LR4-4M2WJNW-RYGB | | | | 250 [8.8] |
| | LR4-4M2WJBW-RYGB | | | | 285 [10.1] |
| Signal wire current (Rated Current Consumption) | | Typical | 40mA | | |
| | | Max | 45mA | | |
| Wire sizes | | AC: Signal wire 24AWG, power supply 18AWG DC: Signal wire 24AWG, power supply 24AWG | | | |
| Buzzer current/sound (FB models) | | Typical current 40mA, max current 300mA / sound level 85dB at 1000-4032 Hz (dependent on setting) | | | |
| Flashing | | 60±2 flashes per minute | | | |
| Operating ambient temperature | | -20°C to +50°C [-4°F to +122°F] | | | |
| Operating ambient humidity | | Less than 90% (no condensation) | | | |
| Vibration resistance | | 20 m/s ² @ 30Hz | | | |
| Insulation resistance | | More than 1MΩ at 500VDC between live part and non-current carrying metallic part | | | |
| Withstand voltage | | LR4: 500VAC applied for 1 min between live part and non-current carrying metallic part LR4-M2: 1500VAC applied for 1 min between live part and non-current carrying metallic part | | | |
| Ingress protection rating | | IP54 for pole-mounted models; IP65 for direct mount; and NEMA type 4x and 13 for both | | | |
| Conformity standards | | UL 508, CSA-C22.2 No.14, RoHs Directive (EN 50581) | | | |

To obtain the most current agency approval information, see the Agency Approval Checklist section on the specific part number's web page.

PATLITE® LR4 40mm LED Signal Towers

Tower Modules

| Modules for LR4 Tower Lights** | | | | | |
|--------------------------------|-------|---------------------|----------------------------------|----------------|---------------|
| Part Number | Price | Drawing Link | Description | Luminosity mcd | Weight g [oz] |
| LR4-E-R | | PDF | Red LED module with red lens | 2290 | 35 [1.23] |
| LR4-E-Y | | PDF | Amber LED module with amber lens | 5250 | |
| LR4-E-G | | PDF | Green LED module with green lens | 5430 | |
| LR4-E-B | | PDF | Blue LED module with blue lens | 1840 | |
| LR4-E-C | | PDF | White LED module with clear lens | 8230 | |
| LR4-E-RZ | | PDF | Red LED module with clear lens | 2290 | |
| LR4-E-YZ | | PDF | Amber LED module with clear lens | 5250 | |
| LR4-E-GZ | | PDF | Green LED module with clear lens | 5430 | |
| LR4-E-BZ | | PDF | Blue LED module with clear lens | 1840 | |
| LR4-BW | | PDF | 40mm Buzzer module*, Off-white | 8230 | |

* 85db at 1m, 4 selectable tones

** LR4 tower light modules are not compatible with LCE series lights.



LR4-E-R

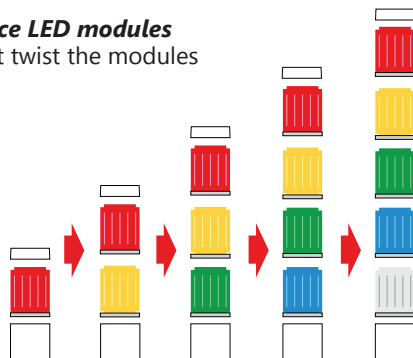


LR4-E-xZ



LR4-BW

Easily add or replace LED modules
No tool needed, just twist the modules together.



Interchangeable LED Modules

Color sequence is changeable by adding or removing up to 5 color modules even after installation.

NOTE: LED modules of the same color within a signal tower will light up simultaneously.

Wiring does not change

The LED module colors correspond to the wiring, so re-wiring is not necessary.



PATLITE® LR4 40mm LED Signal Towers

Accessories

| Accessories for LR4 Signal Towers* | | | |
|------------------------------------|-------|---------------------|--|
| Part Number | Price | Drawing Link | Description |
| B22210159-7F1 | | PDF | Pole adapter, 40mm diameter. Head tapping screws, O-ring, and waterproof O-ring included. Off-white. |
| B25110047-F1 | | N/A | Waterproof o-ring replacement, silicone. |
| B25110065-F1 | | N/A | O-ring replacement, nitrile rubber. |
| B32310070-7F1 | | N/A | Cap replacement, polycarbonate plastic, off-white. |
| LR4-02WJNW | | PDF | Body unit, 24VDC, 40mm diameter, direct mount. For use with 40mm terminal elements. |
| LR4-M2WJNW | | PDF | Body unit, 100-240 VAC, 40mm diameter, direct mount. For use with 40mm terminal elements. |
| POLE22-0100AN | | PDF | Mounting pole, 22mm diameter, 100mm length. For use with 40mm terminal elements. |
| POLE22-0100AT | | PDF | Threaded mounting pole, 22mm diameter, 100mm length, 22mm thread. For use with 40mm terminal elements. |
| POLE22-0300AN | | PDF | Mounting pole, 22mm diameter, 300mm length. For use with 40mm terminal elements. |
| POLE22-0300AT | | PDF | Threaded mounting pole, 22mm diameter, 300mm length, 22mm thread. For use with 40mm terminal elements. |
| POLE22-0500AN | | PDF | Mounting pole, 22mm diameter, 500mm length. For use with 40mm terminal elements. |
| POLE22-0500AT | | PDF | Threaded mounting pole, 22mm diameter, 500mm length, 22mm thread. For use with 40mm terminal elements. |
| POLE22-0800AN | | PDF | Mounting pole, 22mm diameter, 800mm length. For use with 40mm terminal elements. |
| POLE22-0800AT | | PDF | Threaded mounting pole, 22mm diameter, 800mm length, 22mm thread. For use with 40mm terminal elements. |
| POLE22-1000AN | | PDF | Mounting pole, 22mm diameter, 1000mm length. For use with 40mm terminal elements. |
| POLE22-1000AT | | PDF | Threaded mounting pole, 22mm diameter, 1000mm length, 22mm thread. For use with 40mm terminal elements. |
| SZK-001U | | PDF | Mounting bracket, side mount, aluminum, silver. For use with 40mm terminal elements. |



B22210159-7F1



B32310070-7F1

* LR4 tower light accessories are not compatible with LCE series lights.

Continued on next page



B25110065-F1



LR4-02WJNW



POLE22-0300AT



SZK-001U

PATLITE® LR4 40mm LED Signal Towers

Accessories, continued

| Accessories for LR4 Signal Towers * | | | |
|-------------------------------------|-------|---------------------|---|
| Part Number | Price | Drawing Link | Description |
| SZK-002W | | PDF | Mounting bracket, side mount, polycarbonate, off-white. For use with LR4 series direct mount. |
| SZL-001 | | PDF | L-shaped mounting bracket, side mount, steel, silver. For use with 40mm terminal elements. |
| SZP-001W | | PDF | Mounting bracket, 70mm, flange mount, polycarbonate, off-white. |
| SZP-002U | | PDF | Mounting bracket, 94mm flange mount, aluminum, silver. For use with 40mm terminal elements. |
| SZP-003W | | PDF | Mounting bracket, 60mm, flange mount, polycarbonate, off-white. |
| SZP-090U | | PDF | Threaded pole adapter, 40mm diameter, 1/2" FNPT thread, aluminum, silver. Three (3) steel screw-tapped nuts included. |
| SZQ-001W | | PDF | Foldaway base, polycarbonate, off-white. For use with LR4 series direct mount 40mm terminal elements. |



SZK-002W

* LR4 tower light accessories are not compatible with LCE series lights.



SZL-001



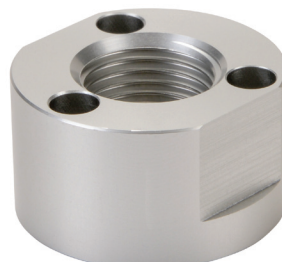
SZP-001W



SZP-002U



SZP-003W



SZP-090U

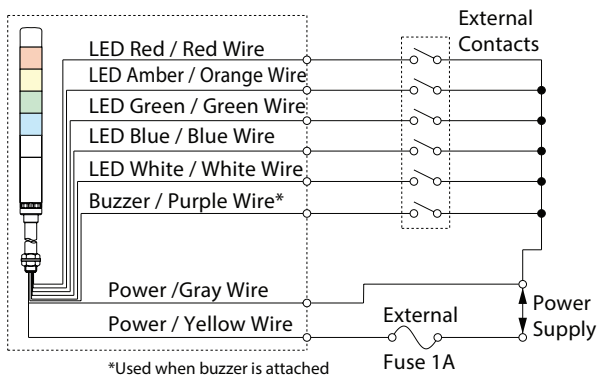


SZQ-001W

PATLITE® LR4 40mm LED Signal Towers

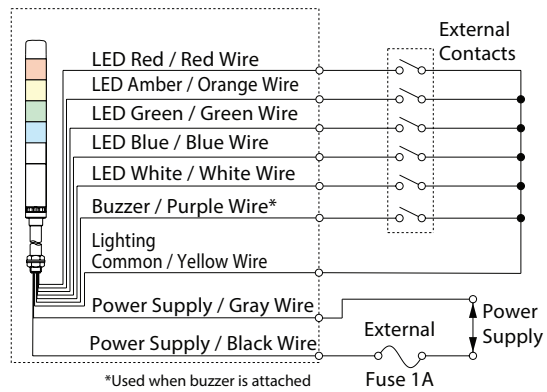
Wiring

24VDC Lighting Type



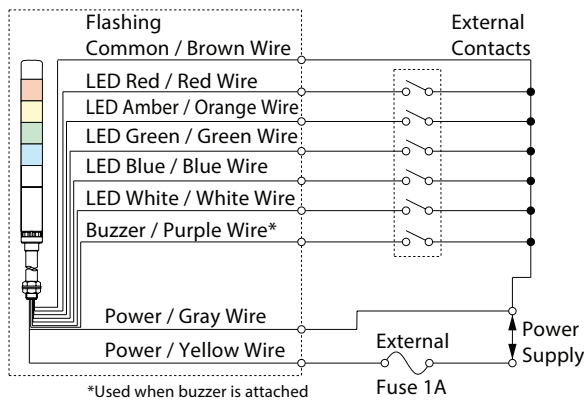
LR4 model non-polar

AC 100 - 240V Lighting Type



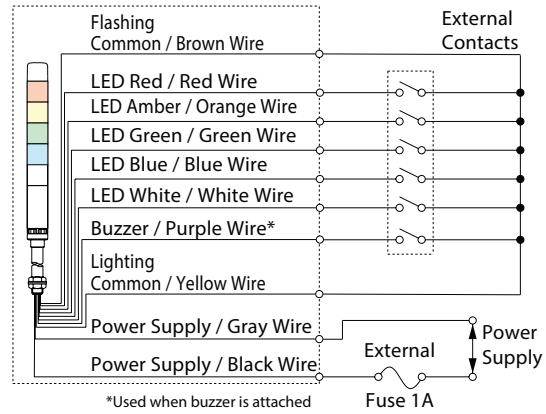
LR4 model non-polar

24VDC Flashing Type



LR4 model non-polar

AC 100 - 240V Flashing Type

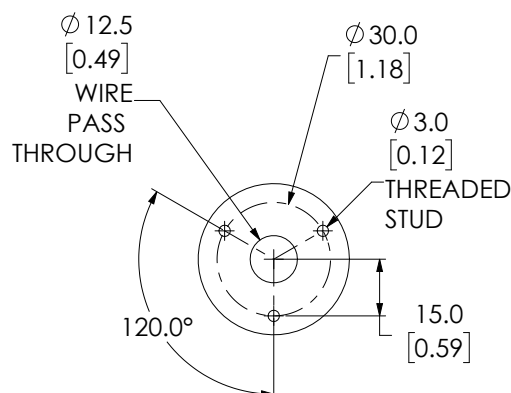


LR4 model non-polar

| Lead Wire Color Coordination | |
|------------------------------|-----------------|
| LED Unit Color | Lead Wire Color |
| Red | Red |
| Amber | Orange |
| Green | Green |
| Blue | Blue |
| Clear/white | White |
| Alarm Sounds | Lead Wire Color |
| Buzzer | Purple |

| Signal Line Voltage and Current per LED Module | | | | | |
|--|---------------|----------------|---------------------|---------------------|----------------|
| Model | Rated Voltage | Signal Voltage | LED | | |
| | | | Signal Line Current | Signal Line Current | Inrush Current |
| LR4 | 24V AC/DC | 24VDC | 40mA | 40mA | 700mA |
| LR4-M2 | 100-240 VAC | 24VDC | 40mA | 40mA | 700mA |

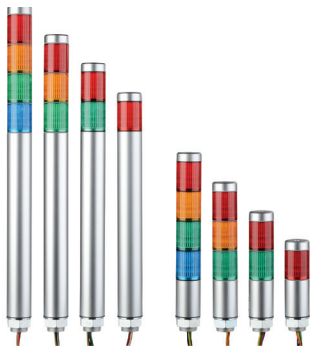
Mounting Pattern



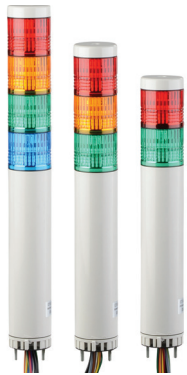
PATLITE® Slim Design LED Signal Towers



MES-A and ME-A 25mm Super Slim Signal Towers
These rust-free aluminum body signal towers are designed to be direct mounted. LED module lenses are clear and change color when activated. The super slim design is ideal for tight spaces.



MPS and MP 30mm Signal Towers
These LED towers offer superior impact and heat resistance and have an ABS resin main body. They are designed for direct mounting and have a double insulation for enhanced durability and safety.



LCE and LR4 40mm Signal Towers
The LCE and LR4 Series both feature low maintenance and energy efficiency using LED technology.



LS7 70mm Signal Towers
The LS7 Series feature a smooth body surface that reduces adhesion of water and dust. There are no exposed screws, shafts or other metals making these signal towers adaptable in many environments. This model is suitable for high pressure and high temperature wash down environments. An available model with a buzzer has a sound frequency that cuts through loud environments.

Accessories

