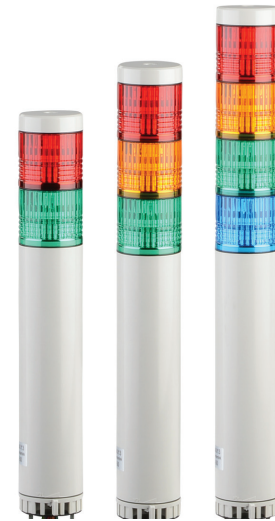


# PATLITE® LCE 40mm LED Signal Towers

## Features

- Prism-cut lens design for enhanced visibility from any direction
- Dual reflection system for enhanced light diffusion; creating bright, distinctive illumination while saving energy
- Two built-in alarms (FB model) with selectable sound patterns
- Adjustable volume with a maximum of 85dB (at 1m)
- Direct or pole mount installation
- Color-coordinated wiring corresponding to the lens color for quick wiring and verification
- Interchangeable LED modules requires no re-wiring, even after installation
- Main body is constructed of superior impact and heat resistant ABS resin.
- Lens is made of superior impact resistant and light translucent AS resin.
- Conforms to the CE requirements
- UL Recognized Components (File No. E215660).
- NEMA Type 4/4X/13 for -W, -FBW Only



LCE



Patlite® 40mm LED Signal Towers Selection							
Part Number	Price	Modules		Function	Wiring	Mounting	
		#	LED				
LCE-202-RG		2	red, green	Continuous light	1100mm pigtail	300mm pole mount	
LCE-2M2-RG					1050mm pigtail		
LCE-302-RYG		3	red, amber, green		1100mm pigtail		
LCE-3M2-RYG					1050mm pigtail		
LCE-402-RYGB		4	red, amber, green, blue		1100mm pigtail		
LCE-4M2-RYGB					1050mm pigtail		
LCE-202FB-RG		2	red, green	Flashing/ 2 alarms	1000mm pigtail		Direct mount
LCE-2M2FB-RG					950mm pigtail		
LCE-302FB-RYG		3	red, amber, green		1000mm pigtail		
LCE-3M2FB-RYG					950mm pigtail		
LCE-402FB-RYGB		4	red, amber, green, blue		1000mm pigtail		
LCE-4M2FB-RYGB					950mm pigtail		
LCE-202W-RG		2	red, green	Continuous light	1100mm pigtail	Direct mount	
LCE-2M2W-RG					1050mm pigtail		
LCE-302W-RYG		3	red, amber, green		1100mm pigtail		
LCE-3M2W-RYG					1050mm pigtail		
LCE-402W-RYGB		4	red, amber, green, blue		1100mm pigtail		
LCE-4M2W-RYGB					1050mm pigtail		
LCE-202FBW-RG		2	red, green	Flashing/ 2 alarms	1000mm pigtail		Direct mount
LCE-2M2FBW-RG					950mm pigtail		
LCE-302FBW-RYG		3	red, amber, green		1000mm pigtail		
LCE-3M2FBW-RYG					950mm pigtail		
LCE-402FBW-RYGB		4	red, amber, green, blue		1000mm pigtail		
LCE-4M2FBW-RYGB					950mm pigtail		

Note: Please see the accessories section of this section for optional and/or replacement components.

# PATLITE® LCE 40mm LED Signal Towers

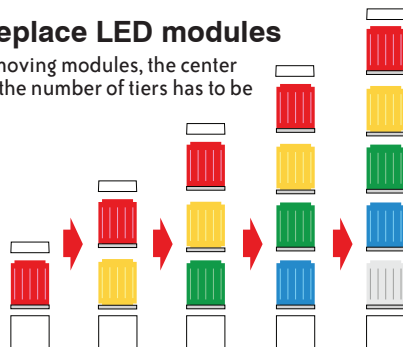
## Specifications

Patlite® 40mm Signal Towers Technical Specifications					
# of Tiers	Part Number	Rated Voltage	Operating Voltage	Power Consumption	Weight g [oz]
2	LCE-202-RG	24V AC/DC	±10%	2.4 W	550 [19.40]
	LCE-202FB-RG				610 [21.52]
	LCE-202W-RG				190 [6.70]
	LCE-202FBW-RG				250 [8.82]
	LCE-2M2-RG	90-250 VAC		630 [22.22]	
	LCE-2M2FB-RG			680 [23.99]	
	LCE-2M2W-RG			270 [9.52]	
	LCE-2M2FBW-RG			320 [11.29]	
3	LCE-302-RYG	24V AC/DC	±10%	3.0 W	580 [20.46]
	LCE-302FB-RYG				640 [22.58]
	LCE-302W-RYG				220 [7.76]
	LCE-302FBW-RYG				280 [9.88]
	LCE-3M2-RYG	90-250 VAC		660 [23.28]	
	LCE-3M2FB-RYG			710 [25.04]	
	LCE-3M2W-RYG			300 [10.58]	
	LCE-3M2FBW-RYG			350 [12.35]	
4	LCE-402-RYGB	24V AC/DC	±10%	3.6 W	610 [21.52]
	LCE-402FB-RYGB				670 [23.63]
	LCE-402W-RYGB				250 [8.82]
	LCE-402FBW-RYGB				310 [10.93]
	LCE-4M2-RYGB	90-250 VAC		690 [24.34]	
	LCE-4M2FB-RYGB			740 [26.10]	
	LCE-4M2W-RYGB			330 [11.64]	
	LCE-4M2FBW-RYGB			380 [13.40]	
<b>Signal wire current</b> (Rated Current Consumption)	<b>LED Unit</b>	<b>Red</b>	<b>Amber</b>	<b>Green</b>	<b>Blue</b>
	<b>Typical</b>	27.5 mA	27.2 mA	15.2 mA	15.2 mA
	<b>Max</b>	34.2 mA	35.9 mA	19.4 mA	19.4 mA
<b>Luminosity</b>		≥760mcd	≥830mcd	≥1800mcd	≥700mcd
<b>Wire sizes</b>	For 24V AC/DC models 22AWG; for 90-250 VAC models power wire 18AWG, lead wires 22AWG				
<b>Buzzer current/sound (FB models)</b>	Typical current 40mA, max current 50mA / sound level 85dB at 1M / 3190Hz				
<b>Flashing</b>	60 flashes per minute				
<b>Operating ambient temperature</b>	-30°C to +60°C [-22°F to +140°F]				
<b>Operating ambient humidity</b>	Less than 90% (no condensation)				
<b>Vibration resistance</b>	19.6 m/s <sup>2</sup> @ 30Hz				
<b>Insulation resistance</b>	More than 1MΩ at 500VDC between the terminals and the chassis				
<b>Withstand voltage</b>	500VAC applied for 1 min between terminals and chassis without breaking insulation				
<b>Ingress protection rating</b>	IP54 for pole mounted models; IP65 and UL type 4, 4x, and 13 for direct mount				
<b>Conformity standards</b>	UL 508, CSA-C22.2 No.14, RoHs Directive (EN 50581)				

To obtain the most current agency approval information, see the Agency Approval Checklist section on the specific part number's web page.

### Easily add or replace LED modules

When adding or removing modules, the center screw that matches the number of tiers has to be purchased.



### Interchangeable LED Modules

Color sequence is changeable by adding or removing up to 5 color modules even after installation.

NOTE: LED modules of the same color within a signal tower will light up simultaneously.

### Wiring does not change

The LED module colors correspond to the wiring, so re-wiring is not necessary.



# PATLITE® LCE 40mm LED Signal Towers

## Accessories

Accessories for Patlite® 40mm Signal Towers		
Part Number	Price	Description
<b>SZ-012</b>		L-bracket for 17mm pole
<b>SZ-021</b>		Side mount bracket for 17mm pole, ivory color
<b>SZ-80L</b>		300mm pole kit for LCE series with L-bracket
<b>B22220020-F1</b>		40mm diameter top mating bracket for 17mm pole, ivory color
<b>SZ-80NPT</b>		40mm to 1/2" FNPT adapter
<b>SZ-011</b>		94mm diameter aluminum flange mount bracket for 17mm pole
<b>SZ-903</b>		17mm to 1/2" FNPT adapter
<b>17POLE-1010</b>		1000mm chrome plated steel pole, 17mm diameter with L-bracket
<b>B72100126-1F1</b>		Red LED module
<b>B72100126-2F1</b>		Amber LED module
<b>B72100126-3F1</b>		Green LED module
<b>B72100126-4F1</b>		Blue LED module
<b>B72100126-7F1</b>		Clear/white LED module
<b>S33552120-0350F2</b>		1-tier center screw, zinc plated steel
<b>S33552120-0385F1</b>		2-tier center screw, zinc plated steel
<b>S33552120-03120F1</b>		3-tier center screw, zinc plated steel
<b>S33552120-03155F1</b>		4-tier center screw, zinc plated steel
<b>B32310029-F1</b>		40mm diameter cap, ABS plastic
<b>Z35721009-034F1</b>		O-ring, silicone

*Note: LCE series accessories are not compatible with LR4 series lights*



**SZ-012**



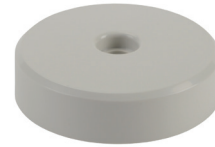
**B72100126-xF1**



**SZ-011**



**SZ-021**



**B32310029-F1**



**SZ-80NPT**



**S33552120-03xxx**



**Z35721009-034F1**



**17POLE-1010**



**SZ-80L**

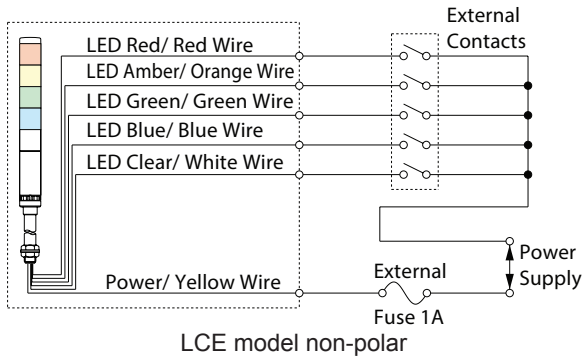


**B22220020-F1**

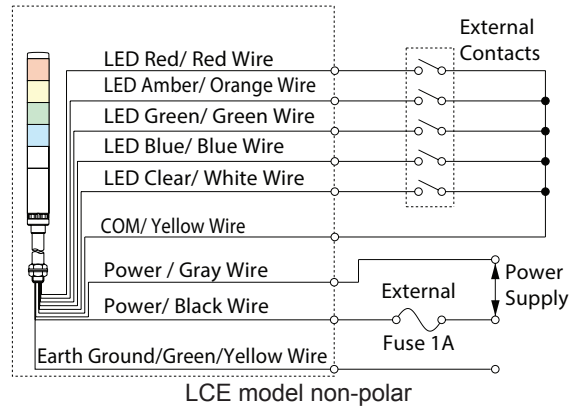
# PATLITE® LCE 40mm LED Signal Towers

## Wiring

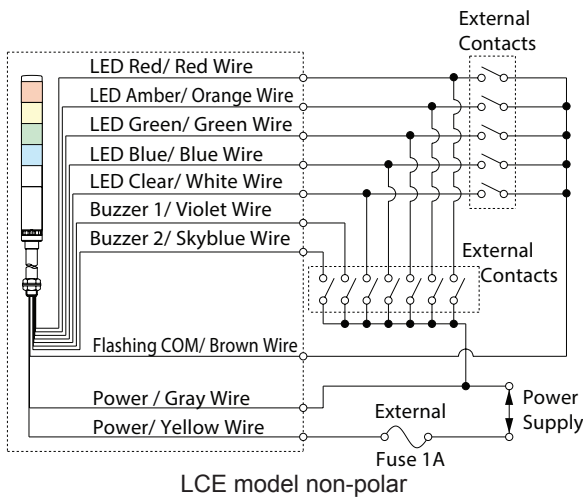
- AC/DC 24V Lighting Type



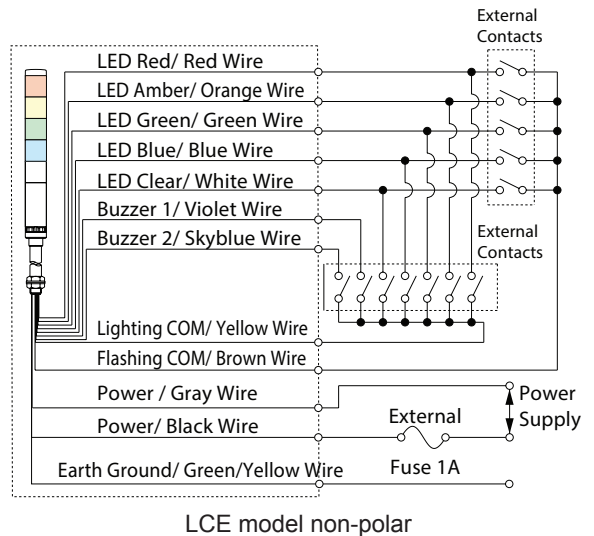
- AC 90 - 250V Lighting Type



- AC/DC 24V Lighting/Flashing Type



- AC 90 - 250V Lighting/Flashing Type

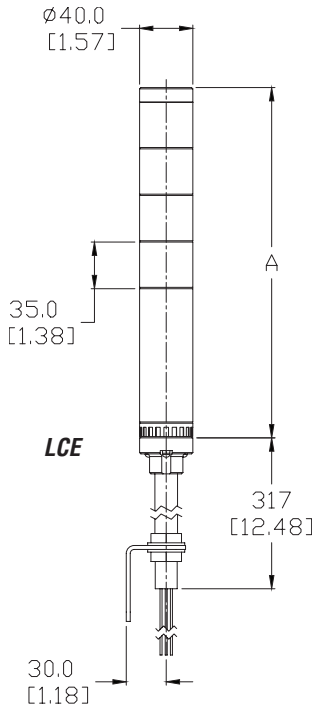


Lead Wire Color Coordination	
LED Unit Color	Lead Wire Color
Red	Red
Amber	Orange
Green	Green
Blue	Blue
Clear/white	White
Alarm Sounds	Lead Wire Color
Buzzer 1	Purple
Buzzer 2	Sky blue

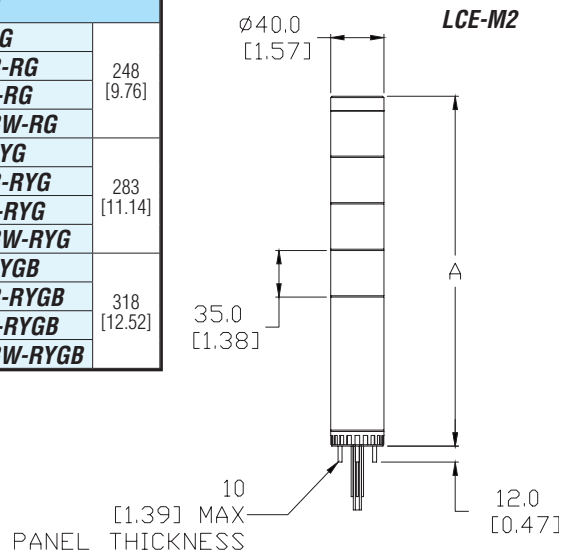
Signal Line Voltage and Current per LED Module						
Model	Rated Voltage	Signal Voltage	LED		Alarm	
			Signal Line Current		Signal Line Current	Inrush Current
			Red, Amber	Green, Blue		
LCE	24V AC/DC	24V AC/DC	30mA	25mA	40mA	250mA
LCE-M2	90-250 VAC	24VDC	30mA	25mA	40mA	250mA

# PATLITE® LCE 40mm LED Signal Towers

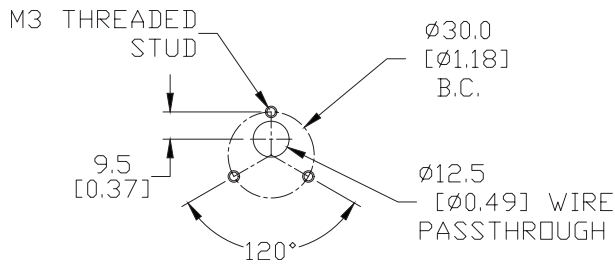
Dimensions mm [in]



A Dimensions – mm [in]			
LCE-202-RG	193 [7.60]	LCE-2M2-RG	248 [9.76]
LCE-202FB-RG		LCE-2M2FB-RG	
LCE-202W-RG		LCE-2M2W-RG	
LCE-202FBW-RG	228 [8.98]	LCE-2M2FBW-RG	283 [11.14]
LCE-302-RYG		LCE-3M2-RYG	
LCE-302FB-RYG		LCE-3M2FB-RYG	
LCE-302W-RYG	263 [10.35]	LCE-3M2W-RYG	318 [12.52]
LCE-302FBW-RYG		LCE-3M2FBW-RYG	
LCE-402-RYGB		LCE-4M2-RYGB	
LCE-402FB-RYGB	263 [10.35]	LCE-4M2FB-RYGB	318 [12.52]
LCE-402W-RYGB		LCE-4M2W-RYGB	
LCE-402FBW-RYGB		LCE-4M2FBW-RYGB	



### Mounting Pattern



See our website: for complete engineering drawings.

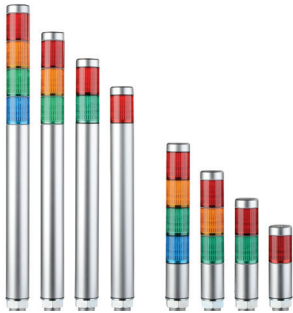
# Slim Design LED Signal Towers

# **PATLITE®**



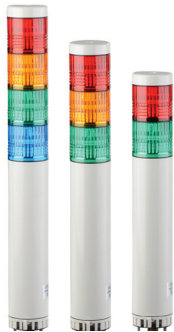
## **MES-A and ME-A 25mm Super Slim Signal Towers**

These rust-free aluminum body signal towers are designed to be direct mounted. LED module lenses are clear and change color when activated. The super slim design is ideal for tight spaces.



## **MPS and MP 30mm Signal Towers**

These LED towers offer superior impact and heat resistance and have an ABS resin main body. They are designed for direct mounting and have a double insulation for enhanced durability and safety.



## **LCE and LR4 40mm Signal Towers**

The LCE and LR4 Series both feature low maintenance and energy efficiency using LED technology.



## **LS7 70mm Signal Towers**

The LS7 Series feature a smooth body surface that reduces adhesion of water and dust. There are no exposed screws, shafts or other metals making these signal towers adaptable in many environments. This model is suitable for high pressure and high temperature wash down environments. An available model with a buzzer has a sound frequency that cuts through loud environments.

