

PATLITE® 70mm LED Signal Towers

Features

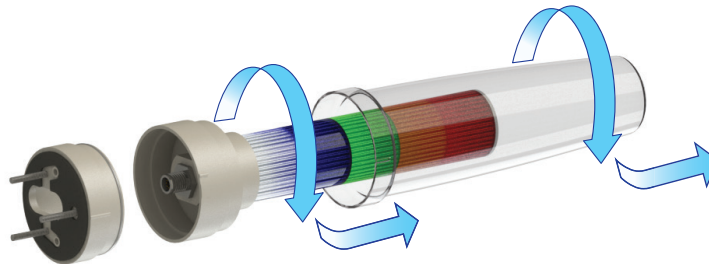
- Smooth surfaced body
- Stackable design
- Shock-resistant polycarbonate body
- M12 connector quick disconnect
- Inner lens LED emits a more efficient light
- IP65 (buzzer models IP54; WC9 models IP69k)



LS7

70mm LED Signal Towers Selection							
Part Number	Price	Drawing Link	Lights		Body Color	Buzzer	Wiring
			#	Color			
LS7-302DWC-RYGNN		PDF	3	red, amber, green	Dark gray	-	M12 Connector
LS7-502DWC-RYGBC		PDF	5	red, amber, green, blue, white		-	
LS7-302DBWC-RYGNN		PDF	3	red, amber, green	Yes		
LS7-502DBWC-RYGBC		PDF	5	red, amber, green, blue, white			
LS7-302WC-RYGNN		PDF	3	red, amber, green	Off-white	-	
LS7-502WC-RYGBC		PDF	5	red, amber, green, blue, white		-	
LS7-302BWC-RYGNN		PDF	3	red, amber, green	Yes		
LS7-502BWC-RYGBC		PDF	5	red, amber, green, blue, white			
LS7-302DWC9-RYGNN		PDF	3	red, amber, green	Dark gray	-	
LS7-502DWC9-RYGBC		PDF	5	red, amber, green, blue, white		-	
LS7-302DBWC9-RYGNN		PDF	3	red, amber, green	Yes		
LS7-502DBWC9-RYGBC		PDF	5	red, amber, green, blue, white			
LS7-302WC9-RYGNN		PDF	3	red, amber, green	Off-white	-	
LS7-502WC9-RYGBC		PDF	5	red, amber, green, blue, white		-	
LS7-302BWC9-RYGNN		PDF	3	red, amber, green	Yes		
LS7-502BWC9-RYGBC		PDF	5	red, amber, green, blue, white			

Note: Please see the accessories section of this section for optional and/or replacement components.



Stackable construction, M12 quick disconnect

PATLITE® 70mm LED Signal Towers

Specifications

70mm LED Signal Towers Technical Specifications							
# of Tiers	Part Number	Rated Voltage	Maximum Sound Pressure	Body Color	Type	Weight g [oz]	
3	LS7-302DWC-RYGNN	24VDC (±10%)	-	Dark gray	-	234 [8.25]	
	Off-white						
	LS7-302WC-RYGNN			Dark gray	High temperature, high pressure, wash down safe		
	LS7-302DWC9-RYGNN			Off-white			
	LS7-302WC9-RYGNN			Dark gray	-		288 [10.16]
	LS7-302DBWC-RYGNN			Off-white			
	LS7-302BWC-RYGNN			Dark gray	High temperature, high pressure, wash down safe		
	LS7-302BWC9-RYGNN			Off-white			
5	LS7-502DWC-RYGBC	24VDC (±10%)	-	Dark gray	-	286 [10.09]	
	Off-white						
	LS7-502WC-RYGBC			Dark gray	High temperature, high pressure, wash down safe		
	LS7-502DWC9-RYGBC			Off-white			
	LS7-502DBWC-RYGBC			Dark gray	-		352 [12.42]
	LS7-502BWC-RYGBC			Off-white			
	LS7-502DBWC9-RYGBC			Dark gray	High temperature, high pressure, wash down safe		
	LS7-502BWC9-RYGBC			Off-white			
Signal wire current (Rated Current Consumption)	LED Unit	Red	Amber	Green	Blue	White	
	Typical	20mA	30mA				
	Max	35mA	40mA				
Luminosity		>490mcd	>1140mcd	>940mcd	>195mcd	>1000mcd	
Buzzer Current Draw		40mA					
Operating ambient temperature		-30°C to +60°C [-22°F to +140°F]					
Operating ambient humidity		Less than 90% (no condensation)					
Vibration resistance		19.6 m/s ² @ 30Hz					
Insulation resistance		More than 1MΩ at 500VDC between the terminals and the chassis					
Withstand voltage		500VAC applied for 1 min between terminals and chassis without breaking insulation					
Mass (tolerance ±10%)	3 Tiers	0.26 kg [0.57 lb]					
	5 Tiers	0.37 kg [0.82 lb]					
Ingress protection rating		Continuous illumination models: IP65 / Buzzer models: IP54 /WC9 models: IP69k					
Conformity standards		UL 508, CSA-C22.2 No.14, RoHs Directive (EN 50581)					

To obtain the most current agency approval information, see the Agency Approval Checklist section on the specific part number's web page.

PATLITE® 70mm LED Signal Towers

Accessories

Accessories for Patlite® 70mm Signal Towers			
Part Number	Price	Drawing Link	Description
<u>SZ-100D</u>		<u>PDF</u>	150mm tall pedestal, dark gray
<u>SZ-110D</u>		<u>PDF</u>	Wall mount bracket, dark gray
<u>SZ-130D</u>		<u>PDF</u>	3-hole to 4-hole mounting adapter, dark gray
<u>SZ-100</u>		<u>PDF</u>	150mm tall pedestal, off-white
<u>SZ-110</u>		<u>PDF</u>	Wall mount bracket, off-white
<u>SZ-130</u>		<u>PDF</u>	3-hole to 4-hole mounting adapter, off-white
<u>B45110011-F1</u>		<u>PDF</u>	Outer cover, polycarbonate
<u>Z35721039-F1</u>		N/A	O-ring for outer cover, silicone
<u>Z35721038-056F1</u>		N/A	O-ring for base, silicone



SZ-100D



SZ-100



SZ-110D



SZ-110



SZ-130D



SZ-130



Z35721039-F1

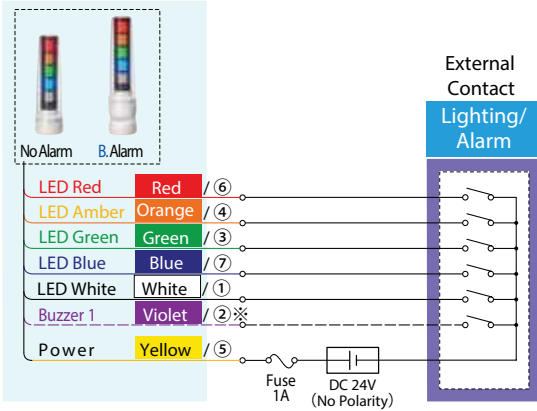


Z35721038-056F1

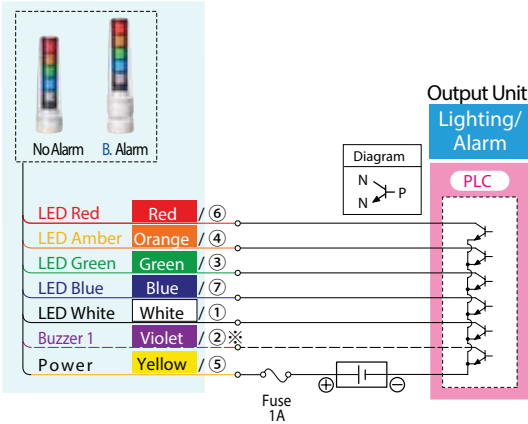
PATLITE® 70mm LED Signal Towers

Wiring

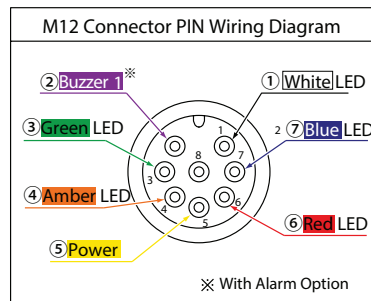
Contact Relay



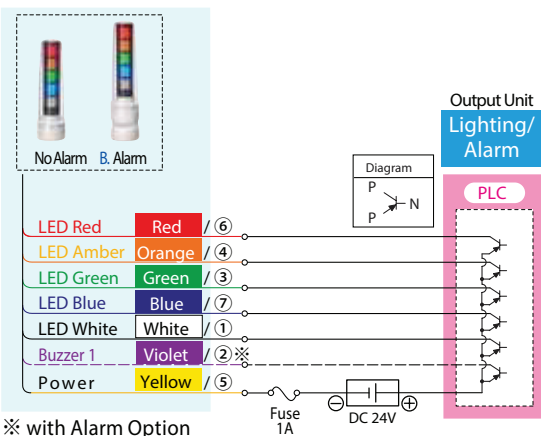
PLC (NPN Transistor)



LED colors associated with pin numbers

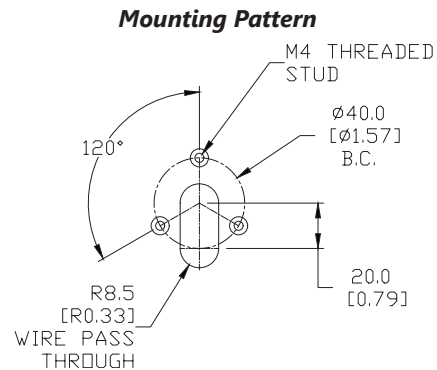


PLC (PNP Transistor)



※ with Alarm Option

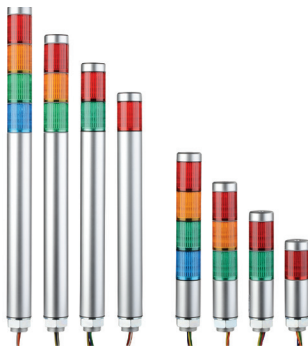
LED colors associated with pin numbers



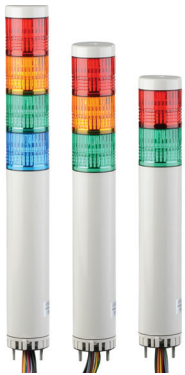
PATLITE® Slim Design LED Signal Towers



MES-A and ME-A 25mm Super Slim Signal Towers
 These rust-free aluminum body signal towers are designed to be direct mounted. LED module lenses are clear and change color when activated. The super slim design is ideal for tight spaces.



MPS and MP 30mm Signal Towers
 These LED towers offer superior impact and heat resistance and have an ABS resin main body. They are designed for direct mounting and have a double insulation for enhanced durability and safety.



LCE and LR4 40mm Signal Towers
 The LCE and LR4 Series both feature low maintenance and energy efficiency using LED technology.



LS7 70mm Signal Towers
 The LS7 Series feature a smooth body surface that reduces adhesion of water and dust. There are no exposed screws, shafts or other metals making these signal towers adaptable in many environments. This model is suitable for high pressure and high temperature wash down environments. An available model with a buzzer has a sound frequency that cuts through loud environments.

Accessories

