

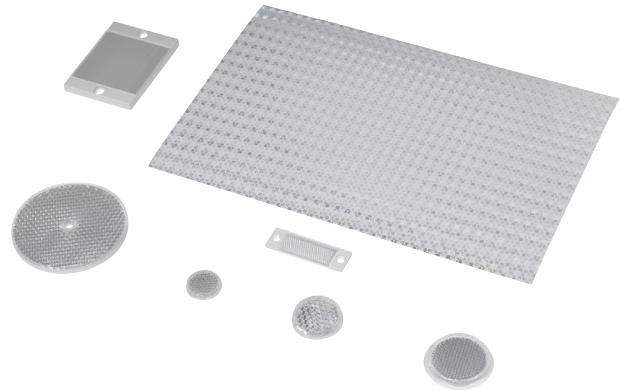
# Reflectors

## RL series reflectors for polarized reflective photoelectric sensors (all models)

- Suitable for use with polarized light photoelectric sensors
- Shapes and sizes for most applications
- Miniature types for close mounting in multiple sensor installations
- Single hole, dual hole and self-adhesive mounting types available
- Single and 10-packs available

### Installation notes

- Keep the reflector surface clean to ensure peak detection performance. This is especially true when the maximum sensing range is being used. Clean using a damp cloth.
- When selecting a reflector, it is important to consider the ambient conditions it will be exposed to. Dusty or high humidity conditions may reduce the sensing range as much as 90%.
- Reflectors should be positioned at a 90° angle to the optical axis with a tolerance of ±15°.



Specifications							
Model	Price	Quantity	Dimensions	Degree of Protection	Mounting	Materials	
<b>RL102</b>		<b>10 per pack</b>	Ø25mm [0.98 in]	IEC IP67	Customer-supplied adhesive or other mounting method required	Reflective face: PMMA Polymethylmethacrylate (acrylic); base material: ABS (Acrylonitrile-butadiene-styren)	
<b>RL102-1</b>		<b>1 per pack</b>					
<b>RL103</b>		<b>10 per pack</b>	Ø34.5mm [1.36 in]				
<b>RL103-1</b>		<b>1 per pack</b>					
<b>RL104</b>		<b>10 per pack</b>	Ø46mm [Ø1.81 in]				two Ø4.3 mm holes
<b>RL104-1</b>		<b>1 per pack</b>					
<b>RL105</b>		<b>10 per pack</b>	90 x 40mm [3.54 x 1.58 in]		two Ø6 mm holes		
<b>RL105-1</b>		<b>1 per pack</b>					
<b>RL106G</b>		<b>10 per pack</b>	182 x 42mm [7.17 x 1.65 in]		one Ø5 mm hole		
<b>RL106G-1</b>		<b>1 per pack</b>					
<b>RL110</b>		<b>10 per pack</b>	Ø84mm [3.31 in]		two M3 holes		
<b>RL110-1</b>		<b>1 per pack</b>					
<b>RL116</b>		<b>10 per pack</b>	41 x 60mm [3.54 x 2.36 in]		Self-adhesive		
<b>RL116-1</b>		<b>1 per pack</b>					
<b>RL100DA4</b>		<b>1 per pack</b>	200 x 300mm [7.87 x 11.81 in]	Paper (Acrylic tape with micro prism)			
<b>RL100DC4</b>		<b>1 per pack</b>	50 x 300mm [1.97 x 11.81 in]				
<b>RL100DQ1</b>		<b>1 per pack</b>	100 x 100mm [3.94 x 3.94 in]	two M3 slots			
<b>RL111G</b>		<b>10 per pack</b>	22.5 x 47mm [0.89 x 21.85 in]				
<b>RL111G-1</b>		<b>1 per pack</b>					
<b>RL112G</b>		<b>10 per pack</b>	19 x 73mm [0.75 x 2.87 in]	two M4 slots			
<b>RL112G-1</b>		<b>1 per pack</b>					
<b>RL113G</b>		<b>10 per pack</b>	51.4 x 60.3mm [2.02 x 2.37 in]				
<b>RL113G-1</b>		<b>1 per pack</b>					

*Not recommended for applications involving moist air environments or water immersion.*

# Reflectors

## RL series reflectors for polarized reflective laser photoelectric sensors (FALN series)

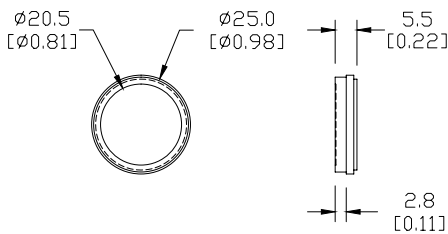
- Suitable for use with polarized light laser photoelectric sensors
- Sizes for most applications
- Miniature types for close mounting in multiple sensor installations
- Single and 5-packs available

Specifications						
<b>Model</b>	<b>RL201</b>	<b>RL201-1</b>	<b>RL203</b>	<b>RL203-1</b>	<b>RL204</b>	<b>RL204-1</b>
<b>Price</b>						
<b>Quantity (per package)</b>	5	1	5	1	5	1
<b>Dimensions</b>	60mm x 82mm 2.36 in x 3.23 in		19mm x 60mm 0.75 in x 2.36 in		20mm x 32mm 0.80 in x 1.26 in	
<b>Degree of Protection</b> <sup>1</sup>	IEC IP67					
<b>Mounting</b>	two Ø 0.4 mm holes		two Ø 0.4 mm holes		two Ø 0.3 mm holes	
<b>Materials</b>	Acrylic/polycarbonate					
<b>1 Not recommended for applications involving moist air environments or water immersion.</b>						

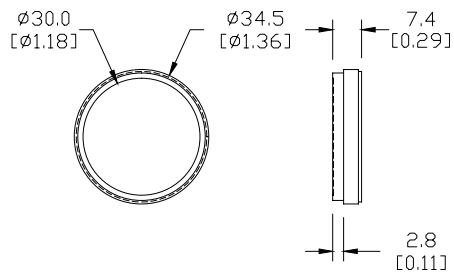
## Dimensions

mm [inches]

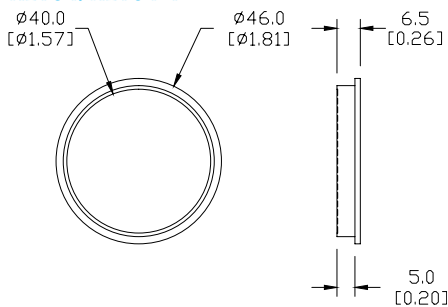
### RL102/RL102-1



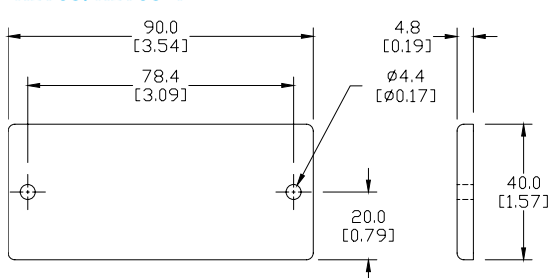
### RL103/RL103-1



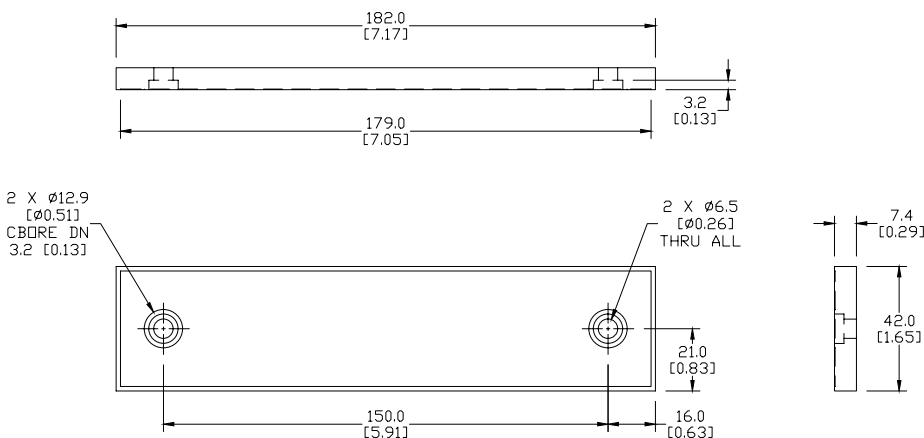
### RL104/RL104-1



### RL105/RL105-1



### RL106G/RL106G-1

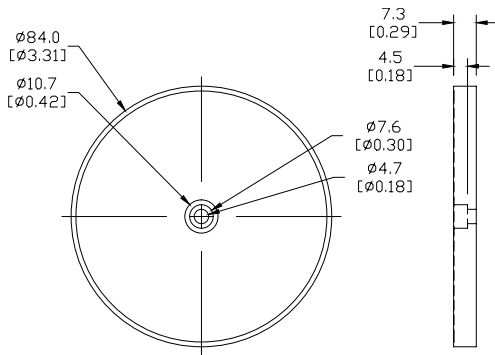


# Reflectors

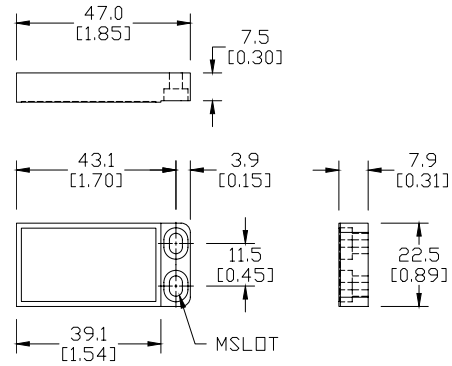
## Dimensions

mm [inches]

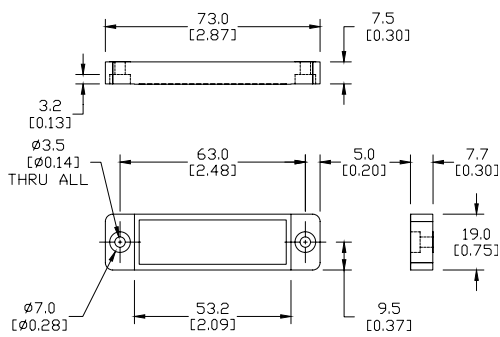
### RL110/RL110-1



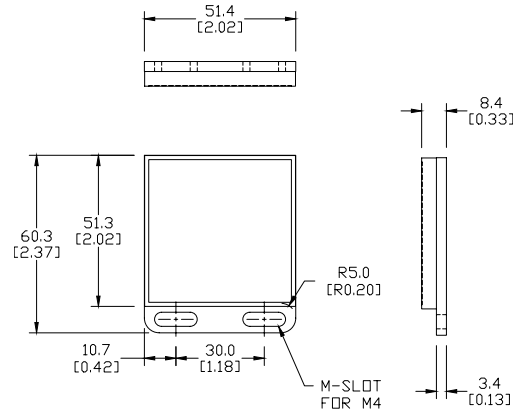
### RL111G/RL111G-1



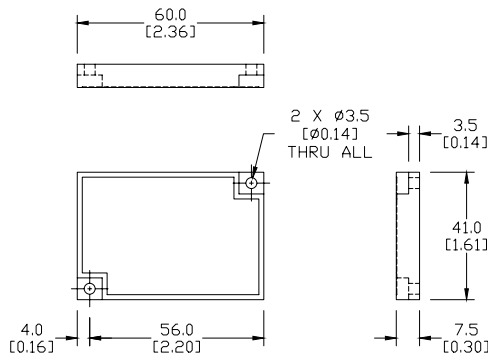
### RL112G/RL112G-1



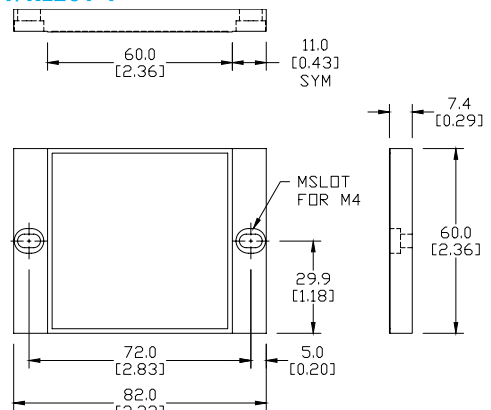
### RL113G/RL113G-1



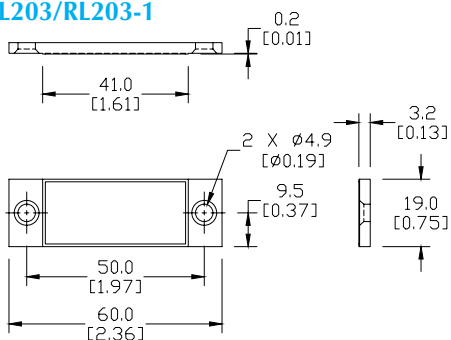
### RL116/RL116-1



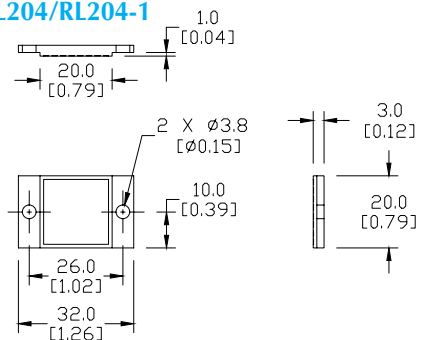
### RL201/RL201-1



### RL203/RL203-1



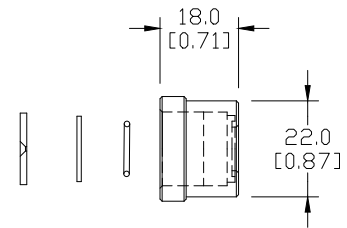
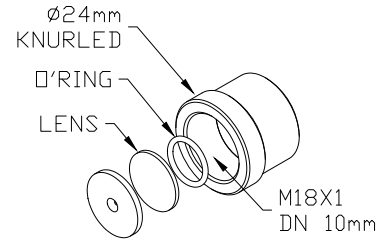
### RL204/RL204-1



# Shutters and Adapters

## ST0S1 through ST0S8 shutters for M18 (18 mm) through-beam sensors (SSE / SSR)

- Reduces the emitted beam, allowing the detection of small targets
- Shutter consists of an aluminum cap and aperture with an o-ring and glass lens, which can screw onto the optical head of either the emitter or receiver

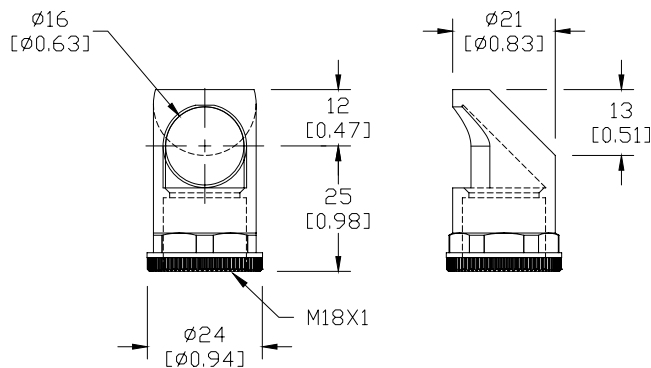


Sensing Distance (when used with SSE / SSR Model photoelectric switches)					
Model	ST0S1	ST0S2	ST0S4	ST0S6	ST0S8
Price					
Ø x shutter (mm)	1	2	4	6	8
Distance (m) object (mm)	N/A	N/A	1.5	3.5	6.5
	N/A	N/A	2	3	4

**Table shows sensing distance and minimal detectable object.**

## ST03 right-angle M18 (18 mm) beam adapter

Beam Adapters		
Part Number	Price	Description
ST03		For use with M18 retroreflective and through-beam photoelectric switches (not for use with diffuse reflection sensors). Allows 90° light detection using an internal mirror set at 45° to the optical axis. Sensitivity loss is about 20-30%.



# Accessories: Mounting Brackets

## ST12A axial bracket

For mounting M12 (12mm) sensors. Has two mounting holes (use 3mm screws) and allows the rotation of an optical axis for right-beam angle adapter sensors.



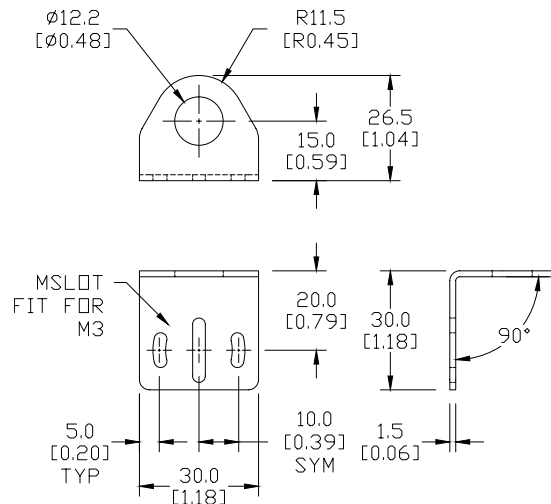
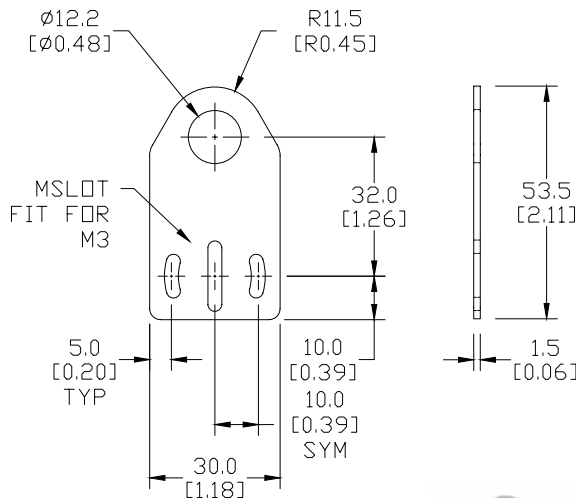
## ST12C right-angle bracket

Angular mounting bracket for use with M12 (12mm) sensors. Has two mounting holes (use 3mm screws) and allows the rotation of an optical axis for axial sensors.



Brackets		
Part Number	Price	Description
ST12A		Metal axial bracket for 12mm sensors, 1/pk
ST12A7W		316L stainless steel axial bracket for 12mm sensors, 1/pk

Brackets		
Part Number	Price	Description
ST12C		Metal right angle bracket for 12mm sensors, 1/pk
ST12C7W		316L stainless steel right angle bracket for 12mm sensors, 1/pk



## ST18A axial bracket

Mounting bracket for M18 (18mm) sensors. Has two mounting holes (use 4mm screws) and allows the rotation of an optical axis for right-beam angle adapter sensors.



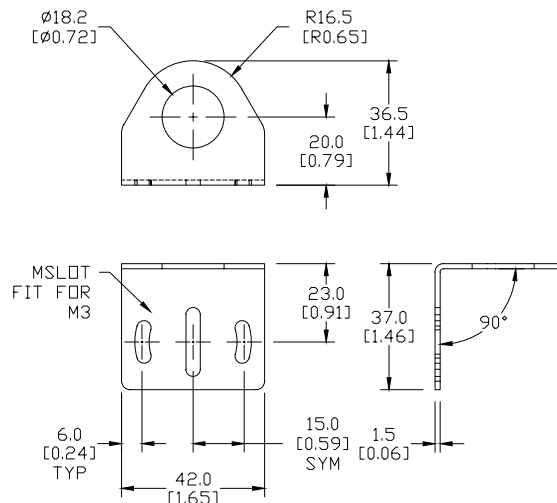
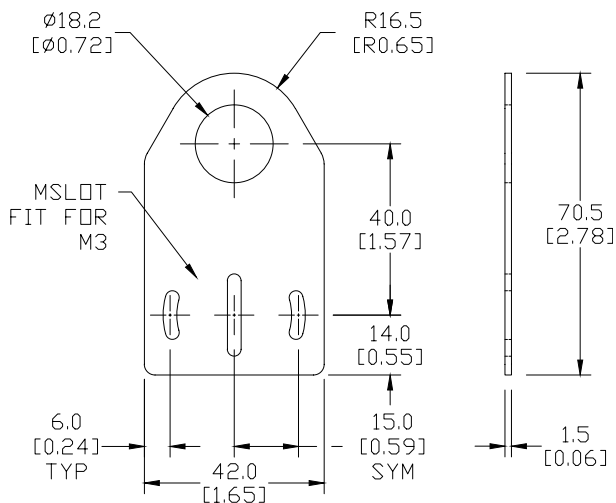
## ST18C right-angle bracket

Angular mounting bracket for M18 (18mm) sensors. Has two mounting holes (use 4mm screws) and allows the rotation of an optical axis for axial sensors.



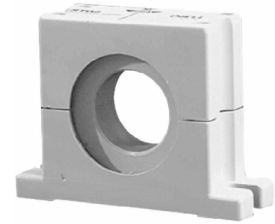
Brackets		
Part Number	Price	Description
ST18A		Metal axial bracket for 18mm sensors, 1/pk
ST18A7W		316L stainless steel axial bracket for 18mm sensors, 1/pk

Brackets		
Part Number	Price	Description
ST18C		Metal right angle bracket for 18mm sensors, 1/pk
ST18C7W		316L stainless steel right angle bracket for 18mm sensors, 1/pk



# Accessories: Mounting Brackets

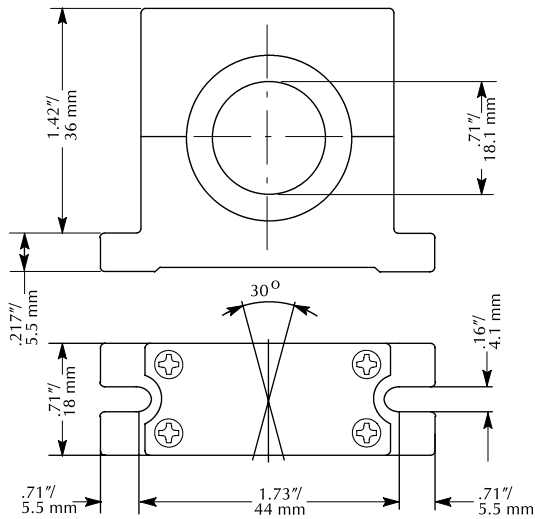
## ST02 plastic swivel bracket M18 (18 mm)



Brackets		
Part Number	Price	Description
ST02		Plastic mounting bracket for use with M18 photoelectric switches. Has a ball-joint and set screws to adjust sensor orientation. Allows orientation in all directions for retroreflective and through-beam sensors. (Will not work with C18 series).

## Dimensions

inches [mm]



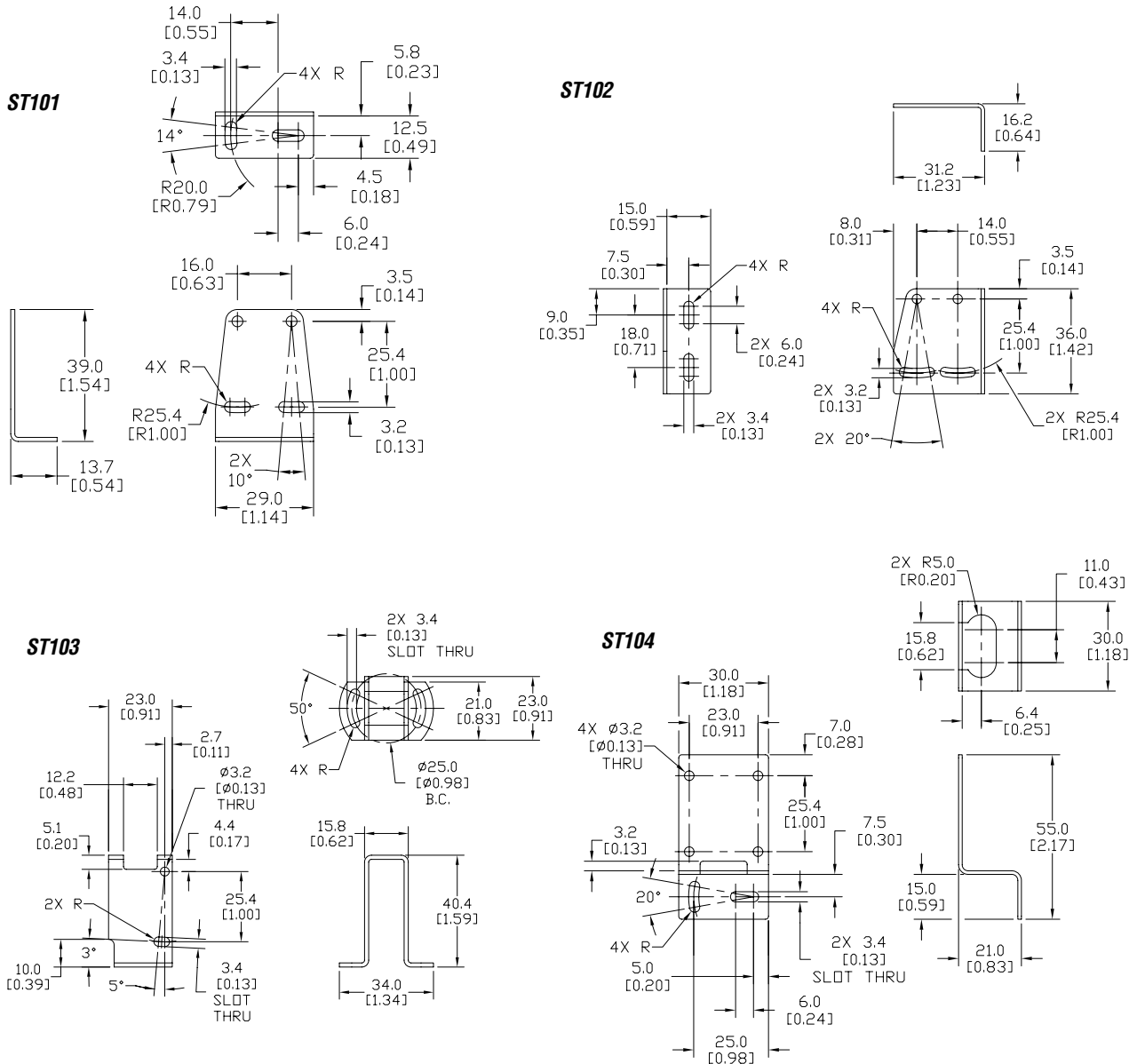
# Accessories: Mounting Brackets

## ST101 through ST104 mounting brackets

Photoelectric Sensor Brackets			
Part Number	Price	Description	Weight [lb]
ST101		Mounting bracket, 304 stainless steel, right-angle vertical mount. Mounting hardware included.	0.04
ST102		Mounting bracket, 304 stainless steel, right-angle horizontal mount. Mounting hardware included.	0.05
ST103		Mounting bracket, for prewired photoelectric sensors only, 304 stainless steel, protective vertical mount. Mounting hardware included.	0.06
ST104		Mounting bracket, for prewired photoelectric sensors only, 304 stainless steel, protective horizontal mount. Mounting hardware included.	0.05

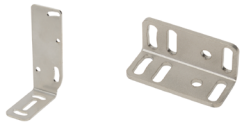
### Dimensions

mm [inches]



# Accessories: Mounting Brackets

## ST-S8 and ST-5072 mounting brackets

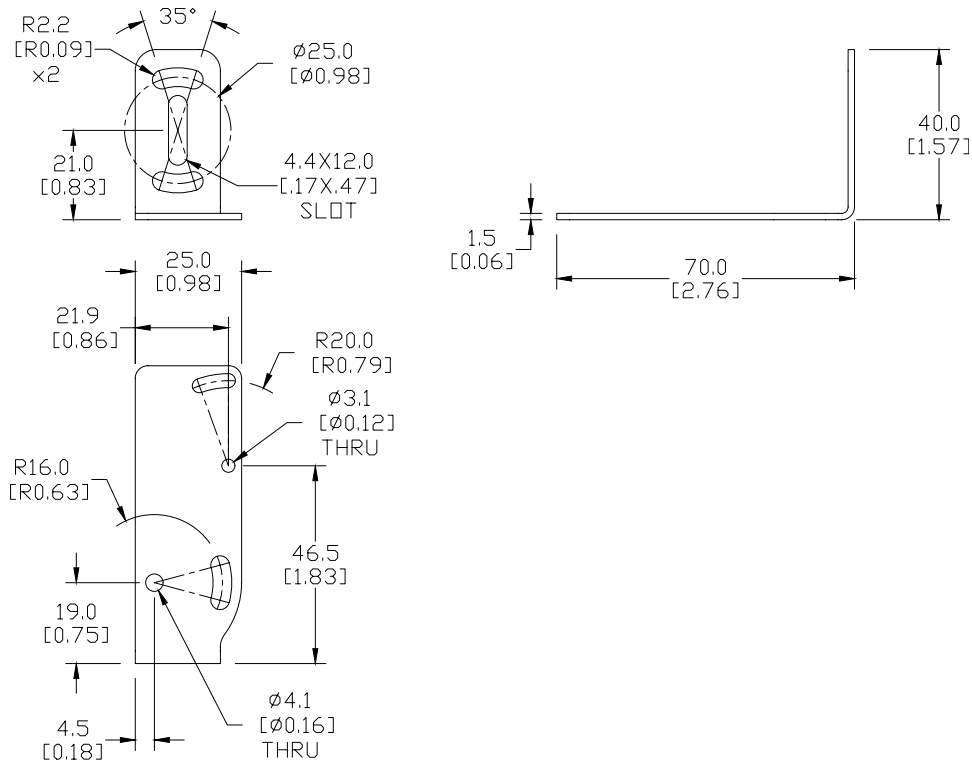


Contrast Sensor Brackets			
Part Number	Price	Description	Weight [lb]
<b>ST-S8-FRM</b>		Datalogic mounting bracket, 304 stainless steel, vertical. For use with S8 series contrast sensors.	0.48
<b>ST-5072</b>		Datalogic mounting bracket, 304 stainless steel, right-angle. For use with S8 series contrast sensors.	0.10

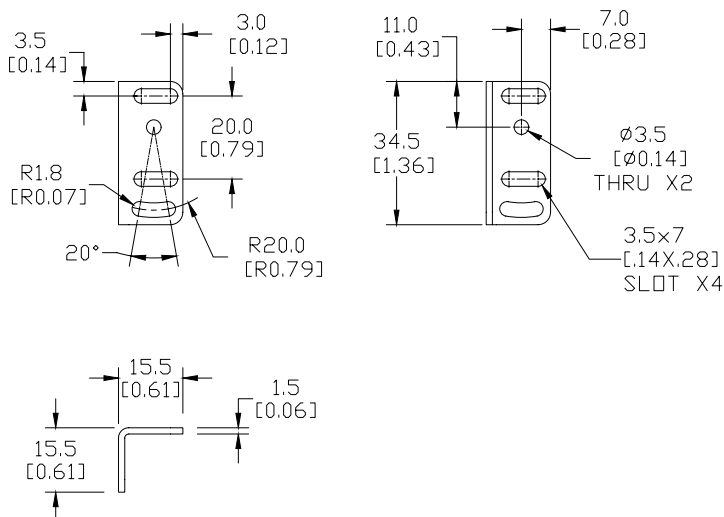
### Dimensions

mm [inches]

#### ST-S8-FRM



#### ST-5072



SEE OUR WEBSITE: [WWW.AUTOMATIONDIRECT.COM](http://WWW.AUTOMATIONDIRECT.COM) FOR COMPLETE ENGINEERING DRAWINGS.