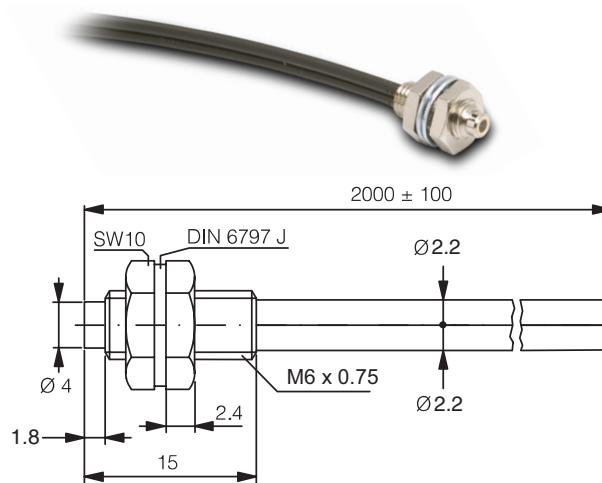


Cuttable Optical Fibers (2.2 mm Diameter)

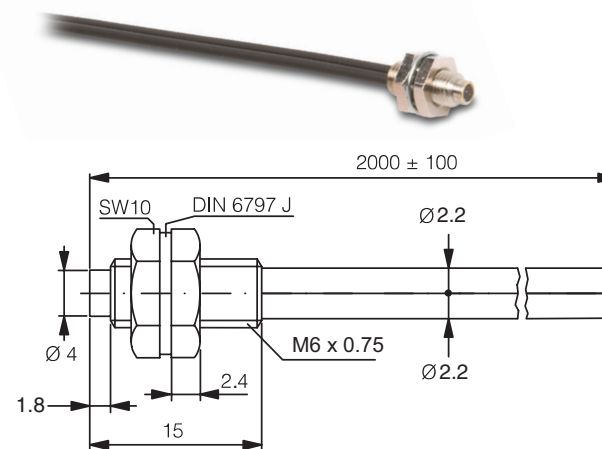
CF-DB1-20 diffuse reflection

Specifications	
Optical Fiber Core Ø	1 mm (0.039in)
Sensing Distance with DFT and DFP series	200 mm (7.87in)
Fiber Length (L)	2.0 m (78.74in)
Fiber Bending Radius	25 mm (0.98in)
Free Cut	Yes
Head Size	M6
Thread Pitch	0.75 mm
Protection Degree	IEC IP67
Agency Approvals	UL file 328811
Temperature Range	-25° to +70°C (-13° to 158°F)
Fiber Materials	PMMA
Sleeve Materials	Polyethylene
Head Materials	Nickel-plated brass



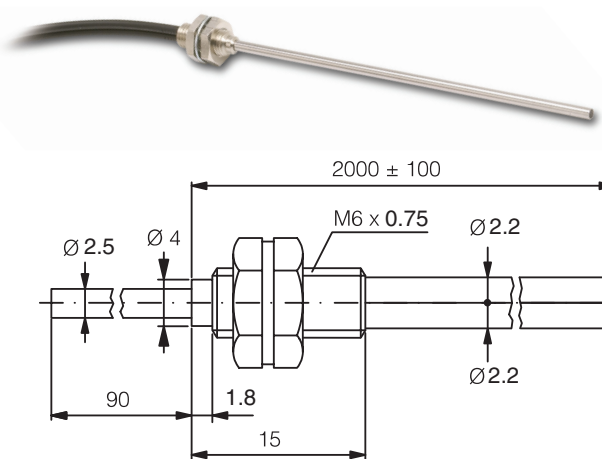
CF-DB2-20 diffuse reflection

Specifications	
Optical Fiber Core Ø	1.5 mm (0.06in)
Sensing Distance with DFT and DFP Series	260 mm (10.27in)
Fiber Length (L)	2.0 m (78.74in)
Fiber Bending Radius	40 mm (1.57in)
Free Cut	Yes
Head Size	M6
Thread Pitch	0.75 mm
Protection Degree	IEC IP67
Agency Approvals	UL file 328811
Temperature Range	-25° to +70°C (-13° to 158°F)
Fiber Materials	PMMA
Sleeve Materials	Polyethylene
Head Materials	Nickel-plated brass



CF-DB3-20 diffuse reflection

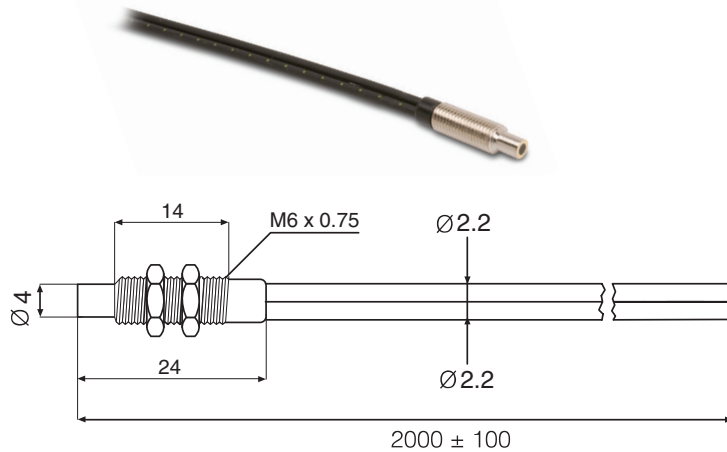
Specifications	
Optical Fiber Core Ø	1 mm (0.039in)
Sensing Distance with DFT and DFP Series	200 mm (7.87in)
Fiber Length (L)	2.0 m (78.74in)
Fiber Bending Radius	25 mm (0.98in)
Bendable light-outlet tube	Yes, 25 mm (0.98in) radius
Free Cut	Yes
Head Size	M6
Thread Pitch	0.75 mm
Protection Degree	IEC IP67
Agency Approvals	UL file 328811
Temperature Range	-25° to +70°C (-13° to 158°F)
Fiber Materials	PMMA
Sleeve Materials	Polyethylene
Head Materials	Nickel-plated brass



Cuttable Optical Fibers (2.2 mm Diameter)

CF-CB1-20 diffuse reflection

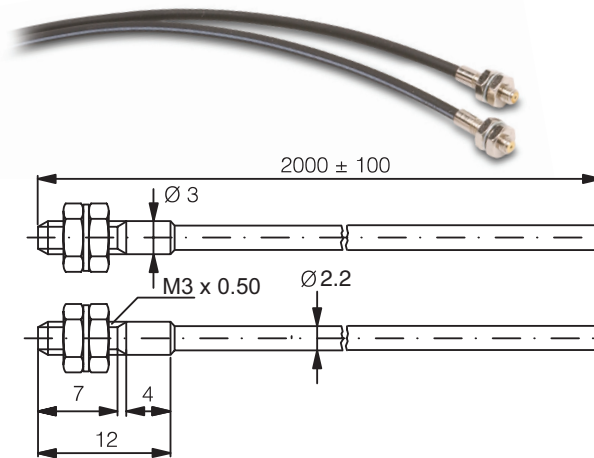
Specifications	
Optical Fiber Core Ø	1 mm (0.039in)
Sensing Distance with SSF Series	50 mm (1.97in)
Fiber Length (L)	2.0 m (78.74in)
Fiber Bending Radius	25 mm (0.98in)
Free Cut	Yes
Head Size	M6
Thread Pitch	0.75 mm
Protection Degree	IEC IP67
Temperature Range	-40° to +70°C (-40° to 158°F)
Fiber Materials	PMMA
Sleeve Materials	Polyethylene
Head Materials	Nickel-plated brass



CF-TB1-20 through-beam

Specifications	
Optical Fiber Core Ø	0.5 mm (0.02in)
Sensing Distance with DFT and DFP Series	200 mm (7.87in)
Fiber Length (L)	2.0 m (78.74in) ea. piece
Fiber Bending Radius	25 mm (0.98in)
Free Cut	Yes
Head Size	M3
Thread Pitch	0.5 mm
Protection Degree	IEC IP67
Agency Approvals	UL file 328811
Temperature Range	-25° to +70°C (-13° to 158°F)
Fiber Materials	PMMA
Sleeve Materials	Polyethylene
Head Materials	Nickel-plated brass

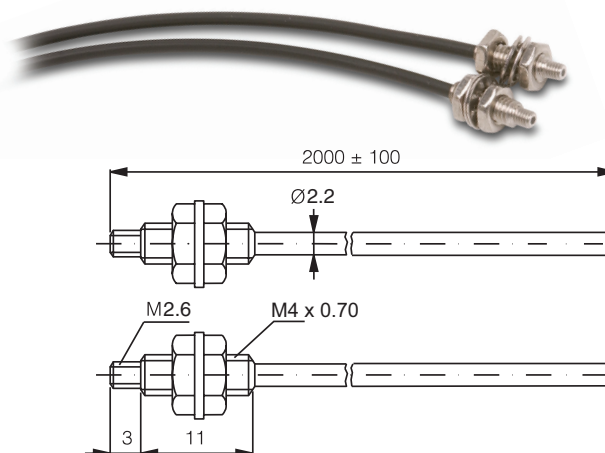
Includes 2 optical fiber cables



Includes 2 optical fiber cables

CF-TB2-20 through-beam

Specifications	
Optical Fiber Core Ø	1 mm (0.039in)
Sensing Distance with DFT and DFP Series	700 mm (27.56in)
Fiber Length (L)	2.0 m (78.74in) ea. piece
Fiber Bending Radius	25 mm (0.98in)
Free Cut	Yes
Head Size	M4
Thread Pitch	0.7 mm
Protection Degree	IEC IP67
Agency Approvals	UL file E328811
Temperature Range	-25° to +70°C (-13° to 158°F)
Fiber Materials	PMMA
Sleeve Materials	Polyethylene
Head Materials	Nickel-plated brass

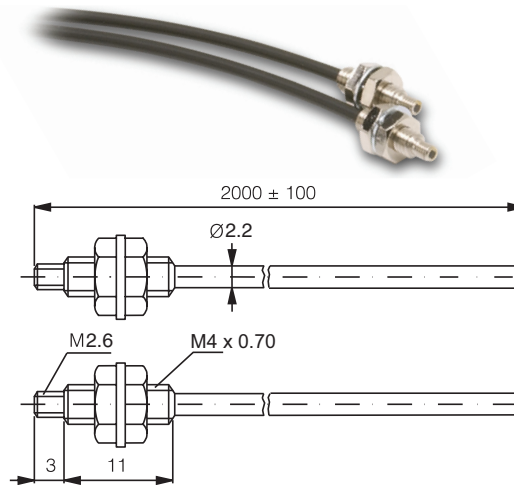


Cuttable Optical Fibers (2.2 mm Diameter)

CF-TB3-20 through-beam

Specifications	
Optical Fiber Core Ø	1.5 mm (0.06in)
Sensing Distance with DFT and DFP Series	900 mm (35.43in)
Fiber Length (L)	2.0 m (78.74in) ea. piece
Fiber Bending Radius	40 mm (1.57in)
Free Cut	Yes
Head Size	M4
Thread Pitch	0.7 mm
Protection Degree	IEC IP67
Agency Approvals	UL file E328811
Temperature Range	-25° to +70°C (-13° to 158°F)
Fiber Materials	PMMA
Sleeve Materials	Polyethylene
Head Materials	Nickel-plated brass

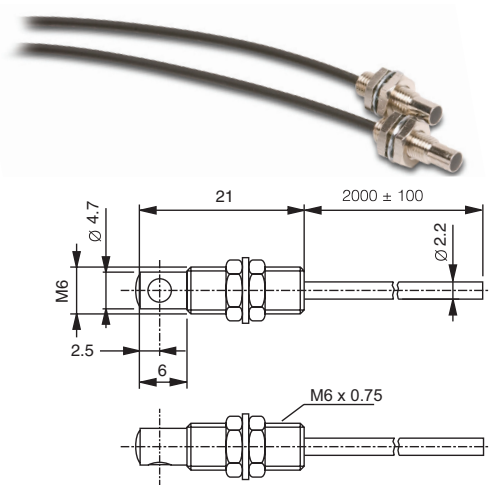
Includes 2 optical fiber cables



CF-TB4-20 90° through-beam

Specifications	
Optical Fiber Core Ø	1.0 mm (0.039in)
Sensing Distance with DFT and DFP Series	1800 mm (70.87in)
Fiber Length (L)	2.0 m (78.74in) ea. piece
Fiber Bending Radius	25 mm (0.98in)
Free Cut	Yes
Head Size	M6
Thread Pitch	0.75 mm
Protection Degree	IEC IP67
Agency Approvals	UL file E328811
Temperature Range	-25° to +70°C (-13° to 158°F)
Fiber Materials	PMMA
Sleeve Materials	Polyethylene
Head Materials	Nickel-plated brass

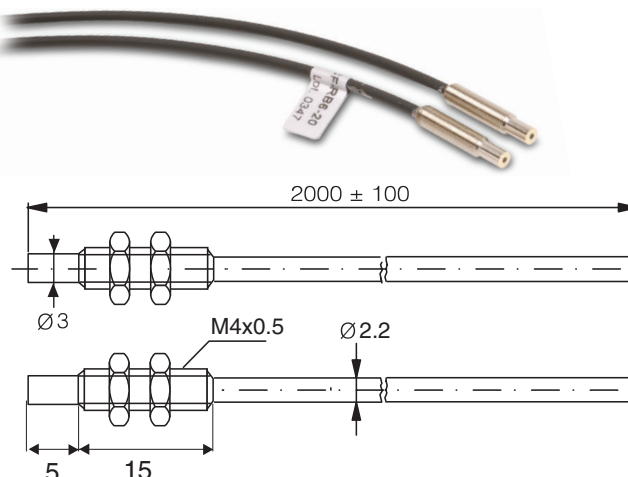
Includes 2 optical fiber cables



CF-RB6-20 through beam

Specifications	
Optical Fiber Core Ø	1.0 mm (0.039in)
Sensing Distance with SSF Series	120 mm (4.72in)
Fiber Length (L)	2.0 m (78.74in) ea. piece
Fiber Bending Radius	25 mm (0.98in)
Free Cut	Yes
Head Size	M4
Thread Pitch	0.50 mm
Protection Degree	IEC IP67
Temperature Range	-40° to +70°C (-40° to 158°F)
Fiber Materials	PMMA
Sleeve Materials	Polyethylene
Head Materials	Nickel-plated brass

Includes 2 optical fiber cables

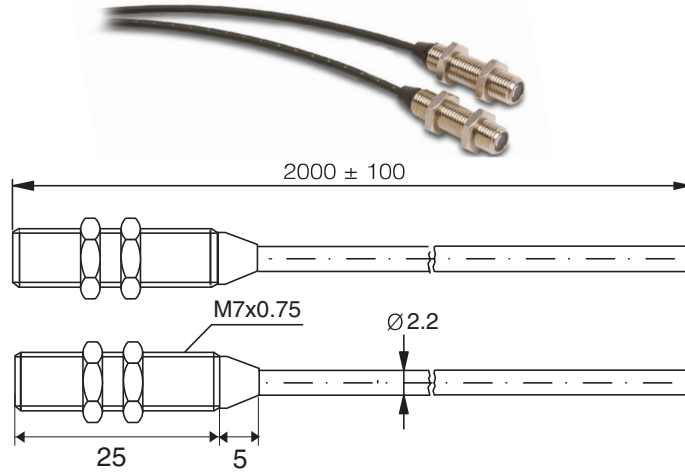


Cuttable Optical Fibers (2.2 mm Diameter)

CF-RBA-20 through-beam with lenses

Includes 2 optical fiber cables

Specifications	
Optical Fiber Core Ø	1.0 mm (0.039in)
Sensing Distance with SSF series	1200 mm (47.24in)
Fiber Length (L)	2.0 m (78.74in) ea. piece
Fiber Bending Radius	25 mm (0.98in)
Free Cut	Yes
Head Size	M7
Thread Pitch	0.75 mm
Protection Degree	IEC IP67
Temperature Range	-40° to +70°C (-40° to 158°F)
Fiber Materials	PMMA
Sleeve Materials	Polyethylene
Head Materials	Nickel-plated brass



Characteristic Curves

