

# Cuttable Fiber Optic Cable

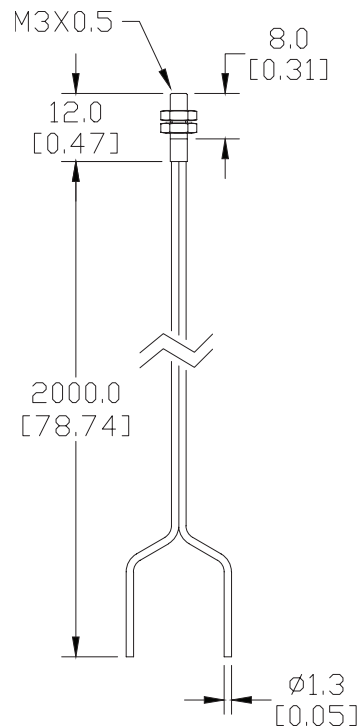
## OPT2050 Diffuse Reflex Mode



OPT2050 Specifications	
Part Number	OPT2050
Price	
Optical Fiber Core $\varnothing$	0.5 mm
Sensing Distance with OPT series	60mm
Fiber Length (L)	2m
Fiber Bending Radius	15mm
Free Cut	Yes
Head Size	M3
Thread Pitch	0.5
Temperature Range	-40 to 85°C [-40 to 185°F]
Fiber Materials	PMMA
Sleeve Materials	PE (black)
Head Materials	Stainless steel
Fiber Distribution	Parallel arrangement
Opening Angle	55 degrees
Diameter Jacket	1mm
Light Emission	Straight

## Dimensions

mm [inch]



See our website: for complete Engineering drawings.

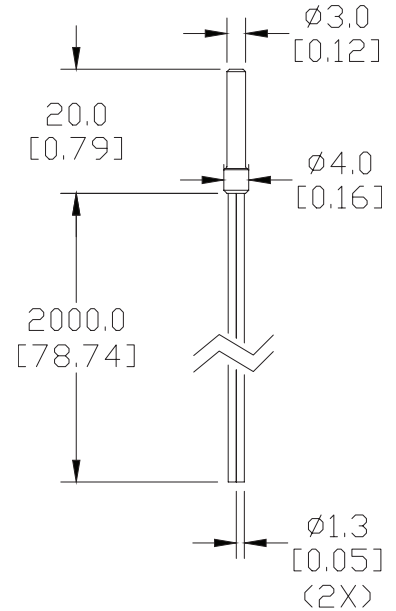
# Cuttable Fiber Optic Cable

## OPT2052 Diffuse (Reflex) Mode



### Dimensions

mm [inch]



### OPT2052 Specifications

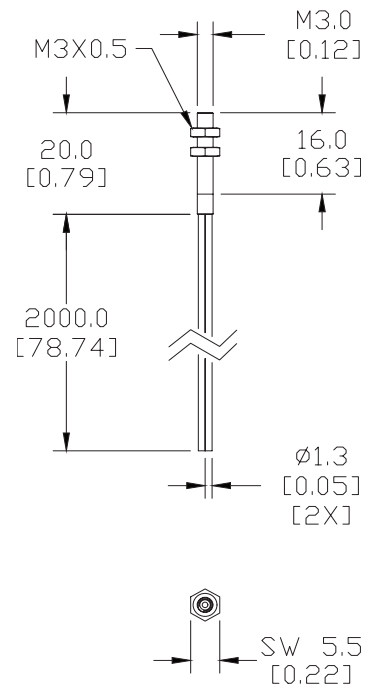
<b>Part Number</b>	OPT2052
<b>Price</b>	
<b>Optical Fiber Core Ø</b>	0.5 mm
<b>Sensing Distance with OPT series</b>	60mm
<b>Fiber Length (L)</b>	2m
<b>Fiber Bending Radius</b>	15mm
<b>Free Cut</b>	Yes
<b>Head Size</b>	3mm
<b>Thread Pitch</b>	NA
<b>Temperature Range</b>	-40 to 85°C [-40 to 185°F]
<b>Fiber Materials</b>	PMMA
<b>Sleeve Materials</b>	PE (black)
<b>Head Materials</b>	Stainless steel
<b>Fiber Distribution</b>	Coaxial arrangement
<b>Opening Angle</b>	55 degrees
<b>Diameter Jacket</b>	1.3 mm
<b>Light Emission</b>	Straight

## OPT2053 Diffuse (Reflex) Mode



### Dimensions

mm [inch]



### OPT2053 Specifications

<b>Part Number</b>	OPT2053
<b>Price</b>	
<b>Optical Fiber Core Ø</b>	0.5 mm
<b>Sensing Distance with OPT series</b>	60mm
<b>Fiber Length (L)</b>	2m
<b>Fiber Bending Radius</b>	15mm
<b>Free Cut</b>	Yes
<b>Head Size</b>	M3
<b>Thread Pitch</b>	0.5
<b>Temperature Range</b>	-40 to 85°C [-40 to 185°F]
<b>Fiber Materials</b>	PMMA
<b>Sleeve Materials</b>	PE (black)
<b>Head Materials</b>	Stainless steel
<b>Fiber Distribution</b>	Coaxial Arrangement
<b>Opening Angle</b>	55 degrees
<b>Diameter Jacket</b>	1.3 mm
<b>Light Emission</b>	Straight

See our website: for complete Engineering drawings.

# Cuttable Fiber Optic Cable

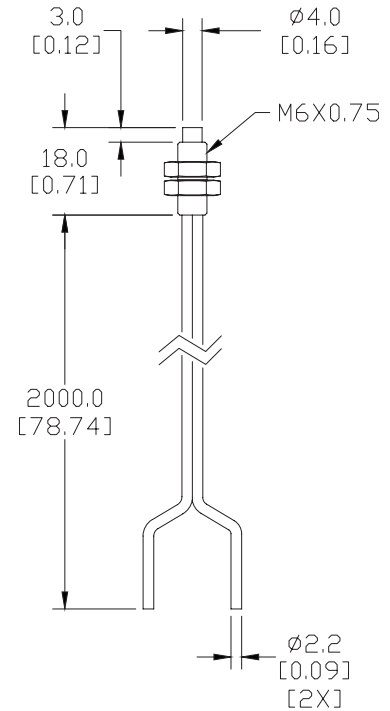
## OPT2054 Diffuse (Reflex) Mode



OPT2054 Specifications	
Part Number	OPT2054
Price	
Optical Fiber Core Ø	1mm
Sensing Distance with OPT series	160mm
Fiber Length (L)	2m
Fiber Bending Radius	30mm
Free Cut	Yes
Head Size	M6
Thread Pitch	0.75
Temperature Range	-40 to 85°C [-40 to 185°F]
Fiber Materials	PMMA
Sleeve Materials	PE (black)
Head Materials	Nickel-plated brass
Fiber Distribution	Parallel arrangement
Opening Angle	55 degrees
Diameter Jacket	2.2 mm
Light Emission	Straight

## Dimensions

mm [inch]



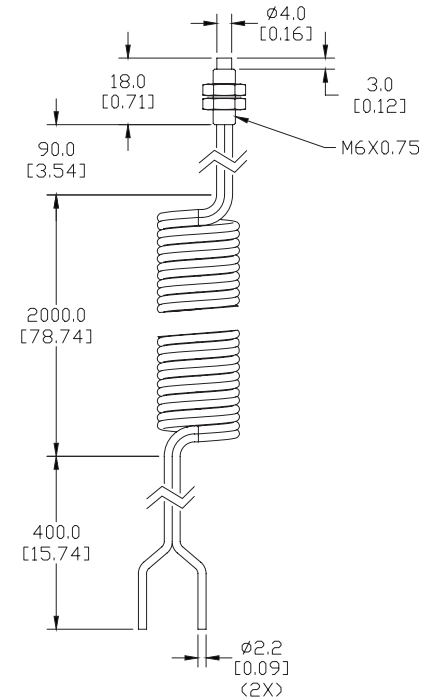
## OPT2055 Diffuse (Reflex) Mode



OPT2055 Specifications	
Part Number	OPT2055
Price	
Optical Fiber Core Ø	1mm
Sensing Distance with OPT series	60mm
Fiber Length (L)	2m
Fiber Bending Radius	30mm
Free Cut	Yes
Head Size	M6
Thread Pitch	0.75
Temperature Range	-40 to 85°C [-40 to 185°F]
Fiber Materials	PMMA
Sleeve Materials	PE (black)
Head Materials	Nickel-plated brass
Fiber Distribution	Parallel arrangement
Opening Angle	55 degrees
Diameter Jacket	2.2 mm
Light Emission	Straight

## Dimensions

mm [inch]



\* 2000.0 mm maximum extended coil length.

See our website: for complete Engineering drawings.

# Cuttable Fiber Optic Cable

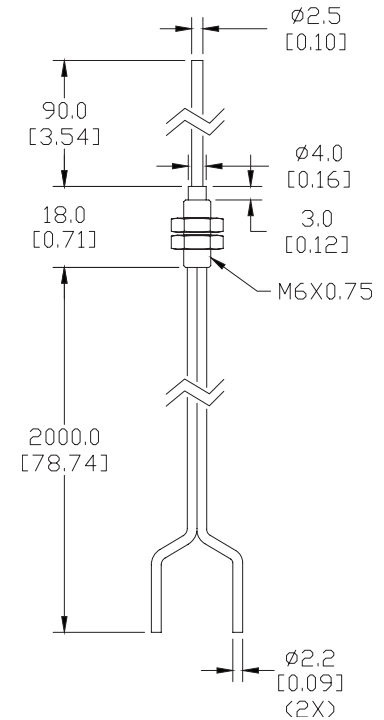
## OPT2056 Diffuse (Reflex) Mode



OPT2056 Specifications	
Part Number	OPT2056
Price	
Optical Fiber Core Ø	1mm
Sensing Distance with OPT series	160mm
Fiber Length (L)	2m
Fiber Bending Radius	30mm
Free Cut	Yes
Head Size	M6
Thread Pitch	0.75
Temperature Range	-40 to 85°C [-40 to 185°F]
Fiber Materials	PMMA
Sleeve Materials	PE (black)
Head Materials	Stainless steel
Fiber Distribution	Parallel arrangement
Opening Angle	55 degrees
Diameter Jacket	2.2 mm
Light Emission	Straight
Flexible Endpot	Yes

## Dimensions

mm [inch]



*Flexible endpoint is not for continuous flexing applications.*

See our website: for complete Engineering drawings.

# Cuttable Fiber Optic Cable

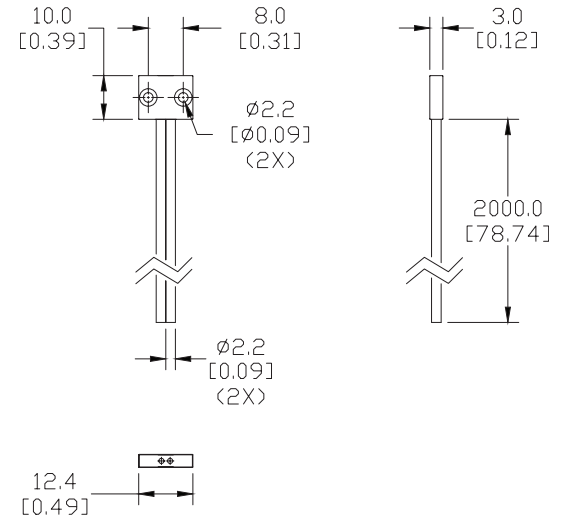
## OPT2059 Diffuse (Reflex) Mode



OPT2059 Specifications	
<b>Part Number</b>	OPT2059
<b>Price</b>	
<b>Optical Fiber Core Ø</b>	1mm
<b>Sensing Distance with OPT series</b>	160mm
<b>Fiber Length (L)</b>	2m
<b>Fiber Bending Radius</b>	20mm
<b>Free Cut</b>	Yes
<b>Head Size</b>	12mm flat
<b>Thread Pitch</b>	NA
<b>Temperature Range</b>	-40 to 85°C [-40 to 185°F]
<b>Fiber Materials</b>	PMMA
<b>Sleeve Materials</b>	PE (black)
<b>Head Materials</b>	Aluminum
<b>Fiber Distribution</b>	Parallel arrangement
<b>Opening Angle</b>	55 degrees
<b>Diameter Jacket</b>	2.2 mm
<b>Light Emission</b>	Straight

## Dimensions

mm [inch]



See our website: for complete Engineering drawings.

# Cuttable Fiber Optic Cable

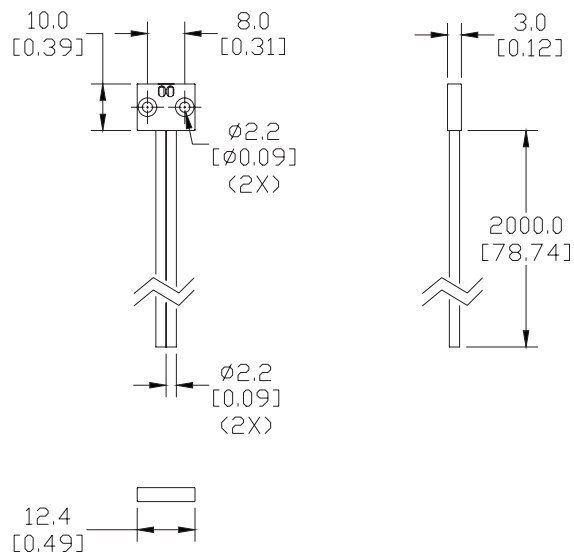
## OPT2060 Diffuse (Reflex) Mode



OPT2060 Specifications	
Part Number	OPT2060
Price	
Optical Fiber Core Ø	1mm
Sensing Distance with OPT series	50mm
Fiber Length (L)	2m
Fiber Bending Radius	20mm
Free Cut	Yes
Head Size	12mm flat
Thread Pitch	NA
Temperature Range	-40 to 85°C [-40 to 185°F]
Fiber Materials	PMMA
Sleeve Materials	PE (black)
Head Materials	Aluminum
Fiber Distribution	Parallel arrangement
Opening Angle	55 degrees
Diameter Jacket	2.2 mm
Light Emission	Sidewise

### Dimensions

mm [inch]



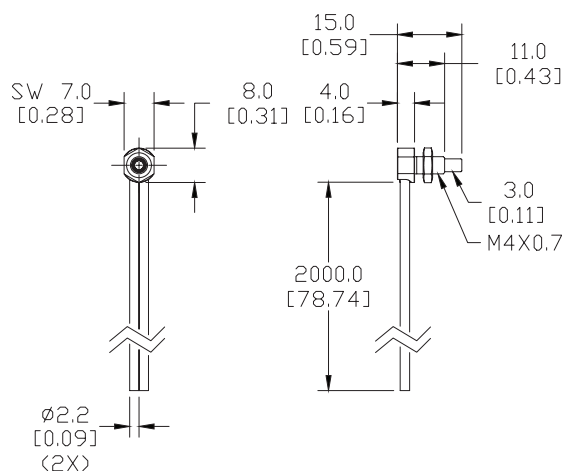
## OPT2061 Diffuse (Reflex) Mode



OPT2061 Specifications	
Part Number	OPT2061
Price	
Optical Fiber Core Ø	1mm
Sensing Distance with OPT series	70mm
Fiber Length (L)	2m
Fiber Bending Radius	50mm
Free Cut	Yes
Head Size	M4
Thread Pitch	0.7
Temperature Range	-40 to 85°C [-40 to 185°F]
Fiber Materials	PMMA
Sleeve Materials	PE (black)
Head Materials	Stainless steel
Fiber Distribution	Parallel arrangement
Opening Angle	55 degrees
Diameter Jacket	2.2 mm
Light Emission	Sidewise

### Dimensions

mm [inch]



See our website: for complete Engineering drawings.

# Cuttable Fiber Optic Cable

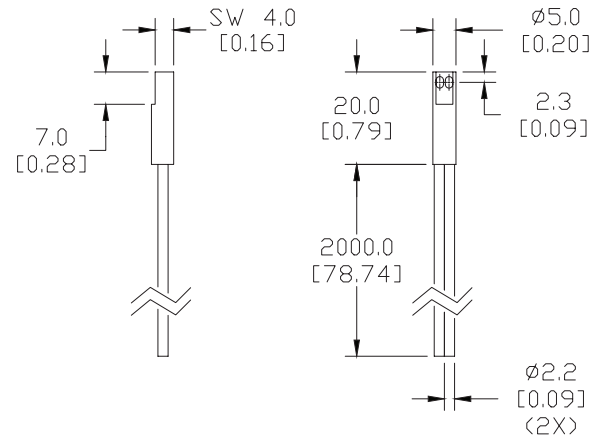
## OPT2062 Diffuse (Reflex) Mode



OPT2062 Specifications	
Part Number	OPT2062
Price	
Optical Fiber Core Ø	1mm
Sensing Distance with OPT series	50mm
Fiber Length (L)	2m
Fiber Bending Radius	20mm
Free Cut	Yes
Head Size	5mm
Thread Pitch	NA
Temperature Range	-40 to 85°C [-40 to 185°F]
Fiber Materials	PMMA
Sleeve Materials	PE (black)
Head Materials	Stainless steel
Fiber Distribution	Parallel arrangement
Opening Angle	55 degrees
Diameter Jacket	2.2 mm
Light Emission	Sidewise

## Dimensions

mm [inch]



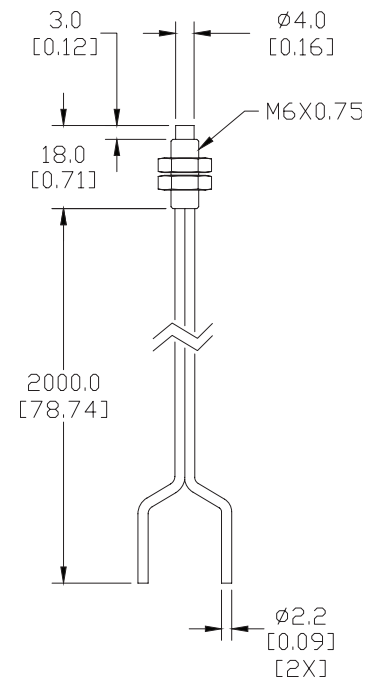
## OPT2063 Diffuse (Reflex) Mode



OPT2063 Specifications	
Part Number	OPT2063
Price	
Optical Fiber Core Ø	1mm
Sensing Distance with OPT series	90mm
Fiber Length (L)	2m
Fiber Bending Radius	20mm
Free Cut	Yes
Head Size	M6
Thread Pitch	0.75
Temperature Range	-40 to 85°C [-40 to 185°F]
Fiber Materials	PMMA
Sleeve Materials	PE (black)
Head Materials	Nickel-plated brass
Fiber Distribution	Parallel arrangement
Opening Angle	55 degrees
Diameter Jacket	2.2 mm
Light Emission	Straight

## Dimensions

mm [inch]



See our website: for complete Engineering drawings.

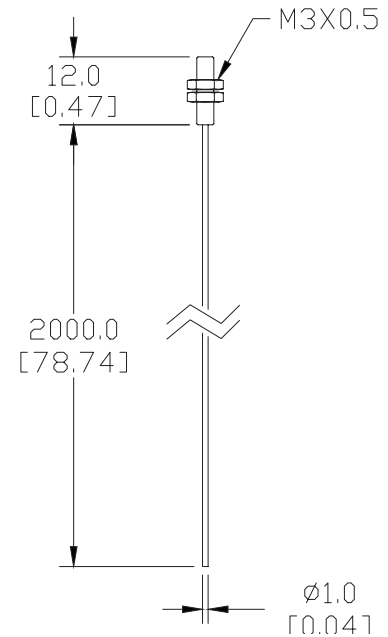
# Cuttable Fiber Optic Cable

## OPT2064 Through-Beam Mode



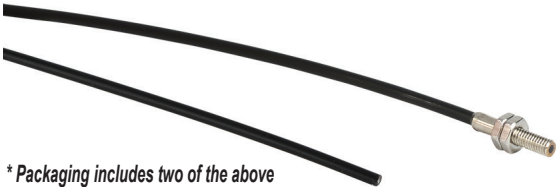
## Dimensions

mm [inch]



OPT2064 Specifications	
Part Number	OPT2064
Price	
Optical Fiber Core Ø	0.5 mm
Sensing Distance with OPT series	160mm
Fiber Length (L)	2m
Fiber Bending Radius	15mm
Free Cut	Yes
Head Size	M3
Thread Pitch	0.5
Temperature Range	-40 to 85°C [-40 to 185°F]
Fiber Materials	PMMA
Sleeve Materials	PE (black)
Head Materials	Stainless steel
Fiber Distribution	Parallel arrangement
Opening Angle	55 degrees
Diameter Jacket	1mm
Light Emission	Straight

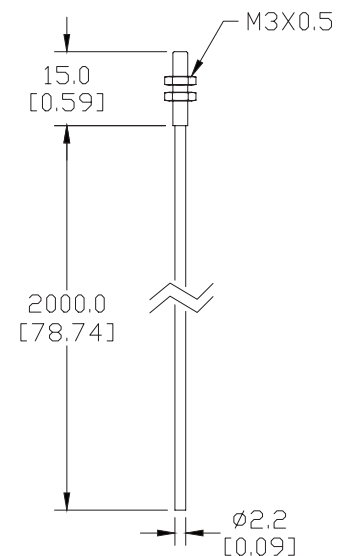
## OPT2065 Through-Beam Mode



\* Packaging includes two of the above

## Dimensions

mm [inch]



OPT2065 Specifications	
Part Number	OPT2065
Price	
Optical Fiber Core Ø	1mm
Sensing Distance with OPT series	400mm
Fiber Length (L)	2m
Fiber Bending Radius	30mm
Free Cut	Yes
Head Size	M3
Thread Pitch	0.5
Temperature Range	-40 to 85°C [-40 to 185°F]
Fiber Materials	PMMA
Sleeve Materials	PE (black)
Head Materials	Nickel-plated brass
Fiber Distribution	Parallel arrangement
Opening Angle	55 degrees
Diameter Jacket	2.2 mm
Light Emission	Straight

See our website: for complete Engineering drawings.



# Cuttable Fiber Optic Cable

## OPT2070 Through-Beam Mode

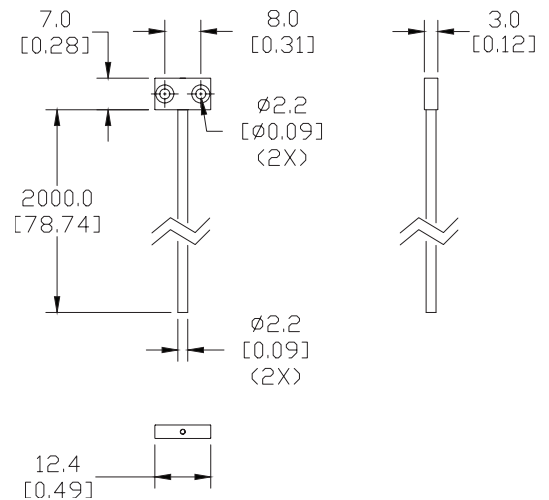


\* Packaging includes two of the above.

OPT2070 Specifications	
Part Number	OPT2070
Price	
Optical Fiber Core Ø	1mm
Sensing Distance with OPT series	200mm
Fiber Length (L)	2m
Fiber Bending Radius	20mm
Free Cut	Yes
Head Size	NA
Thread Pitch	NA
Temperature Range	-40 to 85°C [-40 to 185°F]
Fiber Materials	PMMA
Sleeve Materials	PE (black)
Head Materials	Aluminum
Fiber Distribution	Parallel arrangement
Opening Angle	55 degrees
Diameter Jacket	2.2 mm
Light Emission	Sidewise

### Dimensions

mm [inch]



## OPT2071 Through-Beam Mode

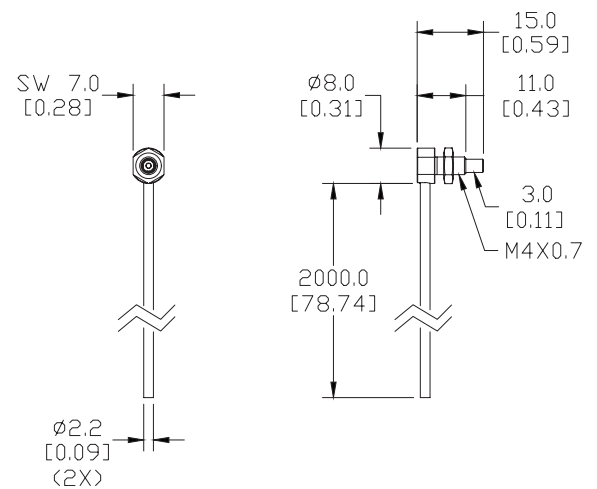


\* Packaging includes two of the above.

OPT2071 Specifications	
Part Number	OPT2071
Price	
Optical Fiber Core Ø	1mm
Sensing Distance with OPT series	250mm
Fiber Length (L)	2m
Fiber Bending Radius	2mm
Free Cut	Yes
Head Size	M4
Thread Pitch	0.7
Temperature Range	-40 to 85°C [-40 to 185°F]
Fiber Materials	PMMA
Sleeve Materials	PE (black)
Head Materials	Stainless steel
Fiber Distribution	Parallel arrangement
Opening Angle	55 degrees
Diameter Jacket	2.2 mm
Light Emission	Sidewise

### Dimensions

mm [inch]



See our website: for complete Engineering drawings.

# Cuttable Fiber Optic Cable

## OPT2074 Through-Beam Mode

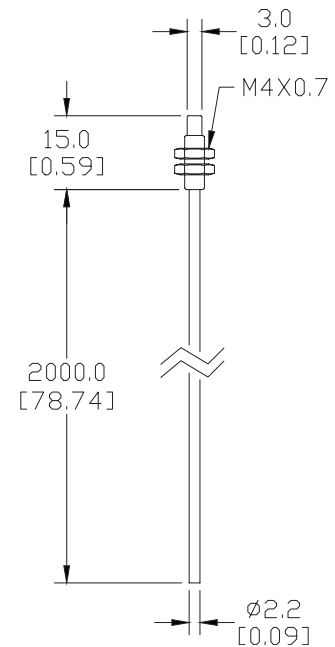


\* Packaging includes two of the above.

OPT2074 Specifications	
Part Number	OPT2074
Price	
Optical Fiber Core Ø	1mm
Sensing Distance with OPT series	350mm
Fiber Length (L)	2m
Fiber Bending Radius	20mm
Free Cut	Yes
Head Size	M4
Thread Pitch	0.7
Temperature Range	-40 to 85°C [-40 to 185°F]
Fiber Materials	PMMA
Sleeve Materials	PE (black)
Head Materials	Stainless steel
Fiber Distribution	Parallel arrangement
Opening Angle	55 degrees
Diameter Jacket	2.2 mm
Light Emission	Straight

## Dimensions

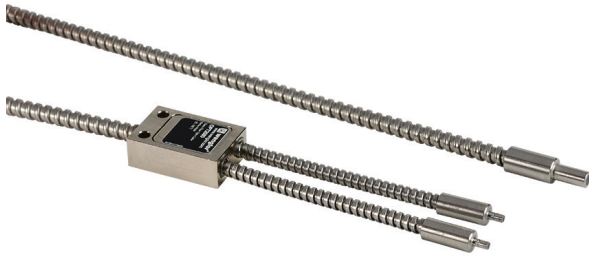
mm [inch]



See our website: for complete Engineering drawings.

# Glass Fiber Optic Cable

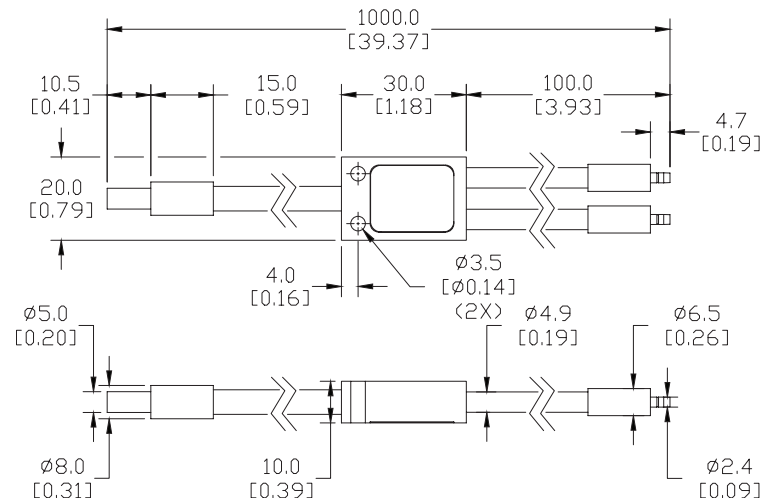
## OPT2080 Diffuse (Reflex) Mode



## Dimensions

mm [inch]

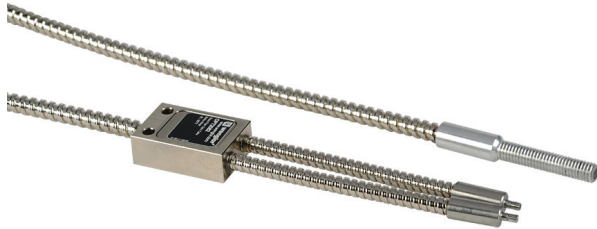
OPT2080 Specifications	
<b>Part Number</b>	OPT2080
<b>Price</b>	
<b>Optical Fiber Core Ø</b>	1.6 mm
<b>Sensing Distance with OPT series</b>	160mm
<b>Fiber Length (L)</b>	1m
<b>Fiber Bending Radius</b>	60mm
<b>Free Cut</b>	No
<b>Head Size</b>	5mm
<b>Thread Pitch</b>	NA
<b>Temperature Range</b>	-25 to 180 °C [-13 to 365°F]
<b>Fiber Materials</b>	Glass
<b>Sleeve Materials</b>	Stainless steel
<b>Head Materials</b>	Stainless steel
<b>Fiber Diameter</b>	50µm
<b>Fiber Distribution</b>	Statistic mixture
<b>Opening Angle</b>	68 degrees
<b>Light Emission</b>	Straight



See our website: for complete Engineering drawings.

# Glass Fiber Optic Cable

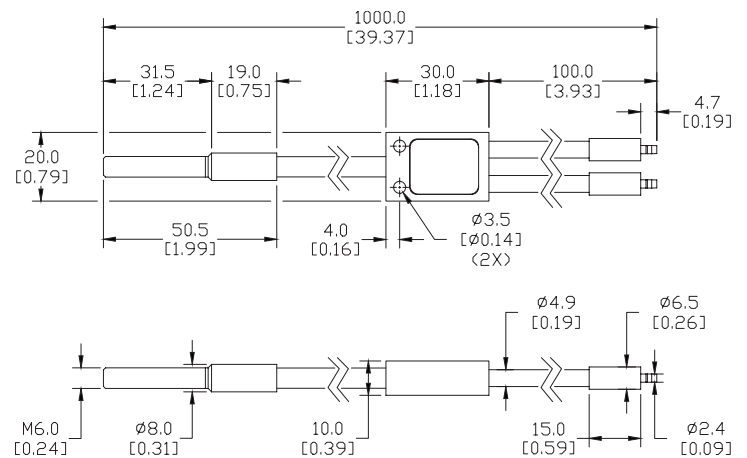
## OPT2082 Diffuse (Reflex) Mode



## Dimensions

mm [inch]

OPT2082 Specifications	
<b>Part Number</b>	OPT2082
<b>Price</b>	
<b>Optical Fiber Core Ø</b>	1.6 mm
<b>Sensing Distance with OPT series</b>	160mm
<b>Fiber Length (L)</b>	1m
<b>Fiber Bending Radius</b>	50mm
<b>Free Cut</b>	No
<b>Head Size</b>	M6
<b>Thread Pitch</b>	1.0
<b>Temperature Range</b>	-25 to 180 °C [-13 to 356 °F]
<b>Fiber Materials</b>	Glass
<b>Sleeve Materials</b>	Nickel-plated brass
<b>Head Materials</b>	Aluminum
<b>Fiber Diameter</b>	50µm
<b>Fiber Distribution</b>	Separated bundles
<b>Opening Angle</b>	68 degrees
<b>Light Emission</b>	Straight



See our website: for complete Engineering drawings.

# Glass Fiber Optic Cable

## OPT2086 Through-Beam Mode

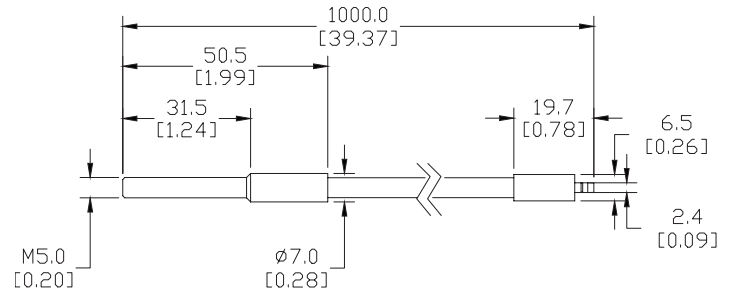


\* Packaging includes two of the above.

## Dimensions

mm [inch]

OPT2086 Specifications	
Part Number	OPT2086
Price	
Optical Fiber Core Ø	1.6 mm
Sensing Distance with OPT series	480mm
Fiber Length (L)	1m
Fiber Bending Radius	45mm
Free Cut	No
Head Size	M5
Thread Pitch	0.8
Temperature Range	-25 to 180 °C [-13 to 365°F]
Fiber Materials	Glass
Sleeve Materials	Nickel-plated brass
Head Materials	Aluminum
Fiber Diameter	50µm
Fiber Distribution	Parallel arrangement
Opening Angle	68 degrees
Light Emission	Straight



See our website: for complete Engineering drawings.