

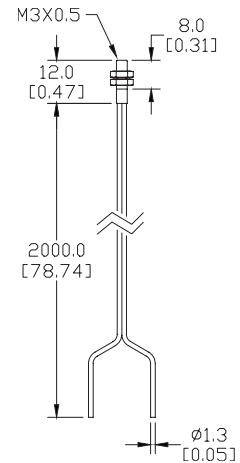
Cuttable Fiber Optic Cable

Dimensions

mm [inch]

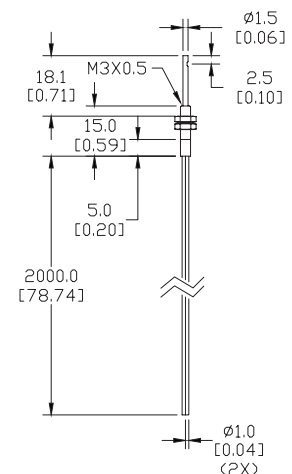
OPT2050 Diffuse (Reflex) Mode

Specifications	
Optical Fiber Core Ø	0.5 mm
Sensing Distance with OPT series	60mm
Fiber Length (L)	2m
Fiber Bending Radius	15mm
Free Cut	Yes
Head Size	M3
Thread Pitch	0.5
Temperature Range	-40 to 85 °C [-40 to 185 °F]
Fiber Materials	PMMA
Sleeve Materials	PE (black)
Head Materials	Stainless steel
Fiber Distribution	Parallel arrangement
Opening Angle	55 degrees
Diameter Jacket	1mm
Light Emission	Straight



OPT2051 Diffuse (Reflex) Mode

Specifications	
Optical Fiber Core Ø	0.5 mm
Sensing Distance with OPT series	12mm
Fiber Length (L)	2m
Fiber Bending Radius	15mm
Free Cut	Yes
Head Size	M3
Thread Pitch	0.5
Temperature Range	-40 to 85 °C [-40 to 185 °F]
Fiber Materials	PMMA
Sleeve Materials	PE (black)
Head Materials	Stainless steel
Fiber Distribution	Parallel arrangement
Opening Angle	55 degrees
Diameter Jacket	1mm
Light Emission	Sidewise



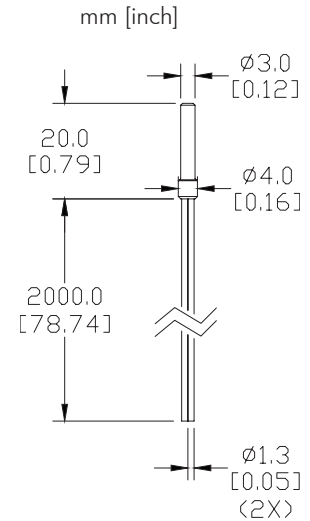
Cuttable Fiber Optic Cable

OPT2052 Diffuse (Reflex) Mode

Specifications	
Optical Fiber Core Ø	0.5 mm
Sensing Distance with OPT series	60mm
Fiber Length (L)	2m
Fiber Bending Radius	15mm
Free Cut	Yes
Head Size	3mm
Thread Pitch	NA
Temperature Range	-40 to 85 °C [-40 to 185 °F]
Fiber Materials	PMMA
Sleeve Materials	PE (black)
Head Materials	Stainless steel
Fiber Distribution	Coaxial arrangement
Opening Angle	55 degrees
Diameter Jacket	1.3 mm
Light Emission	Straight

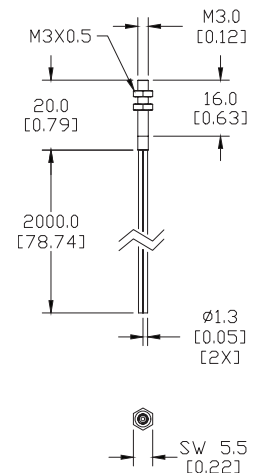


Dimensions



OPT2053 Diffuse (Reflex) Mode

Specifications	
Optical Fiber Core Ø	0.5 mm
Sensing Distance with OPT series	60mm
Fiber Length (L)	2m
Fiber Bending Radius	15mm
Free Cut	Yes
Head Size	M3
Thread Pitch	0.5
Temperature Range	-40 to 85 °C [-40 to 185 °F]
Fiber Materials	PMMA
Sleeve Materials	PE (black)
Head Materials	Stainless steel
Fiber Distribution	Coaxial Arrangement
Opening Angle	55 degrees
Diameter Jacket	1.3 mm
Light Emission	Straight



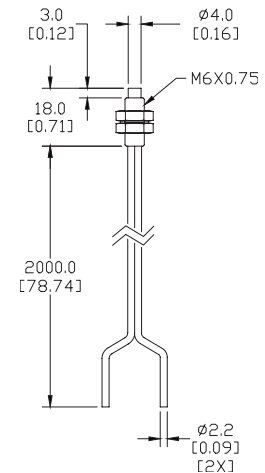
Cuttable Fiber Optic Cable

Dimensions

mm [inch]

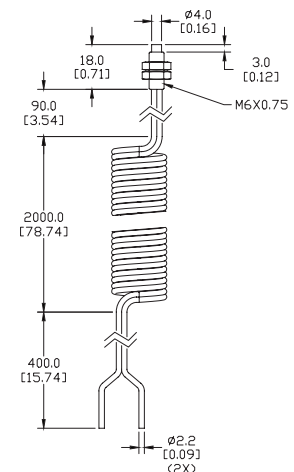
OPT2054 Diffuse (Reflex) Mode

Specifications	
Optical Fiber Core Ø	1mm
Sensing Distance with OPT series	160mm
Fiber Length (L)	2m
Fiber Bending Radius	30mm
Free Cut	Yes
Head Size	M6
Thread Pitch	0.75
Temperature Range	-40 to 85°C [-40 to 185°F]
Fiber Materials	PMMA
Sleeve Materials	PE (black)
Head Materials	Nickel-plated brass
Fiber Distribution	Parallel arrangement
Opening Angle	55 degrees
Diameter Jacket	2.2 mm
Light Emission	Straight



OPT2055 Diffuse (Reflex) Mode

Specifications	
Optical Fiber Core Ø	1mm
Sensing Distance with OPT series	60mm
Fiber Length (L)	2m
Fiber Bending Radius	30mm
Free Cut	Yes
Head Size	M6
Thread Pitch	0.75
Temperature Range	-40 to 85°C [-40 to 185°F]
Fiber Materials	PMMA
Sleeve Materials	PE (black)
Head Materials	Nickel-plated brass
Fiber Distribution	Parallel arrangement
Opening Angle	55 degrees
Diameter Jacket	2.2 mm
Light Emission	Straight



* 2000.0 mm maximum extended coil length.

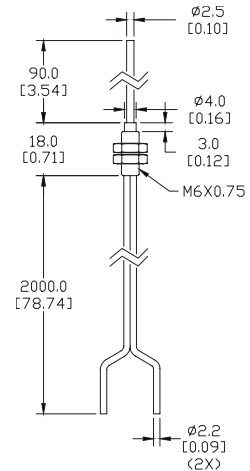
Cuttable Fiber Optic Cable

Dimensions

mm [inch]

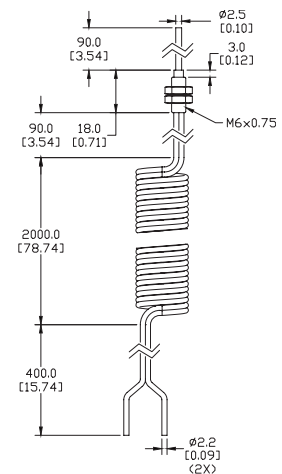
OPT2056 Diffuse (Reflex) Mode

Specifications	
Optical Fiber Core Ø	1mm
Sensing Distance with OPT series	160mm
Fiber Length (L)	2m
Fiber Bending Radius	30mm
Free Cut	Yes
Head Size	M6
Thread Pitch	0.75
Temperature Range	-40 to 85°C [-40 to 185°F]
Fiber Materials	PMMA
Sleeve Materials	PE (black)
Head Materials	Stainless steel
Fiber Distribution	Parallel arrangement
Opening Angle	55 degrees
Diameter Jacket	2.2 mm
Light Emission	Straight
Flexible Endpoint	Yes



OPT2057 Diffuse (Reflex) Mode

Specifications	
Optical Fiber Core Ø	1mm
Sensing Distance with OPT series	60mm
Fiber Length (L)	2m
Fiber Bending Radius	30mm
Free Cut	Yes
Head Size	M6
Thread Pitch	0.75
Temperature Range	-40 to 85°C [-40 to 185°F]
Fiber Materials	PMMA
Sleeve Materials	PE (black)
Head Materials	Stainless steel
Fiber Distribution	Parallel arrangement
Opening Angle	55 degrees
Diameter Jacket	2.2 mm
Light Emission	Straight
Flexible Endpoint	Yes



* 2000.0 mm maximum extended coil length.

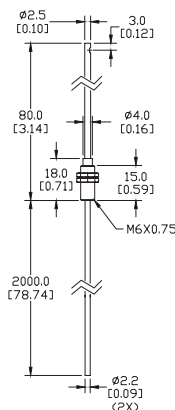
Cuttable Fiber Optic Cable

Dimensions

mm [inch]

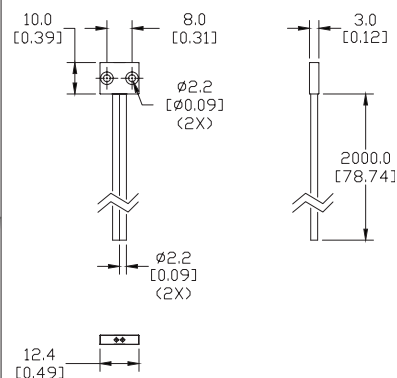
OPT2058 Diffuse (Reflex) Mode

Specifications	
Optical Fiber Core Ø	1mm
Sensing Distance with OPT series	60mm
Fiber Length (L)	2m
Fiber Bending Radius	30mm
Free Cut	Yes
Head Size	M6
Thread Pitch	0.75
Temperature Range	-40 to 85 °C [-40 to 185 °F]
Fiber Materials	PMMA
Sleeve Materials	PE (black)
Head Materials	Stainless steel
Fiber Distribution	Parallel arrangement
Opening Angle	55 degrees
Diameter Jacket	2.2 mm
Light Emission	Sidewise



OPT2059 Diffuse (Reflex) Mode

Specifications	
Optical Fiber Core Ø	1mm
Sensing Distance with OPT series	160mm
Fiber Length (L)	2m
Fiber Bending Radius	20mm
Free Cut	Yes
Head Size	12mm flat
Thread Pitch	NA
Temperature Range	-40 to 85 °C [-40 to 185 °F]
Fiber Materials	PMMA
Sleeve Materials	PE (black)
Head Materials	Aluminum
Fiber Distribution	Parallel arrangement
Opening Angle	55 degrees
Diameter Jacket	2.2 mm
Light Emission	Straight



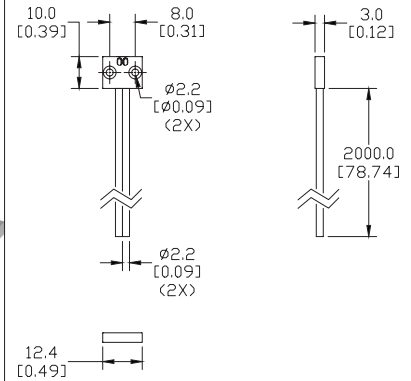
Cuttable Fiber Optic Cable

Dimensions

mm [inch]

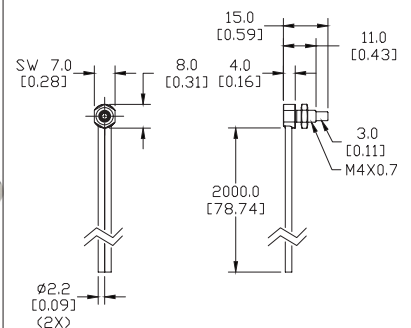
OPT2060 Diffuse (Reflex) Mode

Specifications	
Optical Fiber Core Ø	1mm
Sensing Distance with OPT series	50mm
Fiber Length (L)	2m
Fiber Bending Radius	20mm
Free Cut	Yes
Head Size	12mm flat
Thread Pitch	NA
Temperature Range	-40 to 85 °C [-40 to 185 °F]
Fiber Materials	PMMA
Sleeve Materials	PE (black)
Head Materials	Aluminum
Fiber Distribution	Parallel arrangement
Opening Angle	55 degrees
Diameter Jacket	2.2 mm
Light Emission	Sidewise



OPT2061 Diffuse (Reflex) Mode

Specifications	
Optical Fiber Core Ø	1mm
Sensing Distance with OPT series	70mm
Fiber Length (L)	2m
Fiber Bending Radius	50mm
Free Cut	Yes
Head Size	M4
Thread Pitch	0.7
Temperature Range	-40 to 85 °C [-40 to 185 °F]
Fiber Materials	PMMA
Sleeve Materials	PE (black)
Head Materials	Stainless steel
Fiber Distribution	Parallel arrangement
Opening Angle	55 degrees
Diameter Jacket	2.2 mm
Light Emission	Sidewise



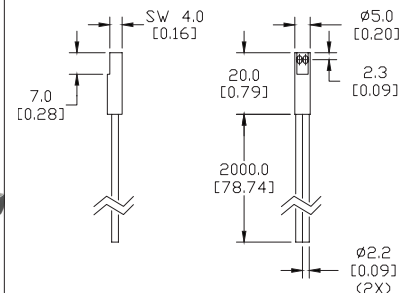
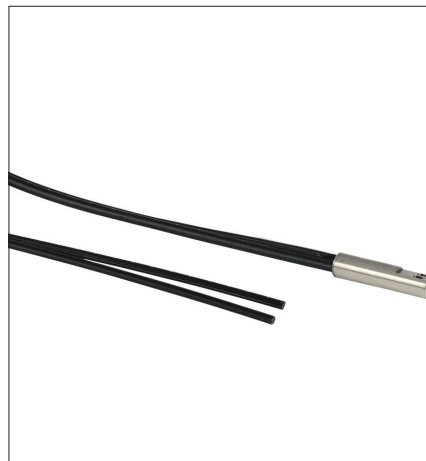
Cuttable Fiber Optic Cable

Dimensions

mm [inch]

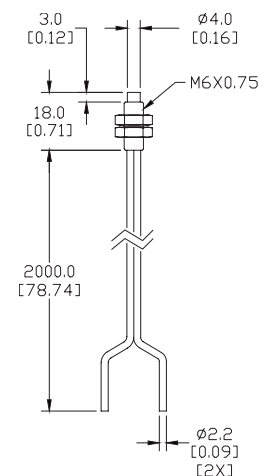
OPT2062 Diffuse (Reflex) Mode

Specifications	
Optical Fiber Core Ø	1mm
Sensing Distance with OPT series	50mm
Fiber Length (L)	2m
Fiber Bending Radius	20mm
Free Cut	Yes
Head Size	5mm
Thread Pitch	NA
Temperature Range	-40 to 85°C [-40 to 185°F]
Fiber Materials	PMMA
Sleeve Materials	PE (black)
Head Materials	Stainless steel
Fiber Distribution	Parallel arrangement
Opening Angle	55 degrees
Diameter Jacket	2.2 mm
Light Emission	Sidewise



OPT2063 Diffuse (Reflex) Mode

Specifications	
Optical Fiber Core Ø	1mm
Sensing Distance with OPT series	90mm
Fiber Length (L)	2m
Fiber Bending Radius	20mm
Free Cut	Yes
Head Size	M6
Thread Pitch	0.75
Temperature Range	-40 to 85°C [-40 to 185°F]
Fiber Materials	PMMA
Sleeve Materials	PE (black)
Head Materials	Nickel-plated brass
Fiber Distribution	Parallel arrangement
Opening Angle	55 degrees
Diameter Jacket	2.2 mm
Light Emission	Straight



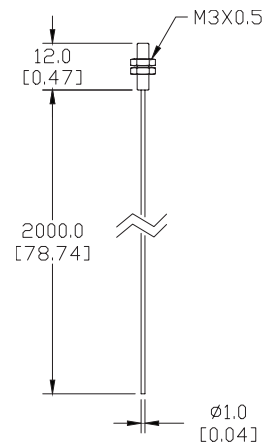
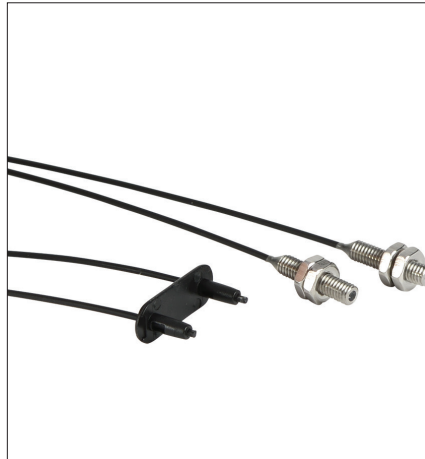
Cuttable Fiber Optic Cable

Dimensions

mm [inch]

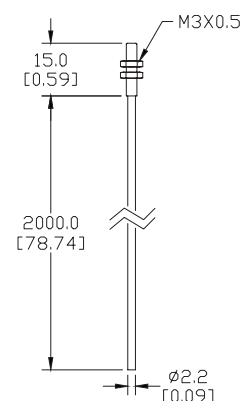
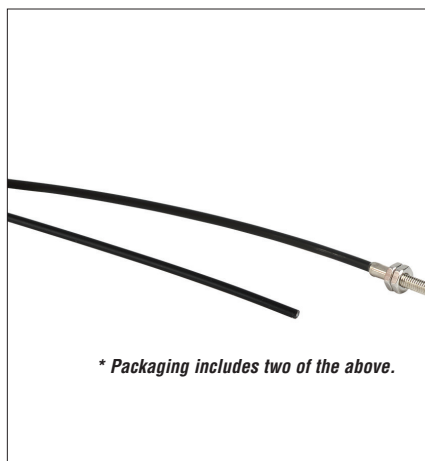
OPT2064 Through-Beam Mode

Specifications	
Optical Fiber Core Ø	0.5 mm
Sensing Distance with OPT series	160mm
Fiber Length (L)	2m
Fiber Bending Radius	15mm
Free Cut	Yes
Head Size	M3
Thread Pitch	0.5
Temperature Range	-40 to 85°C [-40 to 185°F]
Fiber Materials	PMMA
Sleeve Materials	PE (black)
Head Materials	Stainless steel
Fiber Distribution	Parallel arrangement
Opening Angle	55 degrees
Diameter Jacket	1mm
Light Emission	Straight



OPT2065 Through-Beam Mode

Specifications	
Optical Fiber Core Ø	1mm
Sensing Distance with OPT series	400mm
Fiber Length (L)	2m
Fiber Bending Radius	30mm
Free Cut	Yes
Head Size	M3
Thread Pitch	0.5
Temperature Range	-40 to 85°C [-40 to 185°F]
Fiber Materials	PMMA
Sleeve Materials	PE (black)
Head Materials	Nickel-plated brass
Fiber Distribution	Parallel arrangement
Opening Angle	55 degrees
Diameter Jacket	2.2 mm
Light Emission	Straight

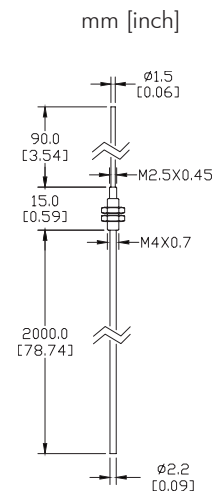
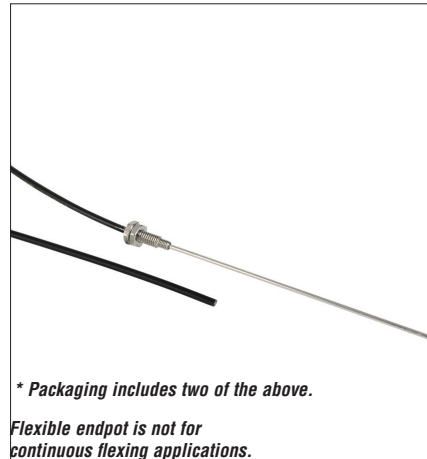


Cuttable Fiber Optic Cable

Dimensions

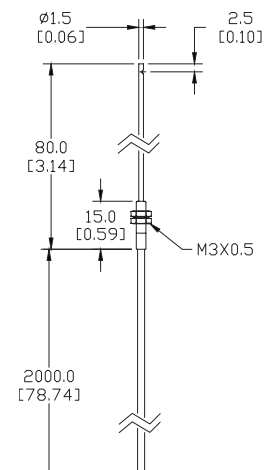
OPT2066 Through-Beam Mode

Specifications	
Optical Fiber Core Ø	1mm
Sensing Distance with OPT series	400mm
Fiber Length (L)	2m
Fiber Bending Radius	30mm
Free Cut	Yes
Head Size	M4
Thread Pitch	0.7
Temperature Range	-40 to 85 °C [-40 to 185 °F]
Fiber Materials	PMMA
Sleeve Materials	PE (black)
Head Materials	Stainless steel
Fiber Distribution	Parallel arrangement
Opening Angle	55 degrees
Diameter Jacket	2.2 mm
Light Emission	Straight
Flexible endpoint	Yes



OPT2067 Through-Beam Mode

Specifications	
Optical Fiber Core Ø	1mm
Sensing Distance with OPT series	200mm
Fiber Length (L)	2m
Fiber Bending Radius	30mm
Free Cut	Yes
Head Size	M3
Thread Pitch	0.5
Temperature Range	-40 to 85 °C [-40 to 185 °F]
Fiber Materials	PMMA
Sleeve Materials	PE (black)
Head Materials	Stainless steel
Fiber Distribution	Parallel arrangement
Opening Angle	55 degrees
Diameter Jacket	2.2 mm
Light Emission	Sidewise
Flexible endpoint	Yes



Cuttable Fiber Optic Cable

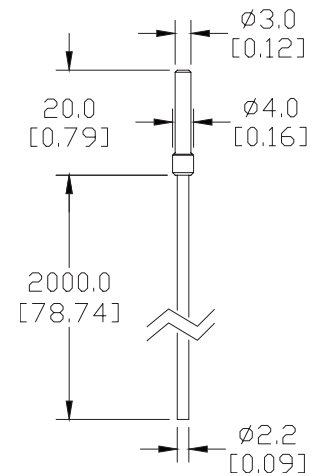
OPT2068 Through-Beam Mode

Specifications	
Optical Fiber Core Ø	1mm
Sensing Distance with OPT series	350mm
Fiber Length (L)	2m
Fiber Bending Radius	20mm
Free Cut	Yes
Head Size	3mm
Thread Pitch	NA
Temperature Range	-40 to 85°C [-40 to 185°F]
Fiber Materials	PMMA
Sleeve Materials	PE (black)
Head Materials	Stainless steel
Fiber Distribution	Parallel arrangement
Opening Angle	55 degrees
Diameter Jacket	2.2 mm
Light Emission	Straight



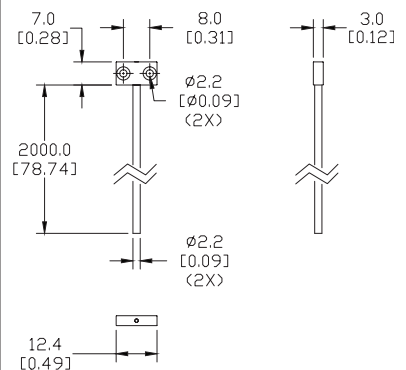
Dimensions

mm [inch]



OPT2069 Through-Beam Mode

Specifications	
Optical Fiber Core Ø	1mm
Sensing Distance with OPT series	350mm
Fiber Length (L)	2m
Fiber Bending Radius	20mm
Free Cut	Yes
Head Size	12mm flat
Thread Pitch	NA
Temperature Range	-40 to 85°C [-40 to 185°F]
Fiber Materials	PMMA
Sleeve Materials	PE (black)
Head Materials	Aluminum
Fiber Distribution	Parallel arrangement
Opening Angle	55 degrees
Diameter Jacket	2.2 mm
Light Emission	Straight



Cuttable Fiber Optic Cable

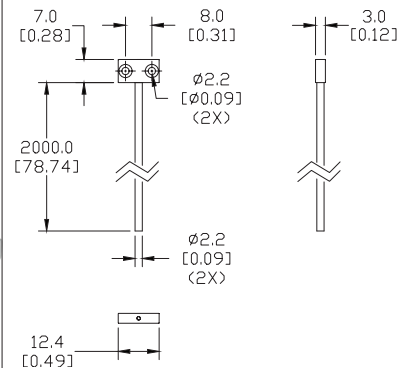
OPT2070 Through-Beam Mode

Specifications	
Optical Fiber Core Ø	1mm
Sensing Distance with OPT series	200mm
Fiber Length (L)	2m
Fiber Bending Radius	20mm
Free Cut	Yes
Head Size	NA
Thread Pitch	NA
Temperature Range	-40 to 85°C [-40 to 185°F]
Fiber Materials	PMMA
Sleeve Materials	PE (black)
Head Materials	Aluminum
Fiber Distribution	Parallel arrangement
Opening Angle	55 degrees
Diameter Jacket	2.2 mm
Light Emission	Sidewise



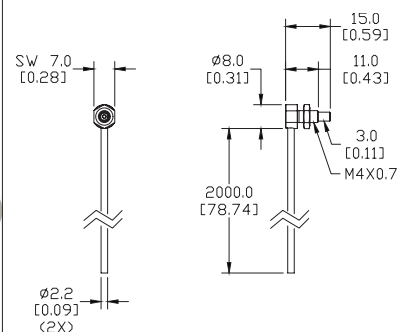
Dimensions

mm [inch]



OPT2071 Through-Beam Mode

Specifications	
Optical Fiber Core Ø	1mm
Sensing Distance with OPT series	250mm
Fiber Length (L)	2m
Fiber Bending Radius	2mm
Free Cut	Yes
Head Size	M4
Thread Pitch	0.7
Temperature Range	-40 to 85°C [-40 to 185°F]
Fiber Materials	PMMA
Sleeve Materials	PE (black)
Head Materials	Stainless steel
Fiber Distribution	Parallel arrangement
Opening Angle	55 degrees
Diameter Jacket	2.2 mm
Light Emission	Sidewise



Cuttable Fiber Optic Cable

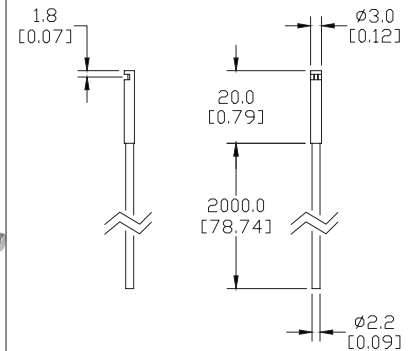
OPT2072 Through-Beam Mode

Specifications	
Optical Fiber Core Ø	1mm
Sensing Distance with OPT series	200mm
Fiber Length (L)	2m
Fiber Bending Radius	20mm
Free Cut	Yes
Head Size	3mm
Thread Pitch	NA
Temperature Range	-40 to 85°C [-40 to 185°F]
Fiber Materials	PMMA
Sleeve Materials	PE (black)
Head Materials	Stainless steel
Fiber Distribution	Parallel arrangement
Opening Angle	55 degrees
Diameter Jacket	2.2 mm
Light Emission	Sidewise



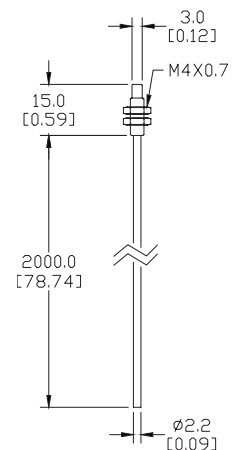
Dimensions

mm [inch]



OPT2073 Through-Beam Mode

Specifications	
Optical Fiber Core Ø	1mm
Sensing Distance with OPT series	220mm
Fiber Length (L)	2m
Fiber Bending Radius	2mm
Free Cut	Yes
Head Size	M4
Thread Pitch	0.7
Temperature Range	-40 to 85°C [-40 to 185°F]
Fiber Materials	PMMA
Sleeve Materials	PE (black)
Head Materials	Stainless steel
Fiber Distribution	Parallel arrangement
Opening Angle	55 degrees
Diameter Jacket	2.2 mm
Light Emission	Straight



Cuttable Fiber Optic Cable

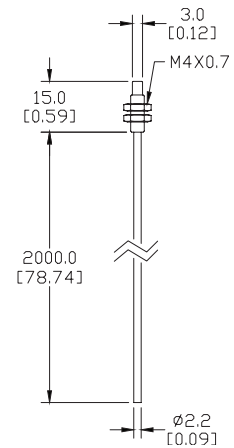
OPT2074 Through-Beam Mode

Specifications	
Optical Fiber Core Ø	1mm
Sensing Distance with OPT series	350mm
Fiber Length (L)	2m
Fiber Bending Radius	20mm
Free Cut	Yes
Head Size	M4
Thread Pitch	0.7
Temperature Range	-40 to 85°C [-40 to 185°F]
Fiber Materials	PMMA
Sleeve Materials	PE (black)
Head Materials	Stainless steel
Fiber Distribution	Parallel arrangement
Opening Angle	55 degrees
Diameter Jacket	2.2 mm
Light Emission	Straight



Dimensions

mm [inch]



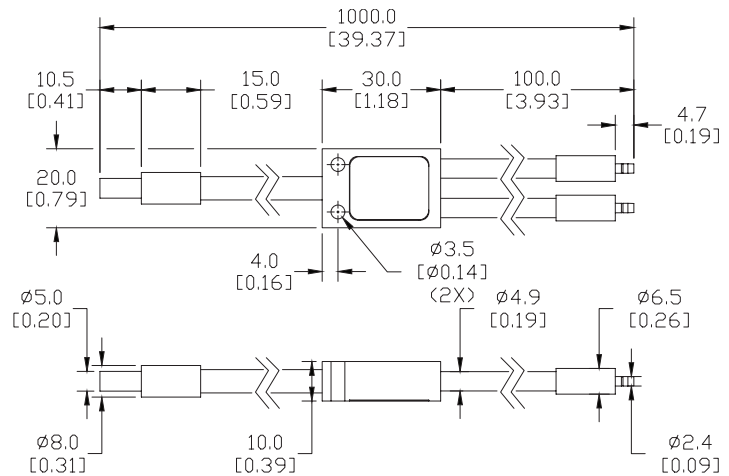
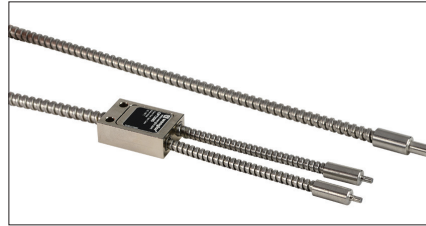
Glass Fiber Optic Cable

OPT2080 Diffuse (Reflex) Mode

Dimensions

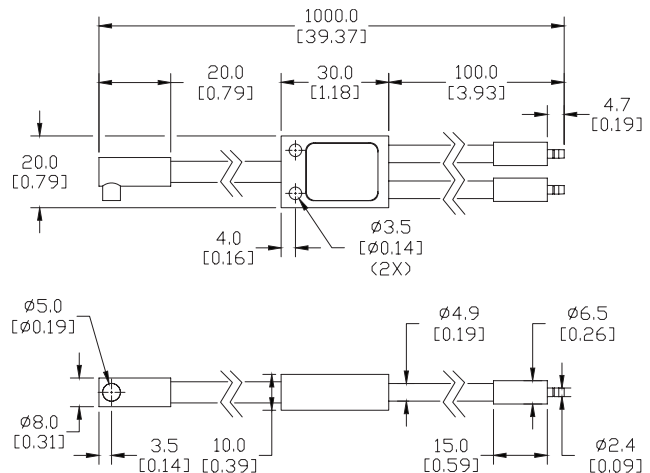
mm [inch]

Specifications	
Optical Fiber Core Ø	1.6 mm
Sensing Distance with OPT series	160mm
Fiber Length (L)	1m
Fiber Bending Radius	60mm
Free Cut	No
Head Size	5mm
Thread Pitch	NA
Temperature Range	-25 to 180 °C [-13 to 365°F]
Fiber Materials	Glass
Sleeve Materials	Stainless steel
Head Materials	Stainless steel
Fiber Diameter	50µm
Fiber Distribution	Statistic mixture
Opening Angle	68 degrees
Light Emission	Straight



OPT2081 Diffuse (Reflex) Mode

Specifications	
Optical Fiber Core Ø	1.6 mm
Sensing Distance with OPT series	160mm
Fiber Length (L)	1m
Fiber Bending Radius	50mm
Free Cut	No
Head Size	5mm
Thread Pitch	NA
Temperature Range	-25 to 180 °C [-13 to 365°F]
Fiber Materials	Glass
Sleeve Materials	Nickel-plated brass
Head Materials	Aluminum
Fiber Diameter	50µm
Fiber Distribution	Statistic mixture
Opening Angle	68 degrees
Light Emission	Sidewise



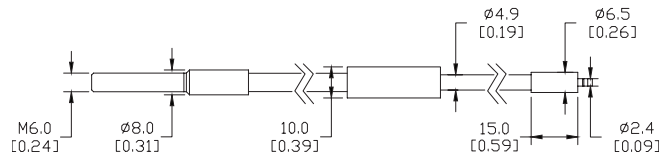
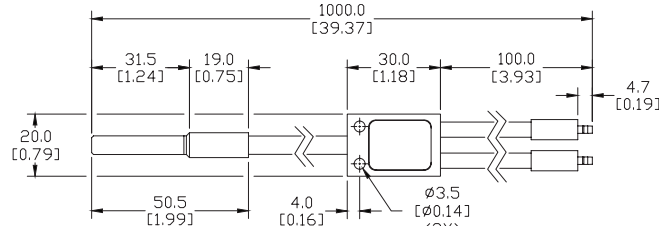
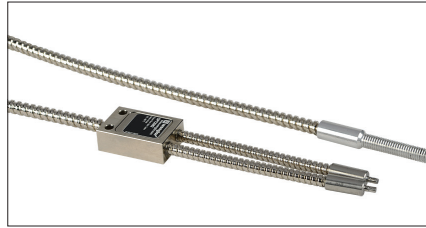
Glass Fiber Optic Cable

OPT2082 Diffuse (Reflex) Mode

Dimensions

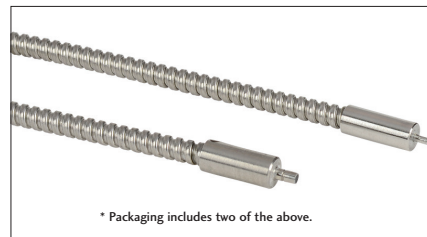
mm [inch]

Specifications	
Optical Fiber Core Ø	1.6 mm
Sensing Distance with OPT series	160mm
Fiber Length (L)	1m
Fiber Bending Radius	50mm
Free Cut	No
Head Size	M6
Thread Pitch	1.0
Temperature Range	-25 to 180 °C (-13 to 356 °F)
Fiber Materials	Glass
Sleeve Materials	Nickel-plated brass
Head Materials	Aluminum
Fiber Diameter	50µm
Fiber Distribution	separated bundles
Opening Angle	68 degrees
Light Emission	Straight

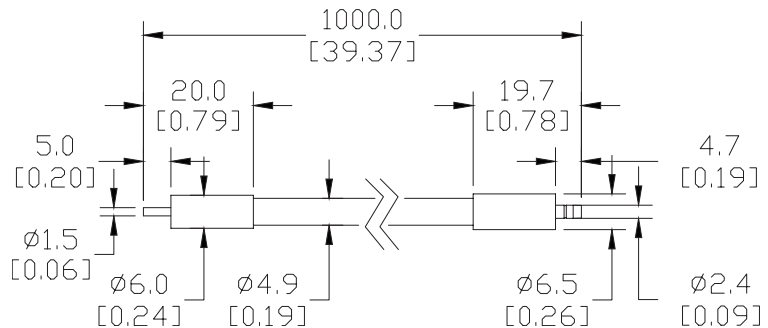


OPT2083 Through-Beam Mode

Specifications	
Optical Fiber Core Ø	0.8 mm
Sensing Distance with OPT series	126mm
Fiber Length (L)	1m
Fiber Bending Radius	50mm
Free Cut	No
Head Size	1.2 mm
Thread Pitch	NA
Temperature Range	-25 to 180 °C (-13 to 356 °F)
Fiber Materials	Glass
Sleeve Materials	Stainless steel
Head Materials	Stainless steel
Fiber Diameter	50µm
Fiber Distribution	Parallel arrangement
Opening Angle	68 degrees
Light Emission	Straight



* Packaging includes two of the above.



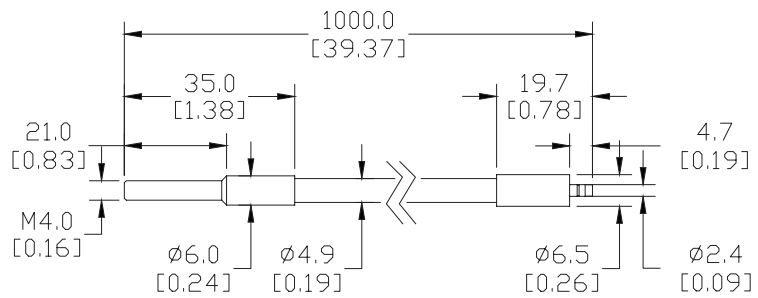
Glass Fiber Optic Cable

OPT2084 Through-Beam Mode

Dimensions

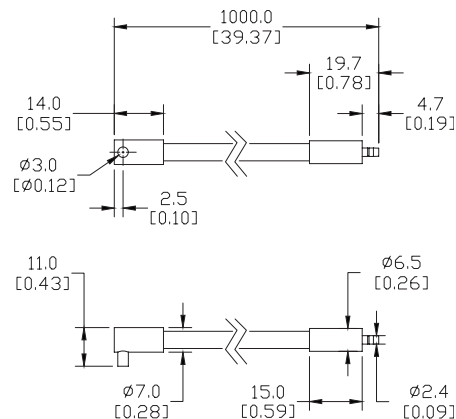
mm [inch]

Specifications	
Optical Fiber Core Ø	1.1 mm
Sensing Distance with OPT series	380mm
Fiber Length (L)	1m
Fiber Bending Radius	45mm
Free Cut	No
Head Size	M4
Thread Pitch	0.7
Temperature Range	-25 to 180 °C [-13 to 365°F]
Fiber Materials	Glass
Sleeve Materials	Nickel-plated brass
Head Materials	Aluminum
Fiber Diameter	50µm
Fiber Distribution	Parallel arrangement
Opening Angle	68 degrees
Light Emission	Straight



OPT2085 Through-Beam Mode

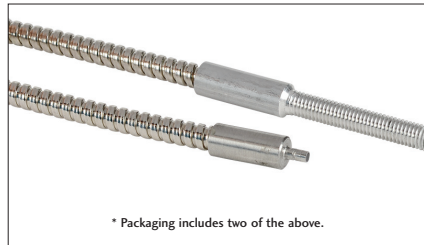
Specifications	
Optical Fiber Core Ø	1.1 mm
Sensing Distance with OPT series	380mm
Fiber Length (L)	1m
Fiber Bending Radius	45mm
Free Cut	No
Head Size	Ø3 mm
Thread Pitch	0.7
Temperature Range	-25 to 180 °C [-13 to 365°F]
Fiber Materials	Glass
Sleeve Materials	Nickel-plated brass
Head Materials	Aluminum
Fiber Diameter	50µm
Fiber Distribution	Parallel arrangement
Opening Angle	68 degrees
Light Emission	Sidewise



Glass Fiber Optic Cable

OPT2086 Through-Beam Mode

Specifications	
Optical Fiber Core Ø	1.6 mm
Sensing Distance with OPT series	480mm
Fiber Length (L)	1m
Fiber Bending Radius	45mm
Free Cut	No
Head Size	M5
Thread Pitch	0.8
Temperature Range	-25 to 180 °C [-13 to 365°F]
Fiber Materials	Glass
Sleeve Materials	Nickel-plated brass
Head Materials	Aluminum
Fiber Diameter	50µm
Fiber Distribution	Parallel arrangement
Opening Angle	68 degrees
Light Emission	Straight



Dimensions

mm [inch]

