



Pneumatic Selector Switches, 22mm Lever

Knob selector switches



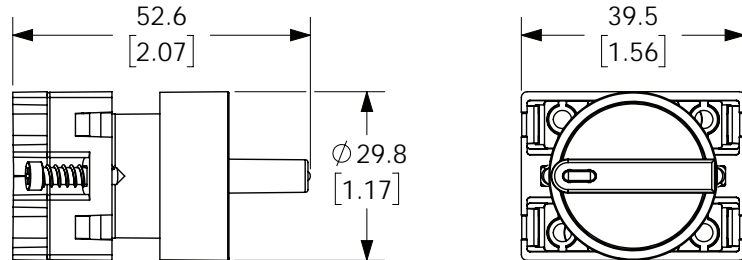
ECP3300

| Part Number | Color | Description | Weight (lbs) | Price |
|----------------|-------|---|--------------|-------|
| ECP3300 | Black | NITRA pneumatic selector switch, IP65, 22mm, 2-position, maintained, plastic base, plastic bezel, operator only, Operator: black, knob, 30mm, round, plastic. | 0.09 | |
| ECP3310 | Black | NITRA pneumatic selector switch, IP65, 22mm, 2-position, spring return from right, plastic base, plastic bezel, operator only, Operator: black, knob, 30mm, round, plastic. | 0.09 | |
| ECP3320 | Black | NITRA pneumatic selector switch, IP65, 22mm, 3-position, maintained, plastic base, plastic bezel, operator only, Operator: black, knob, 30mm, round, plastic. | 0.09 | |
| ECP3330 | Black | NITRA pneumatic selector switch, IP65, 22mm, 3-position, spring return to center from right or left, plastic base, plastic bezel, operator only, Operator: black, knob, 30mm, round, plastic. | 0.09 | |



ECP3320

Dimensions mm [inches]



Long lever selector switches



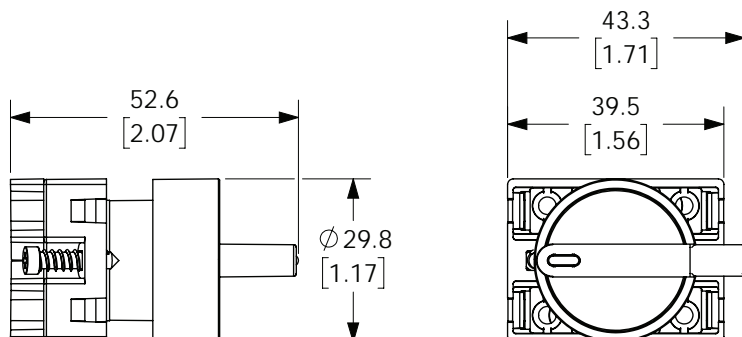
ECP3350

| Part Number | Color | Description | Weight (lbs) | Price |
|----------------|-------|--|--------------|-------|
| ECP3350 | Black | NITRA pneumatic selector switch, IP65, 22mm, 2-position, maintained, plastic base, plastic bezel, operator only, Operator: black, lever, 30mm, round, plastic. | 0.09 | |
| ECP3360 | Black | NITRA pneumatic selector switch, IP65, 22mm, 2-position, spring return from right, plastic base, plastic bezel, operator only, Operator: black, lever, 30mm, round, plastic. | 0.09 | |
| ECP3370 | Black | NITRA pneumatic selector switch, IP65, 22mm, 3-position, maintained, plastic base, plastic bezel, operator only, Operator: black, lever, 30mm, round, plastic. | 0.09 | |
| ECP3380 | Black | NITRA pneumatic selector switch, IP65, 22mm, 3-position, spring return to center from right or left, plastic base, plastic bezel, operator only, Operator: black, lever, 30mm, round, plastic. | 0.09 | |



ECP3370

Dimensions mm [inches]



See our website for complete Engineering drawings.



Pneumatic Key Selector Switches, 22mm

Key selector switches



ECP3420



ECP3470

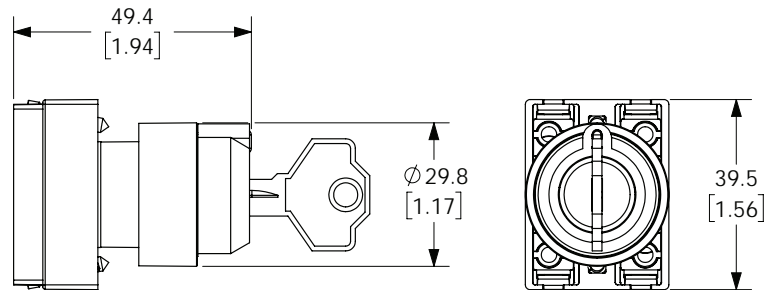
| Part Number | Color | Description | Weight (lbs) | Price |
|-------------|-------|---|--------------|-------|
| ECP3420 | Black | NITRA pneumatic selector switch, IP65, 22mm, 2-position, maintained, key removable in all positions, plastic base, plastic bezel, operator only, Operator: black, key, 30mm, round, plastic. | 0.17 | |
| ECP3430 | Black | NITRA pneumatic selector switch, IP65, 22mm, 2-position, spring return from right, key removable left position, plastic base, plastic bezel, operator only, Operator: black, key, 30mm, round, plastic. | 0.17 | |
| ECP3470 | Black | NITRA pneumatic selector switch, IP65, 22mm, 3-position, maintained, key removable in all positions, plastic base, plastic bezel, operator only, Operator: black, key, 30mm, round, plastic. | 0.17 | |



Note: Keyed switches come with two keys. All plastic 22mm keyed switches are keyed the same. Replacement keys are available. Order part no. ECX1067-2 (pkg. of 2). Keys for plastic 22mm keyed switches are not compatible with Cutter-Hammer key switches.

Dimensions

mm [inches]



Pneumatic switch accessory - support base with adapters

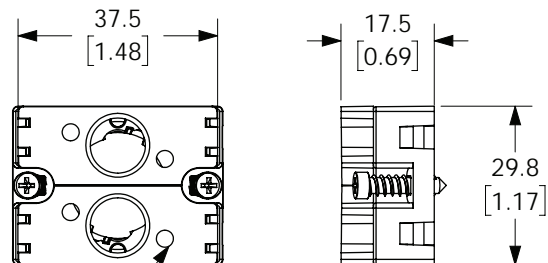


ECP3029-02

| Part Number | Description | Weight (lbs) | Price |
|-------------|---|--------------|-------|
| ECP3029-02 | NITRA valve adapter block, replacement, plastic. For use with ECP series pneumatic pushbuttons. | 0.03 | |

Dimensions

mm [inches]



M3 THRU HOLE
SCREWS INCLUDED

Note: base sold as three piece kit.

See our website for complete Engineering drawings.



Pneumatic Pushbuttons, 22mm

NITRA® pneumatic pushbuttons are all plastic and come with adapters to allow mounting of up to two 3-way valves, or one valve and one to three contact blocks. They fit in a standard 22.5mm hole, just like electrical pushbuttons.

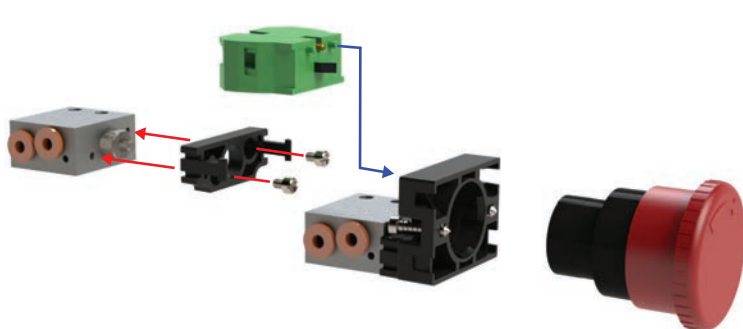
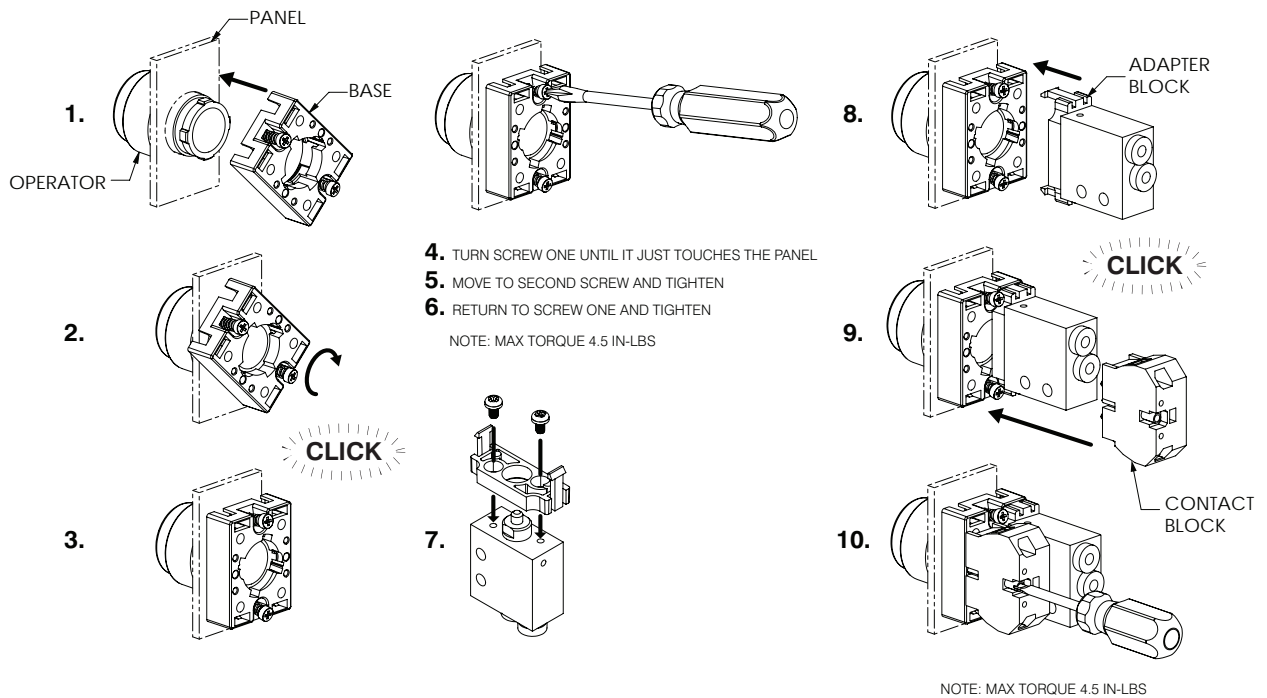
Features

- Plastic bezel and button
- Valve adapters and mounting screws included
- Valves sold separately
- Bases will work with GCX plastic operators and **only** the three ECX Series contact blocks shown below



| Pushbutton Specifications | |
|------------------------------|---|
| Operating Temperature | -13 to 158°F (-25 to +70°C) |
| Storage Temperature | -40 to 176°F (-40 to +80°C) |
| Mechanical Life | 1,000,000 cycles |
| Switching Cycles | 3600 cycles/hr |
| Mounting (Valve) | (4) M3x5 valve mounting screws included |
| Protection | IP65 after installation |
| Approvals | CE |

Adapter Block Installation



ECX1040-2



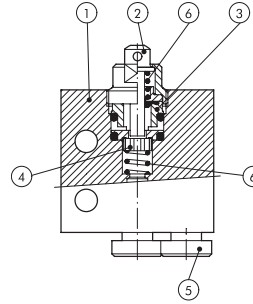
ECX1042-2



ECX1030-2

Pneumatic Manual Valve Materials

1. Aluminum valve body
2. Chemically nickel-plated brass button
3. Brass distance plates
4. NBR gaskets
5. Stainless steel, brass and plastic push-to-connect cartridges
6. Stainless steel springs



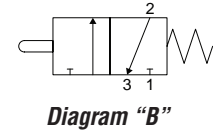
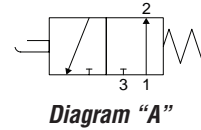
Pneumatic Metal Plunger Valves

These pneumatic valves are used with Nitra pneumatic pushbuttons and switches

Features

- Available in normally open or normally closed
- 5/32" [4mm] push-to-connect ports located on side or end

Valve Symbols



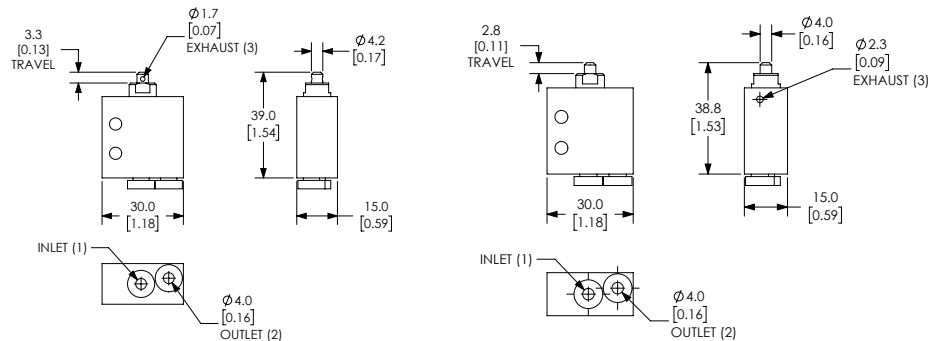
EVP-CA-PL



EVP-CS-PL

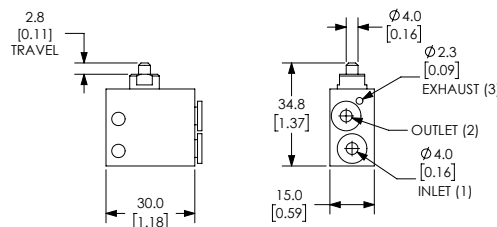
| Specifications | | | | |
|----------------------|---|---|---|---|
| Models | EVP-CA-PL | EVP-AA-PL | EVP-CS-PL | EVP-AS-PL |
| Price | | | | |
| Weight (lbs) | 0.1 | 0.1 | 0.1 | 0.1 |
| Valve Type | 2-port (3-way) 2-position | | | |
| Acting | Metal plunger, normally closed, spring return | Metal plunger, normally open, spring return | Metal plunger, normally closed, spring return | Metal plunger, normally open, spring return |
| Diagram | B | A | B | A |
| Port Size | Axial ports 5/32in (4mm) | | Side ports 5/32in (4mm) | |
| Flow (Cv) | 0.13 | 0.13 | 0.13 | 0.13 |
| Fluid | Air (to be filtered by 40µ filter element) | | | |
| Min. / Max. Pressure | 7.25 to 145 psi (0.5 to 10 bar) | | | |
| Temperature | 14°F to 140°F (-10°C to 60°C) | | | |
| Lubrication | Not Required | | | |
| Body | Aluminum | | | |
| Protection | IP65 | | | |

Dimensions mm [inches]



EVP-CA-PL

EVP-AA-PL



EVP-CS-PL / EVP-AS-PL

See our website [www.nitra.com](#) for complete Engineering drawings.