

Pneumatic Metal Plunger Valves with metal roller

Features

- These valves function as pneumatic limit switches
- Available in normally open or normally closed
- 5/32" [4mm] push-to-connect ports located on side or end



EVP-CA-R



EVP-AS-R

Valve Symbols

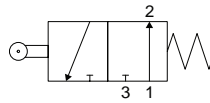


Diagram "C"

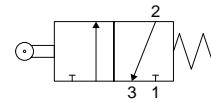
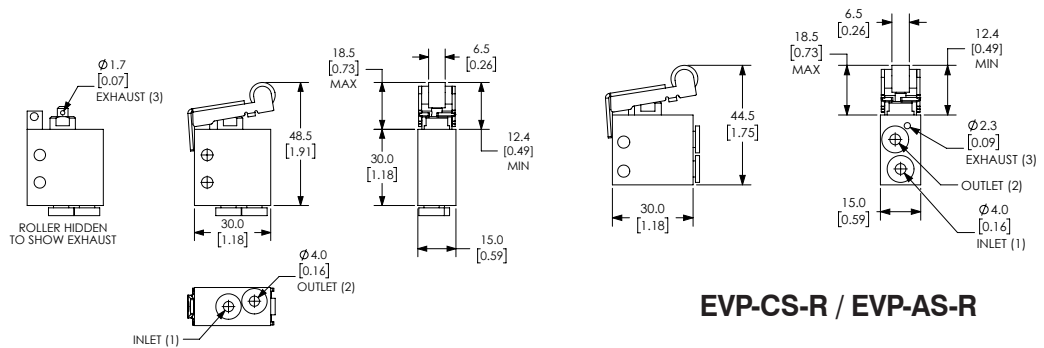


Diagram "D"

Specifications				
Models	EVP-CA-R	EVP-AA-R	EVP-CS-R	EVP-AS-R
Price				
Weight (lbs)	0.1	0.1	0.1	0.1
Valve Type	2-port (3-way) 2-position			
Acting	Metal plunger with metal roller, normally closed, spring return	Metal plunger with metal roller, normally open, spring return	Metal plunger with metal roller, normally closed, spring return	Metal plunger with metal roller, normally open, spring return
Diagram	D	C	D	C
Port Size	Axial ports 5/32in (4mm)		Side ports 5/32in (4mm)	
Flow (Cv)	0.13	0.13	0.13	0.13
Fluid	Air (to be filtered by 40µ filter element)			
Min. / Max. Pressure	7.25 to 145 psi (0.5 to 10 bar)			
Temperature	14°F to 140°F (-10°C to 60°C)			
Lubrication	Not Required			
Body	Aluminum			
Protection	IP65			

Dimensions

mm [inches]



EVP-CA-R / EVP-AA-R

EVP-CS-R / EVP-AS-R

See our website for complete Engineering drawings.