

Pneumatic Metal Plunger Valves for thru-panel mounting

Features

- These valves function as pneumatic limit switches
- Available in normally closed
- 5/32" [4mm] push-to-connect ports located on side or end
- Fits 1/2" diameter hole in panel



EVP-CA-PL-PNL



EVP-CS-PL-PNL

Valve Symbol

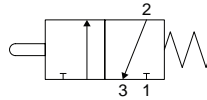
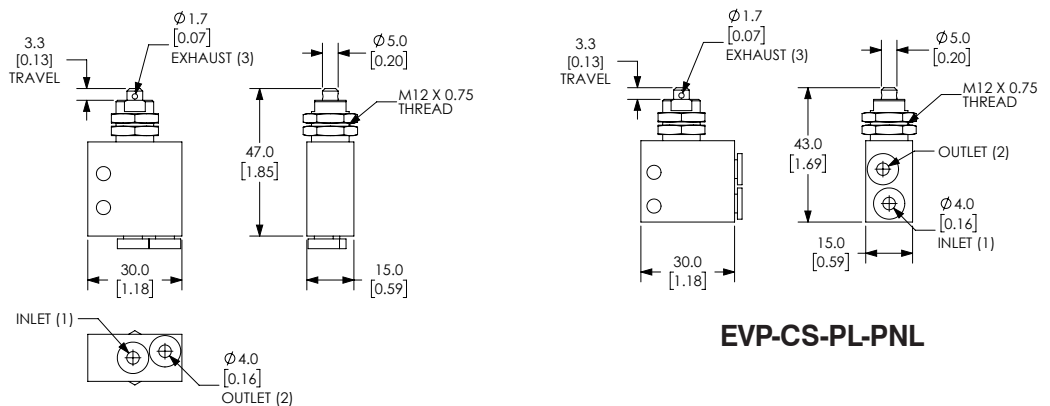


Diagram "B"

Specifications		
Models	EVP-CA-PL-PNL	EVP-CS-PL-PNL
Price		
Weight (lbs)	0.1	0.1
Valve Type	2-port (3-way) 2-position	
Acting	Metal plunger, normally closed, spring return, through panel mount	Metal plunger, normally closed, spring return, through panel mount
Diagram	B	B
Port Size	Axial ports 5/32in (4mm)	Side ports 5/32in (4mm)
Flow (Cv)	0.13	0.13
Fluid	Air (to be filtered by 40µ filter element)	
Min. / Max. Pressure	7.25 to 145 psi (0.5 to 10 bar)	
Temperature	14°F to 140°F (-10°C to 60°C)	
Lubrication	Not Required	
Body	Aluminum	
Protection	IP65	

Dimensions mm [inches]



EVP-CA-PL-PNL

EVP-CS-PL-PNL

See our website for complete Engineering drawings.