

pro^{sense}® DPG1 Series Digital Pressure Gauges




ProSense DPG1 digital pressure gauges are ideal for industrial and general purpose applications requiring an accurate and reliable device with easy to read digital display.

Features

- ±0.5% accuracy
- 2-button operation
- Backlight display turns on when on/off button is pressed
- Option for continuous peak pressure indication
- Continuous on display option or timeout to save battery life
- Wide variety of pressure unit selections
- Reset to zero feature
- Powered via 2 x AAA batteries (included)
- Rubber boot for added protection (included)
- 316L welded diaphragm seal
- ASME B40.100 compliant

DPG1 Series Digital Pressure Gauges				
Part Number	Scale	Pcs/Pkg	Wt (lb)	Price
DPG1-15	0 to 15 psig	1	0.7	
DPG1-30	0 to 30 psig	1	0.7	
DPG1-60	0 to 60 psig	1	0.7	
DPG1-100	0 to 100 psig	1	0.7	
DPG1-200	0 to 200 psig	1	0.7	
DPG1-300	0 to 300 psig	1	0.7	
DPG1-600	0 to 600 psig	1	0.7	
DPG1-1000	0 to 1000 psig	1	0.7	
DPG1-3000	0 to 3000 psig	1	0.7	
DPG1-5000	0 to 5000 psig	1	0.7	

 **CHECK THE CHEMICAL COMPATIBILITY OF THE SENSOR'S PARTS WITH THE MEDIUM TO BE MEASURED**

DPG1 Series Digital Pressure Gauges			
Part Number	Operating Pressure	Proof Pressure	Burst Pressure
DPG1-15	0 to 15 psig	30 psig	45 psig
DPG1-30	0 to 30 psig	60 psig	90 psig
DPG1-60	0 to 60 psig	120 psig	180 psig
DPG1-100	0 to 100 psig	200 psig	300 psig
DPG1-200	0 to 200 psig	400 psig	600 psig
DPG1-300	0 to 300 psig	600 psig	900 psig
DPG1-600	0 to 600 psig	1200 psig	1800 psig
DPG1-1000	0 to 1000 psig	2000 psig	3000 psig
DPG1-3000	0 to 3000 psig	6000 psig	9000 psig
DPG1-5000	0 to 5000 psig	10000 psig	15000 psig



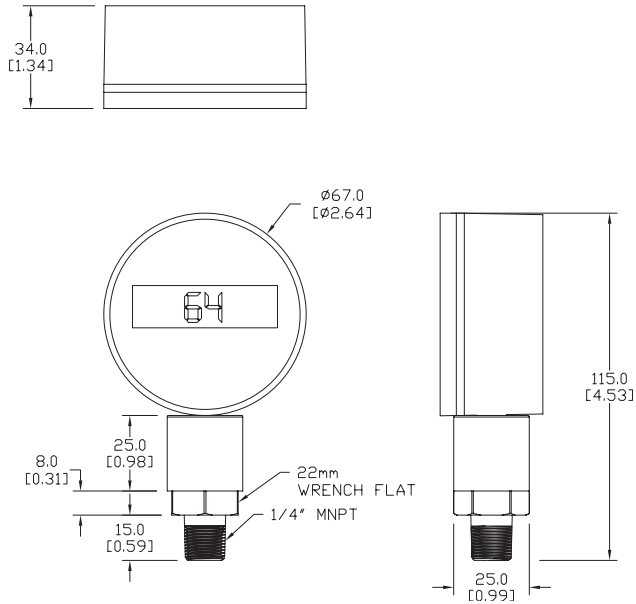
WARNING! AVOID STATIC AND DYNAMIC OVERPRESSURE EXCEEDING THE SPECIFIED PROOF PRESSURE. EXCEEDING THE BURSTING PRESSURE FOR EVEN A SHORT TIME CAN CAUSE DESTRUCTION OF THE UNIT AND POSSIBLE INJURIES! NOT FOR USE IN VACUUM APPLICATIONS. NEGATIVE PRESSURE CAN DAMAGE GAUGE.

DPG1 Series Digital Pressure Gauge Specifications	
Case Size	2.5" (63mm)
Case Material	ABS (acrylonitrile butadiene styrene)
Rubber Boot	Silicone rubber
LCD Display	2" x 3/4" (48mm x 16mm)
Process Connection	1/4" NPT
Sensor	Piezo, welded
Wetted Parts	304SS, 316L
Operating Life	1 million cycles
Power Supply	2 x AAA battery (1.5V) - included/installed
Battery Life	2 years (auto shut-off mode), 2 weeks if on continuously
Power Mode	Auto or manual shut-off
Display Digits	4-digits, 12.5 mm character height
Pressure Unit Selection	psi, mH ₂ O, mmHg, mbar, kPa range ≤ 100psig psi, bar, kg/cm ² , MPa, atm ranges ≥ 200psig
Response Time	≤ 3Hz display refresh rate
Proof / Burst Pressure	200% / 300% of full scale
Operating Temperature	14°F to 122°F (-10°C to 50°C)
Storage Temperature	-4°F to 167°F (-20°C to 75°C)
Accuracy	±0.5% of full scale
Enclosure Rating	IP60
Approvals*	None

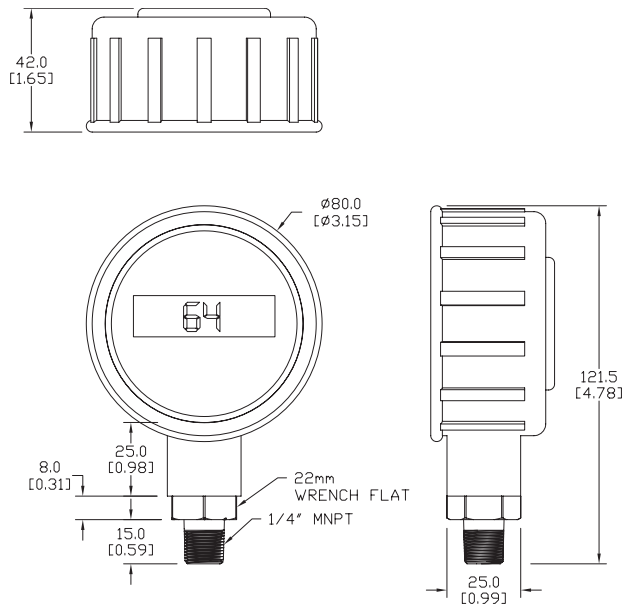
* To obtain the most current agency approval information, see the Agency Approval Checklist section on the specific part number's web page

pro^{ense}® DPG1 Series Digital Pressure Gauges

Dimensions mm [inches]



DPG1 Gauges without Rubber Boot Installed



DPG1 Gauges with Rubber Boot Installed

See our website [_____](#) for complete Engineering drawings.