



# EPS Series Digital Pressure Sensors - Accessories



Part No. EPS-CV

EPS Series Digital Pressure Sensors - Accessories			
Part No.	Description	Price	Wt (lb)
EPS-CV	ProSense protective cover, for use with ProSense EPS series digital pressure sensors.		0.1
EPS-BKT1	ProSense mounting bracket, for use with ProSense EPS series digital pressure sensors.		0.1

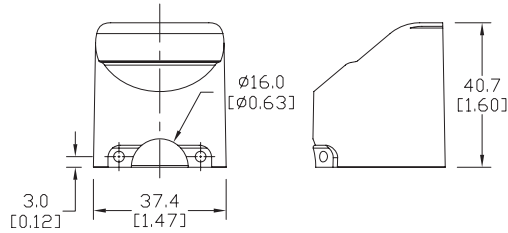
EPS Series Digital Pressure Sensor Accessory Specifications	
Part No.	Material
EPS-CV	PP (polypropylene)
EPS-BKT1	Fiber and mineral reinforced polyamide



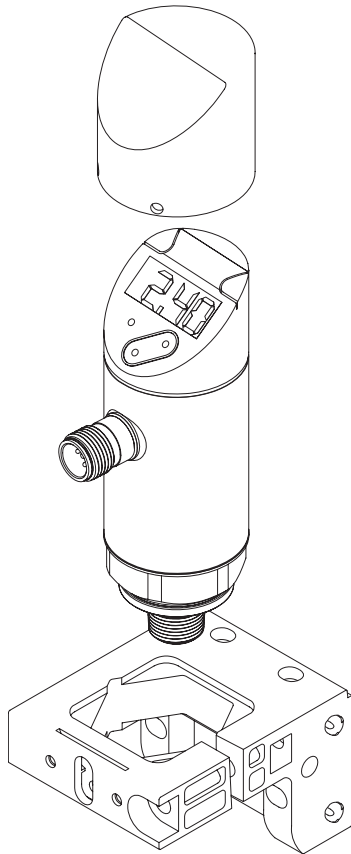
Part No. EPS-BKT1

## Dimensions

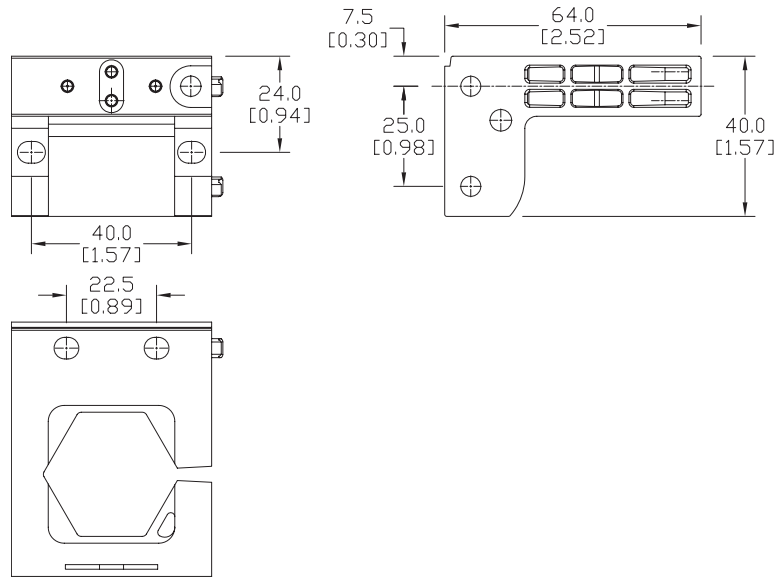
mm [inches]



Part No. EPS-CV



Assembly Example



Part No. EPS-BKT1

See our website [\\_\\_\\_\\_\\_](#) for complete Engineering drawings.