

# PMW Series Inductive Proximity Sensors

## M12 (12mm) stainless steel – DC



- Twelve models available
- Low cost/high performance
- LED status indicators are visible at a wide angle.
- Axial cable or M12 quick-disconnect models
- Purchase cable separately (for quick-disconnect models).
- Lifetime warranty

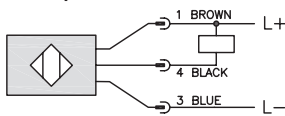


PMW Series M12 DC Inductive Prox Selection Chart								
Part Number	Price	Sensing Range	Mounting	Output State	Logic	Connection	Wiring	Dimensions
<b>Standard Distance</b>								
<b>PMW-ON-1H</b>		2 mm (0.08 in)	Flush	N.O./N.C.	NPN	M12 (12mm) connector	Diagram 3	Figure 1
<b>PMW-OP-1H</b>					PNP	M12 (12mm) connector	Diagram 4	Figure 1
<b>PMW-ON-2H</b>		4 mm (0.157 in)	Non-flush	N.O./N.C.	NPN	M12 (12mm) connector	Diagram 3	Figure 1
<b>PMW-OP-2H</b>					PNP	M12 (12mm) connector	Diagram 4	Figure 1
<b>Extended Distance</b>								
<b>PMW-AN-2H</b>		6 mm (0.236 in)	Non-flush	N.O.	NPN	M12 (12mm) connector	Diagram 1	Figure 5
<b>Triple Distance</b>								
<b>PMW-AN-5A</b>		6 mm (0.236 in)	Flush	N.O.	NPN	2m (6.5') axial cable	Diagram 1	Figure 2
<b>PMW-AP-5A</b>					PNP	2m (6.5') axial cable	Diagram 2	Figure 2
<b>PMW-AN-5H</b>					NPN	M12 (12mm) connector	Diagram 1	Figure 3
<b>PMW-AP-5H</b>					PNP	M12 (12mm) connector	Diagram 2	Figure 3

## Wiring diagrams

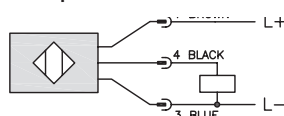
**Diagram 1**

NPN Output



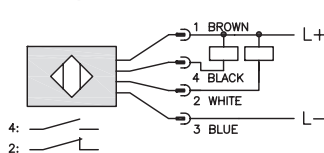
**Diagram 2**

PNP Output



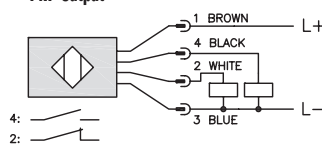
**Diagram 3**

NPN Output



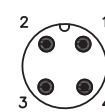
**Diagram 4**

PNP Output



## Connector

M12 connector



*Note: Pin 2 is not present on some models.*

# PMW Series Inductive Proximity Sensors

Specifications	Standard Distance Models	Extended Distance Models	Triple Distance Models	PMW-A*-1H	PMW-A*-2H
<b>Mounting Type</b>	Flush	Non-flush	Flush	Flush	Non-flush
<b>Nominal Sensing Distance</b>	2mm (0.08 in) <sup>1</sup>	4mm (0.157 in) <sup>1</sup>	6mm (0.236 in)	3mm (0.118 in)	6mm (0.236 in)
<b>Operating Distance</b>	NA			0 to 2.4 mm (0.09 in)	0 to 4.9 mm (0.19 in)
<b>Material Correction Factors</b>	See the <a href="#">Material influence table</a>				
<b>Output Type</b>	NPN or PNP and N.O./N.C. complementary		NPN or PNP, N.O. only	NPN or PNP, N.O. only	
<b>Operating Voltage</b>	10 to 30 VDC			10 to 36 VDC	
<b>No-load Supply Current</b>	≤ 15 mA		≤ 10 mA	≤ 20 mA	≤ 25 mA
<b>Operating (Load) Current</b>	≤ 100 mA		≤ 200 mA	≤ 100 mA	≤ 100 mA
<b>Off-state (Leakage) Current</b>	≤ 1 0µA			≤ 100µA	
<b>Voltage Drop</b>	≤ 1.2 V		≤ 2.0 V	< 2.5 V	
<b>Switching Frequency</b>	2kHz		400Hz	100Hz	500Hz
<b>Differential Travel (% of Nominal Distance)</b>	2 to 10%		≤ 15%	≤ 20%	
<b>Repeat Accuracy</b>	≤ 5%			Not available	
<b>Ripple</b>	≤ 10%		≤ 20%	Not available	
<b>Time Delay Before Availability (tv)</b>	100ms		≤ 10 ms	negligible	
<b>Reverse Polarity Protection</b>	Yes				
<b>Short-circuit Protection</b>	Yes				
<b>Operating Temperature / Temperature Drift</b>	-25° to 70°C (-13° to 158°F) / 10%Sr			-25° to 70°C (-13° to 158°F) / 20%Sr	0° to 100°C (32° to 212°F)
<b>Protection Degree (DIN 40050)</b>	IEC IP67/68		IEC IP67 <sup>2</sup> (connector/IP68 <sup>2</sup> (cable))	IEC IP67/68	IEC IP65/67/68/69K
<b>Indication/Switch Status</b>	Yellow (N.O. output energized)				
<b>Housing Material</b>	Stainless steel		Stainless steel	Stainless steel. 2 lock nuts included.	
<b>Sensing Face Material</b>	PPS		Stainless steel	Stainless steel	
<b>Shock/Vibration</b>	See <a href="#">Proximity Sensor Terminology</a>				
<b>Tightening Torque</b>	10 Nm (7.25 lb-in)			20 Nm (14.5 lb-in)	
<b>Weight</b>	35g (1.23 oz)		89g (3.14 oz)	29g (1.023 oz.)	30g (1.058 oz.)
<b>Connections</b>	M12 connector with gold-plated contacts				
<b>Agency Approvals</b>	NA		UL file E328811, RoHS	cULus file E328811, CE, RoHS	

Notes: <sup>1</sup>With 12 x 12mm FE360 target <sup>2</sup>Fully submersible to 290 psi.

## Dimensions mm[inches]

Figure 1

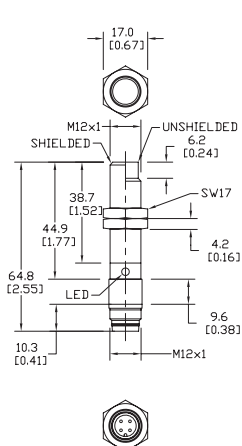


Figure 2

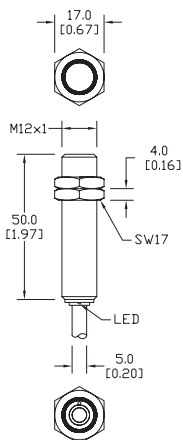


Figure 3

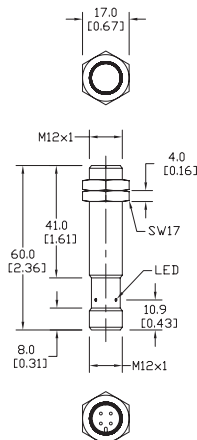


Figure 4

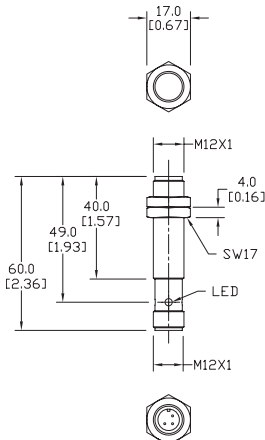
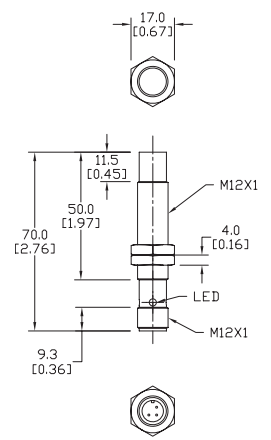


Figure 5



Note: Pin 2 is not present on some models.

# Accessories for 12mm Sensors

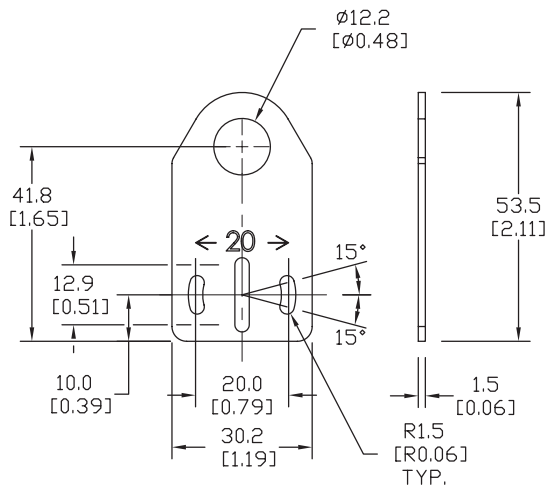
## Axial Mounting Bracket

Mounting bracket, axial, available in zinc-plated steel or 316L stainless steel. For use with 12mm sensors. Has two mounting holes (use 3mm screws) and allows the rotation of an optical axis for right-angle adapter sensors. Hexagonal nuts not included.

Accessories for 12mm Sensors			
Part Number	Price	Description	Weight lb (g)
<b>ST12A</b>		Mounting bracket, axial, zinc plated steel. For use with 12mm sensors.	0.03
<b>ST12A7W</b>		Mounting bracket, axial, 316L stainless steel. For use with 12mm sensors.	0.03

## Dimensions

mm [inches]



ST12A

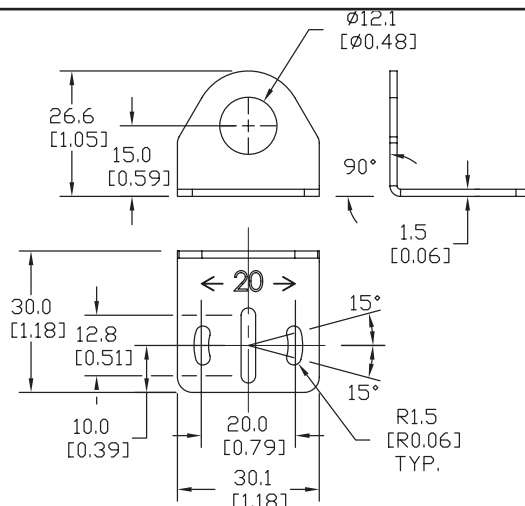
## Right-angle Mounting Bracket

Mounting bracket, right-angle, zinc-plated steel or 316L stainless steel. For use with 12mm sensors. Has two mounting holes (use 3mm screws) and allows the rotation of an optical axis for axial sensors. Hexagonal screws not included.

Accessories for 12mm Sensors			
Part Number	Price	Description	Weight lb (g)
<b>ST12C</b>		Mounting bracket, right-angle, zinc plated steel. For use with 12mm sensors.	0.03 (13.6)
<b>ST12C7W</b>		Mounting bracket, right-angle, 316L stainless steel. For use with 12mm sensors.	0.03 (13.6)

## Dimensions

mm [inches]



ST12C

# Accessories for 12mm Sensors

## Right-angle Mounting Brackets

Mounting bracket, right-angle, fixed insertion stop adjustment, plastic. For use with 12mm sensors. Available with or without fixed insertion stop.

Accessories for 12mm Sensors				
Part Number	Price	Description	Drawing Link	Weight lb (g)
<a href="#">OPT2102</a>		Wenglor mounting bracket, right-angle, fixed insertion stop adjustment, plastic. For use with 12mm sensors.	<a href="#">PDF</a>	0.05 (22.7)
<a href="#">OPT2103</a>		Wenglor mounting bracket, right-angle, plastic. For use with 12mm sensors.	<a href="#">PDF</a>	0.05 (22.7)



OPT2102, OPT2103

## Right-angle Swivel Mounting Systems

Mounting bracket, right-angle swivel, 360 degree vertical and horizontal adjustment, 12mm rod mount. For use with 12mm sensors. Available in all stainless steel or with an aluminum head and stainless steel mounting plate.

Accessories for 12mm Sensors						
Part Number	Price	Description	Mounting Head	Mounting Plate	Drawing Link	Weight lb (g)
<a href="#">OPT2114</a>		Wenglor mounting bracket, right-angle swivel, 360 degree vertical and horizontal adjustment, aluminum, 12mm rod mount. For use with 12mm sensors.	Aluminum	Stainless steel	<a href="#">PDF</a>	0.14 (63.5)
<a href="#">OPT2115</a>		Wenglor mounting bracket, right-angle swivel, 360 degree vertical and horizontal adjustment, 304 stainless steel, 12mm rod mount. For use with 12mm sensors.	304 Stainless steel	304 Stainless steel	<a href="#">PDF</a>	0.27 (122.5)



OPT2114, OPT2115

Note: 304 stainless steel mounting rods sold separately: OPT2109 (200mm [7.87 in] length), OPT2110 (300mm [11.81 in] length), and OPT2111 (500mm [19.69 in] length).

# Mounting Rods and Brackets

## Mounting Rods

304 Stainless steel rods for mounting swivel brackets OPT2112 - OPT2127. Available in three lengths: 200mm, 300mm, and 500mm. 12mm diameter.

Mounting Rods for OPT2112-2127 Swivel Mounting Brackets				
Part Number	Price	Description	Drawing Link	Weight lb (g)
<a href="#">OPT2109</a>		Wenglor mounting rod, 12mm diameter, 200mm length, 304 stainless steel.	<a href="#">PDF</a>	0.41 (185.97)
<a href="#">OPT2110</a>		Wenglor mounting rod, 12mm diameter, 300mm length, 304 stainless steel.	<a href="#">PDF</a>	0.60 (272.16)
<a href="#">OPT2111</a>		Wenglor mounting rod, 12mm diameter, 500mm length, 304 stainless steel.	<a href="#">PDF</a>	0.98 (444.52)



## Right-angle Mounting Bracket

Mounting bracket, right-angle, nickel-plated brass. For use with 12mm mounting rods OPT2109, OPT2110 & OPT2111.

Right-angle Mounting Brackets for 12mm Sensors				
Part Number	Price	Description	Drawing Link	Weight lb (g)
<a href="#">OPT2108</a>		Wenglor mounting bracket, right-angle, nickel plated brass. For use with 12mm mounting rods OPT2109, OPT2110 & OPT2111.	<a href="#">PDF</a>	0.07 (31.8)

