

AK Series Analog Inductive Proximity Sensors



M18 (18 mm) metal – analog output

- Voltage or current analog output
- 4 models available
- Metal housing
- Axial cable or M12 quick-disconnect models
- IP67 rated
- Purchase cable separately (for quick-disconnect model)
- Lifetime warranty



AK Series M18 Analog Inductive Prox Selection Chart						
Part Number	Price	Sensing Range	Housing	Output	Connection	Dimensions
AK9-05-1A	<--->	0 to 10mm (0-0.39in)	Shielded	0 - 5VDC or 1-5mA	2m (6.5') axial cable	Figure 1
AK9-05-1H	<--->				M12 (12mm) connector	Figure 2
AK9-10-1A	<--->	0 to 10mm (0-0.39in)		0-10VDC or 4-20mA	2m (6.5') axial cable	Figure 1
AK9-10-1H	<--->				M12 (12mm) connector	Figure 2

Specifications		
Mounting Type	AK9-05-1*	AK9-10-1*
Nominal Sensing Distance	0 to 10mm (0-0.39in)	0 to 10mm (0-0.39in)
Operating Distance	N/A	
Material Correction Factors	See Material Influence Table 2 later in this section.	
Output Type	0-5VDC or 1-5mA	0-10VDC or 4-20mA
Current Output Max. Load / Power Supply	1kΩ / 10VDC; 5kΩ / 30VDC	0.5kΩ / 15VDC; 1kΩ / 30VDC
Voltage Output Min. Load	500Ω	1kΩ
Operating Voltage	10 -30VDC	15 -30VDC
No-load Supply Current	≤10mA	≤12mA
Operating (Load) Current		
Off-state (Leakage) Current		N/A
Voltage Drop		≤2.0 V
Switching Frequency		N/A
Differential Travel (% of Nominal Distance)		N/A
Repeat Accuracy		±0.02mm
Ripple		≤20%
Response Time		2ms
Time Delay Before Availability (tv)		≤50ms
Input Voltage Transient Protection		Up to 30VDC
Reverse Polarity Protection		Yes
Short-Circuit Protection		Yes (switch auto-resets after overload is removed)
Operating Temperature		-25° to +70° C (-13° to 158° F)
Protection Degree (DIN 40050)		IEC IP67
Indication/Switch Status		N/A
Housing Material		Chrome-plated brass
Sensing Face Material		Polybutylene Terephthalate (PBT)
Shock/Vibration		See Terminology Section
Tightening Torque		30 Nm (22 lb-ft)
Weight (cable/M8 connector)		110g (3.88 oz.) / 50g (1.76 oz.)
Connection		2m (6.5') axial cable or M12 (12mm) connector
Agency Approvals		UL file E328811

Dimensions

mm [inches]

Figure 1

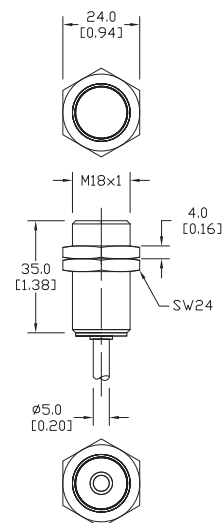
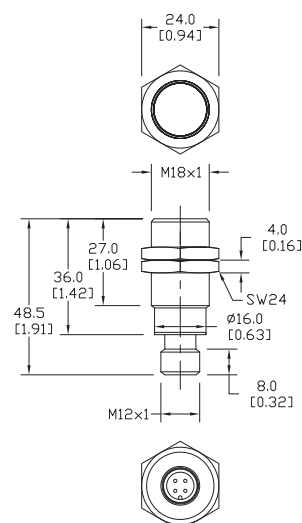
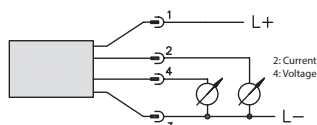


Figure 2



Wiring diagram



Connector

M12 connector



Sensors with M12 connectors must use 2M or 7M cables (4-wire).

Sensor Cables and Connectors

Cables with quick-disconnect plugs

- Industry standard axial and right-angle M8/M12 screw-lock connectors with open leads. The cables listed can be used with patch cables
- 2m, 3m, 5m, 7m, 10m and 15m cable lengths

- PVC (polyvinyl chloride) jacket for typical industrial applications
- PUR (polyurethane) jacket for oily and direct sunlight applications
- IP67 rated



CD08-0A-020-C1 and -A1 shown



CD08-0A-050-C1 and -A1 shown



CD12L-0B-020-A0 and -C0 shown



CD12M-0B-050-C1 and -A1 shown



7000-12221-2141000



7000-12241-2150500



7000-17041-2951000



7000-19041-7050500

M8 Quick-Disconnect Cables (Pico, Nano)						
Part Number	Price	Length	Poles	Connector	Jacket	Dimensions
M8 Quick-Disconnects						
CD08-0A-020-A1	<--->	2m (6.5 ft.)	3	Axial female	PVC	Figure 1
CD08-0A-020-C1	<--->	2m (6.5 ft.)	3	Right-angle female	PVC	Figure 2
CD08-0A-050-A1	<--->	5m (16.4 ft.)	3	Axial female	PVC	Figure 4
CD08-0C-050-A1	<--->	5m (16.4 ft.)	3	Axial female	PUR	Figure 3
CD08-0A-050-C1	<--->	5m (16.4 ft.)	3	Right-angle female	PVC	Figure 5
CD08-0C-050-C1	<--->	5m (16.4 ft.)	3	Right-angle female	PUR	Figure 5
CD08-0A-070-A1	<--->	7m (23 ft.)	3	Axial female	PVC	Figure 1
CD08-0A-070-C1	<--->	7m (23 ft.)	3	Right-angle female	PVC	Figure 2

M12 Quick-Disconnect Cables (Euro, Micro DC-Single Key)						
Part Number	Price	Length	Poles	Connector	Jacket	Dimensions
M12 Quick-Disconnects						
CD12M-0B-050-A1*	<--->	5m (16.4 ft)	3	Axial female	PVC	Figure 8
CD12M-0D-050-A1*	<--->	5m (16.4 ft)	3	Axial female	PUR	Figure 9
CD12M-0B-050-C1*	<--->	5m (16.4 ft)	3	Right-angle female	PVC	Figure 10
CD12M-0D-050-C1*	<--->	5m (16.4 ft)	3	Right-angle female	PUR	Figure 11
CD12L-0B-020-A0	<--->	2m (6.5 ft)	4	Axial female	PVC	Figure 6
CD12L-0B-020-C0	<--->	2m (6.5 ft)	4	Right-angle female	PVC	Figure 7
CD12M-0B-070-A1	<--->	7m (23 ft)	4	Axial female	PVC	Figure 6
CD12M-0B-070-C1	<--->	7m (23 ft)	4	Right-angle female	PVC	Figure 7
7000-12221-2141000	<--->	10m (32.8 ft)	4	Axial female	PVC	Figure 13
7000-12221-2141500	<--->	15m (49.2 ft)	4	Axial female	PVC	Figure 13
7000-12341-2141000	<--->	10m (32.8 ft)	4	Right-angle female	PVC	Figure 14
7000-12341-2141500	<--->	15m (49.2 ft)	4	Right-angle female	PVC	Figure 14
7000-12241-2150300	<--->	3m (9.8 ft)	5	Axial female	PVC	Figure 15
7000-12241-2150500	<--->	5m (16.4 ft)	5	Axial female	PVC	Figure 15
7000-12241-2151000	<--->	10m (32.8 ft)	5	Axial female	PVC	Figure 15
7000-12361-2150300	<--->	3m (9.8 ft)	5	Right-angle female	PVC	Figure 16
7000-12361-2150500	<--->	5m (16.4 ft)	5	Right-angle female	PVC	Figure 16
7000-12361-2151000	<--->	10m (32.8 ft)	5	Right-angle female	PVC	Figure 16
7000-17041-2950300	<--->	3m (9.8 ft)	8	Axial female	PUR	Figure 17
7000-17041-2950500	<--->	5m (16.4 ft)	8	Axial female	PUR	Figure 17
7000-17041-2951000	<--->	10m (32.8 ft)	8	Axial female	PUR	Figure 17
7000-17061-2950300	<--->	3m (9.8 ft)	8	Right-angle female	PUR	Figure 18
7000-17061-2950500	<--->	5m (16.4 ft)	8	Right-angle female	PUR	Figure 18
7000-17061-2951000	<--->	10m (32.8 ft)	8	Right-angle female	PUR	Figure 18
7000-19041-7050300	<--->	3m (9.8 ft)	12	Axial female	PUR	Figure 19
7000-19041-7050500	<--->	5m (16.4 ft)	12	Axial female	PUR	Figure 19
7000-19041-7051000	<--->	10m (32.8 ft)	12	Axial female	PUR	Figure 19
7000-19061-7050300	<--->	3m (9.8 ft)	12	Right-angle female	PUR	Figure 20
7000-19061-7050500	<--->	5m (16.4 ft)	12	Right-angle female	PUR	Figure 20
7000-19061-7051000	<--->	10m (32.8 ft)	12	Right-angle female	PUR	Figure 20

* Note: Do not use with sensors that require 4-pole cables.

Sensor Cables and Connectors

Shielded M12 Cables with quick-disconnect plugs



7000-17121-2941000



7000-17141-2940500

- Industry standard axial and right-angle M12 screw-lock connectors with open leads
- Braided shield located inside the cord jacket and connected to the coupling nut

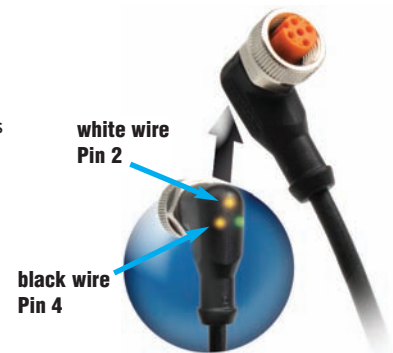
- 5m and 10m cable lengths
- PUR (polyurethane) jacket for oily and direct sunlight applications
- IP67 rated

Shielded M12 Quick-Disconnect Cables (Euro, Micro DC-Single Key)						
Part Number	Price	Length	Poles	Connector	Jacket	Dimensions
M12 Quick-Disconnects (shielded)						
7000-13201-3310500	<--->	5m (16.4 ft)	4	Axial female	PUR	Figure 21
7000-13201-3311000	<--->	10m (32.8 ft)	4	Axial female	PUR	Figure 21
7000-13261-3310500	<--->	5m (16.4 ft)	4	Right-angle female	PUR	Figure 22
7000-13261-3311000	<--->	10m (32.8 ft)	4	Right-angle female	PUR	Figure 22
7000-13221-3490500	<--->	5m (16.4 ft)	5	Axial female	PUR	Figure 23
7000-13221-3491000	<--->	10m (32.8 ft)	5	Axial female	PUR	Figure 23
7000-13281-3490500	<--->	5m (16.4 ft)	5	Right-angle female	PUR	Figure 24
7000-13281-3491000	<--->	10m (32.8 ft)	5	Right-angle female	PUR	Figure 24
7000-17121-2940500	<--->	5m (16.4 ft)	8	Axial female	PUR	Figure 25
7000-17121-2941000	<--->	10m (32.8 ft)	8	Axial female	PUR	Figure 25
7000-17141-2940500	<--->	5m (16.4 ft)	8	Right-angle female	PUR	Figure 26
7000-17141-2941000	<--->	10m (32.8 ft)	8	Right-angle female	PUR	Figure 26

Cables with LED and quick-disconnect plugs

- Industry standard M12 right angle female-plug with open leads
- These cables can be used with patch cables.
- 2m, 5m and 10m cable lengths

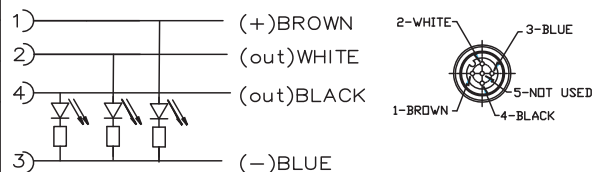
- PUR (polyurethane) jacket for oily and direct sunlight applications
- IP67 /IP68 / IP69K, II rated
- LED indication for 10-36 VDC PNP sensors only



M12 Quick-Disconnect Cables with LED Indicator (Euro, Micro DC-Single Key)							
Part Number	Price	Length	Poles	Connector	LED	Jacket	Dimensions
M12 Quick-Disconnects							
EVC178*	<--->	2m (6.5 ft)	4	Right-angle female	Yes	PUR	Figure 12
EVC179*	<--->	5m (16.4 ft)	4	Right-angle female	Yes	PUR	Figure 12
EVC180*	<--->	10m (32.8 ft)	4	Right-angle female	Yes	PUR	Figure 12

**Note: LED for 10 to 36 VDC PNP devices only.
Do not use with NPN or analog output devices.
Do not use when white wire (Pin 2) is used for selection of a sensor function.
Do not use when emitter has check function.*

LED Models' Wiring



Sensor Cables and Connectors

Company Information

Systems Overview

Programmable Controllers

Field I/O

Software

C-more & other HMI

Drives

Soft Starters

Motors & Gearbox

Steppers/ Servos

Motor Controls

Proximity Sensors

Photo Sensors

Limit Switches

Encoders

Current Sensors

Pressure Sensors

Temperature Sensors

Pushbuttons/ Lights

Process

Relays/ Timers

Comm.

Terminal Blocks & Wiring

Power

Circuit Protection

Enclosures

Tools

Pneumatics

Safety

Appendix

Product Index

Part # Index

Cable Specifications					
Specification	M8		M12		
			CD Series		7000 Series (unshielded)
Length	2m (6.5 ft) / 7m (23 ft)	5m (16.4 ft)	2m (6.5 ft) / 7m (23 ft)	5m (16.4 ft)	3m (9.8 ft) / 5m (16.4 ft) / 10m (32.8 ft) / 15m (49.2 ft)
Nominal Voltage	50 VAC/75 VDC	60 VAC/VDC	300 VAC	250 VAC/VDC	30 VAC/VDC; 125 VAC/VDC; 250 VAC/VDC
Max Current	4A		4A		3/4 pin: 250 VAC/VDC, 4A 5 pin: 125 VAC/VDC, 4A 8 pin: 30 VAC/VDC, 2A 12 pin: 30 VAC/VDC, 1.5A
LED Current Loading	N/A				
Protection Degree	IP67	IP65 / IP68 / IP69K	IP67	PVC: IP68 PUR: IP68 / IP69K	IP67
Material Nut	Nickel plated brass			Nickel plated Zinc	
Housing Material	Polyurethane (PUR)				
Contacts Material	Gold plated Copper-Tin Alloy (CuSn)			Gold plated brass	
Tightening Torque	0.5 Nm	≤ 0.4 Nm	0.5 Nm	≤ 0.4 Nm	0.6 Nm
Conductors Cross Section (AWG)	0.25 mm ² (24 AWG)	0.25 mm ² (24 AWG)	0.25 mm ² (24 AWG)	0.34 mm ² (22 AWG)	4 x 0.34 mm ² (4 x 22 AWG) 5 x 0.34 mm ² (5 x 22 AWG) 8 x 0.25 mm ² (8 x 24 AWG) 12 x 0.14 mm ² (12 x 26 AWG)
Ø Outer Cable	5mm	PVC: 4mm PUR: 4mm	5mm	PVC: 4.2 mm PUR: 4.3 mm	PVC: 5 - 5.2 mm PUR: 6.0 mm
Temperature Range	-25° to +80°C (-13° to 176°F)	-25° to 90°C (-13° to 194°F)	-25° to +80°C (-13° to 176°F)	PVC: -30° to 70°C (-22° to 158°F) PUR: -50° to 90°C (-58° to 194°F)	PVC: -25° to +70°C (-13° to 158°F) PUR: -25° to +85°C (-13° to 185°F)
Environmental	N/A	Halogen/Silicone free	N/A	Halogen/Silicone free	N/A
Function Display Power LED	N/A				
Switching Status LED	N/A				
Drag Chain (Roller Cable Tray) Suitability	Bending Radius	min. 10 x cable diameter			
	Bending Cycles	N/A			
	Travel Speed	N/A			
	Torsional Strain	N/A			
Agency Approvals	RoHS			RoHS (UL E325311 8/12 pole)	

Sensor Cables and Connectors

Cable Specifications		
Specification	M12 7000 Series (shielded)	M12 with LED
Length	5m (16.4 ft) / 10m (32.8 ft)	2m (6.5 ft) / 5m (16.4 ft) / 10m (32.8 ft)
Nominal Voltage	30 VAC/VDC / 60 VAC/VDC	10 to 36 VDC
Max Current	2A / 4A	4A
LED Current Loading	N/A	10 V input Brown wire LED: 1.7 mA White and/or Black LED: 0.9 mA 36V input Brown wire LED: 7.3 mA White and/or Black LED: 4.7 mA
Protection Degree	IP67	IP67 / IP68 / IP69K
Material Nut	Nickel plated Zinc	Nickel plated Brass
Jacket Material	Polyurethane (PUR)	
Housing Material	Polyurethane (PUR)	
Contacts Material	Gold plated Brass	
Tightening Torque	0.6 Nm	0.6 to 1.5 Nm
Conductors Cross Section (AWG)	4 x 0.34 mm ² (4 x 22 AWG) 5 x 0.34 mm ² (5 x 22 AWG) 8 x 0.25 mm ² (8 x 24 AWG)	4 x 0.34 mm ² (4 x 22 AWG)
Ø Outer Cable	4/5 pole: 5.9 mm 8 pole: 7mm	5mm
Temperature Range	-25° to +80°C (-13° to 176°F)	-25° to +90°C (-13° to 194°F)
Function Display Power LED	N/A	Green
Switching Status LED	N/A	2 x Yellow
Drag Chain (Roller Cable Tray) Suitability	Bending Radius	min. 10 x cable diameter
	Bending Cycles	N/A
	Travel Speed	Max. 3.3 m/s for a horizontal travel length of 5 meters and max. acceleration of 5 m/s ²
	Torsional Strain	±180°/m
Agency Approvals	RoHS	UL File E191684, RoHS

UL Reference	
Part Number	Mini-Series Female Cord Connectors Series M12, UL Catalog Number
EVC178	ADOAH043MSS0002H04
EVC179	ADOAH043MSS0005H04
EVC180	ADOAH043MSS0010H04

Note: Shown in UL file under Mini-series Female Cord Connectors using catalog number

Sensor Cables and Connectors

Dimensions

mm [inches]

Figure 1

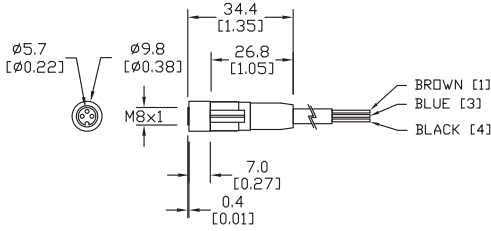


Figure 2

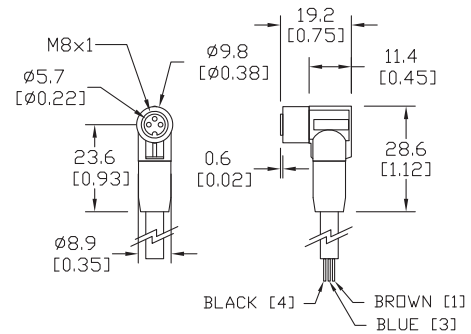


Figure 3

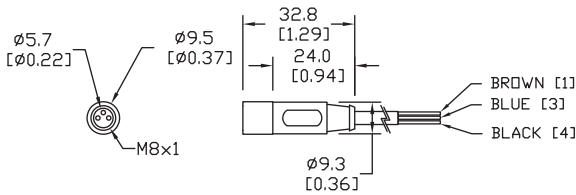


Figure 4

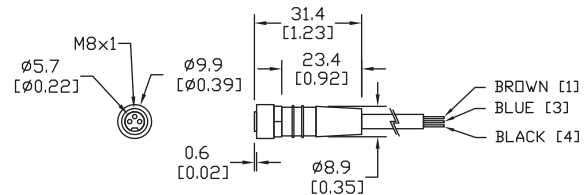


Figure 5

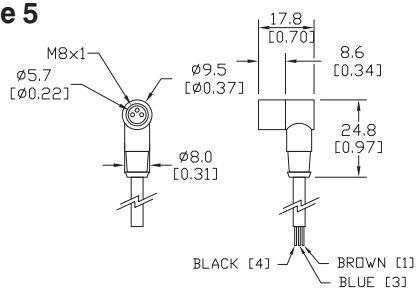


Figure 6

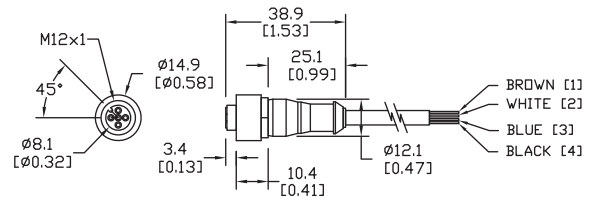


Figure 7

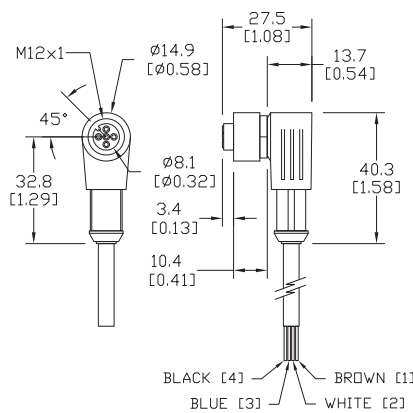
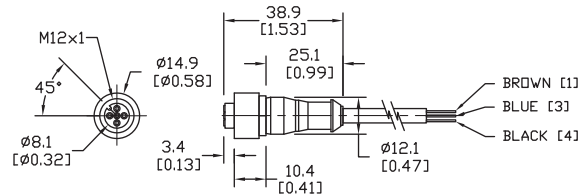


Figure 8



Sensor Cables and Connectors

Dimensions

mm [inches]

Figure 9

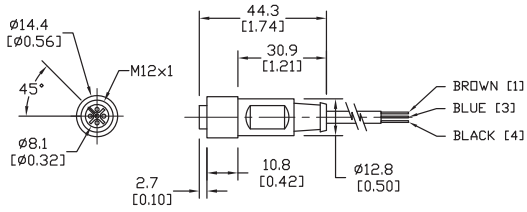


Figure 10

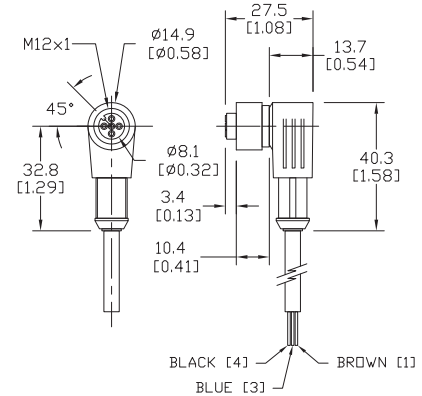


Figure 11

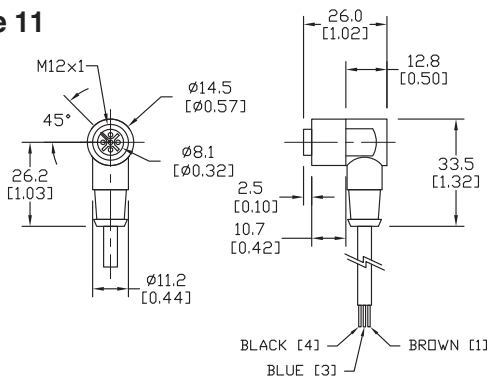


Figure 12

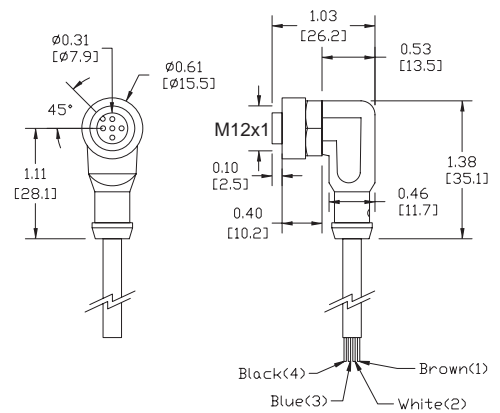


Figure 13

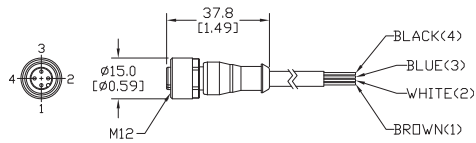


Figure 14

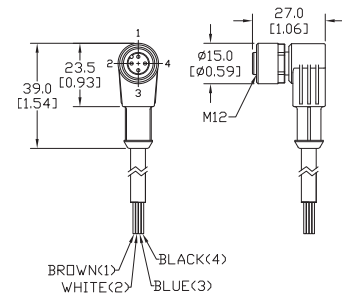


Figure 15

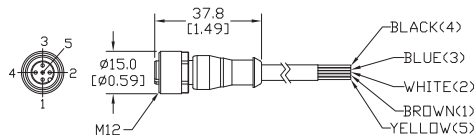
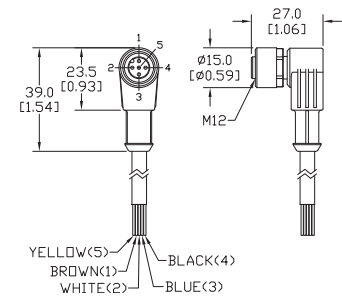


Figure 16



Accessories: Adapter, Mounting Brackets

ST12A axial bracket

For mounting M12 (12 mm) sensors. Has two mounting holes (use 3 mm screws) and allows the rotation of an optical axis for right-beam angle adapter sensors. Hexagonal nuts not included.



ST12C right-angle bracket

Angular mounting bracket for use with M12 (12 mm) sensors. Has two mounting holes (use 3 mm screws) and allows the rotation of an optical axis for axial sensors. Hexagonal nuts not included.

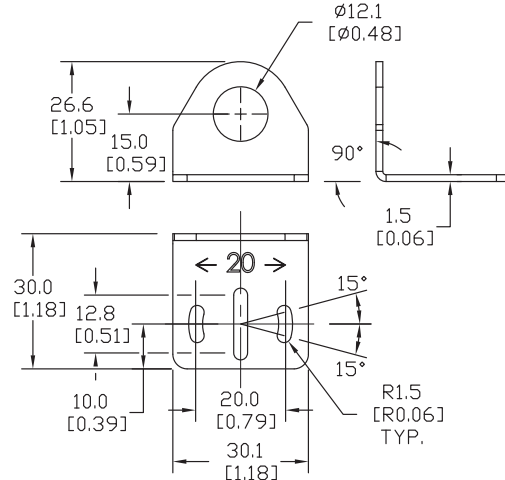
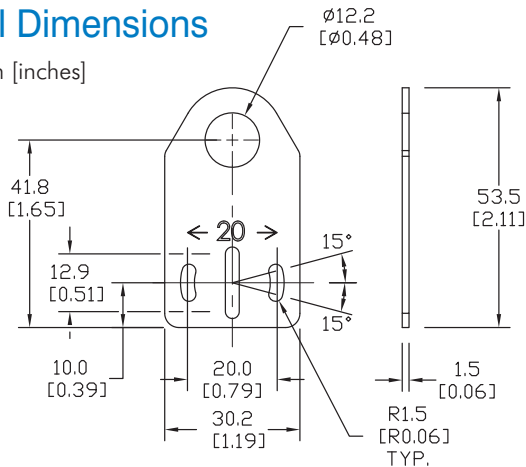


Brackets		
Part Number	Price	Description
ST12A	<--->	Zinc plated iron axial bracket for 12 mm sensors, 1/pk
ST12A7W	<--->	316L stainless steel axial bracket for 12 mm sensors, 1/pk

Brackets		
Part Number	Price	Description
ST12C	<--->	Zinc plated iron right angle bracket for 12 mm sensors, 1/pk
ST12C7W	<--->	316L stainless steel right angle bracket for 12 mm sensors, 1/pk

All Dimensions

mm [inches]



ST18A axial bracket

Mounting bracket for M18 (18 mm) sensors. Has two mounting holes (use 4 mm screws) and allows the rotation of an optical axis for right-beam-angle-adaptor sensors. Hexagonal nuts not included.



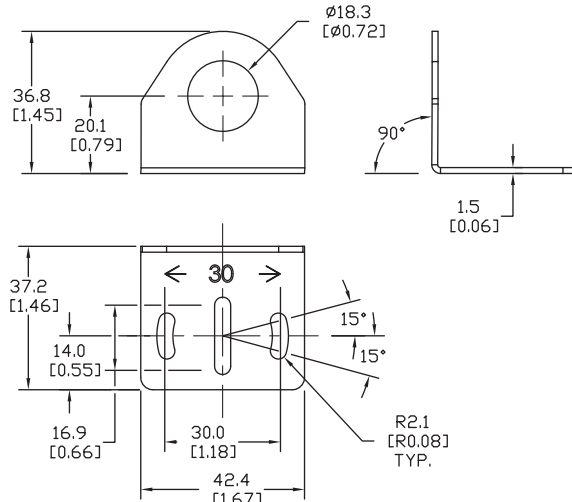
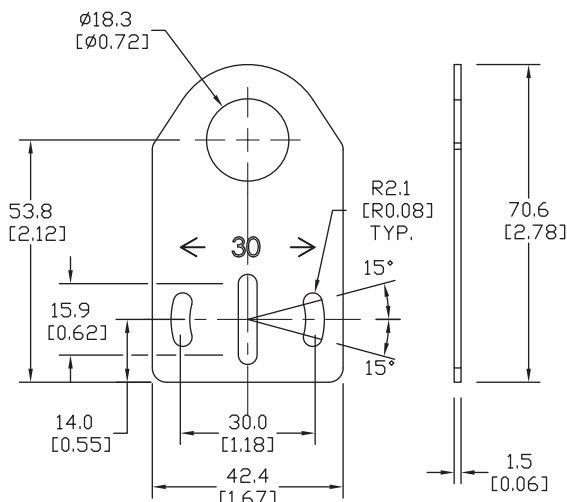
ST18C right-angle bracket

Angular mounting bracket for M18 (18 mm) sensors. Has two mounting holes (use 4 mm screws) and allows the rotation of an optical axis for axial sensors. Hexagonal nuts not included.



Brackets		
Part Number	Price	Description
ST18A	<--->	Zinc plated iron axial bracket for 18 mm sensors, 1/pk
ST18A7W	<--->	316L stainless steel axial bracket for 18 mm sensors, 1/pk

Brackets		
Part Number	Price	Description
ST18C	<--->	Zinc plated iron right angle bracket for 18 mm sensors, 1/pk
ST18C7W	<--->	316L stainless steel right angle bracket for 18 mm sensors, 1/pk



Accessories: Mounting Brackets

ST30A axial bracket

Mounting M30 (30 mm) sensors. Has two mounting holes (use 5 mm screws) and allows the rotation of an optical axis for right-beam-angle-adaptor sensors. Hexagonal nuts not included.



ST30C right-angle bracket

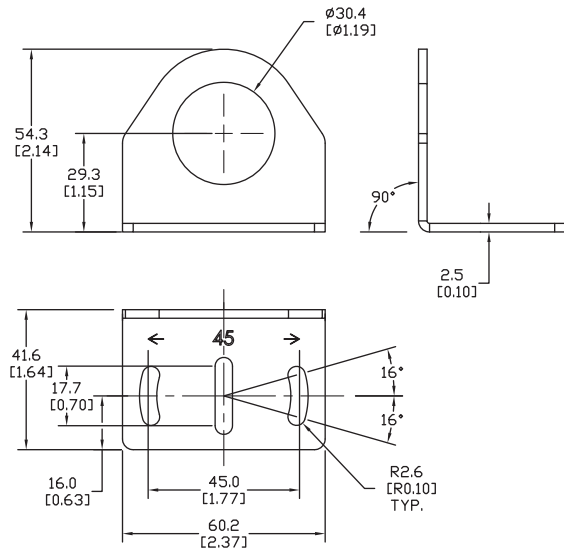
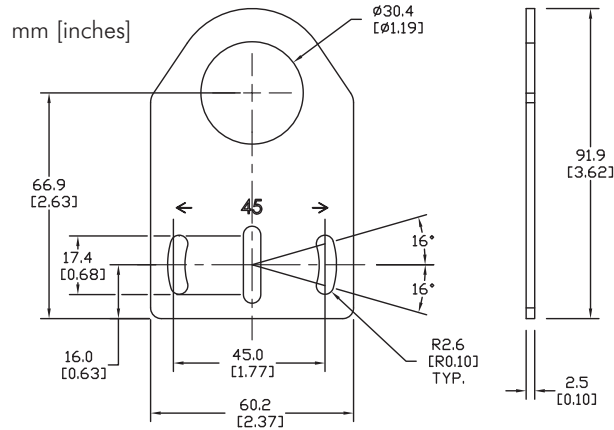
Angular mounting bracket for M30 (30 mm) sensors. Has two mounting holes (use 5 mm screws) and allows the rotation of an optical axis for axial sensors. Hexagonal nuts not included.



Brackets		
Part Number	Price	Description
ST30A	<--->	Zinc plated iron axial bracket for 30 mm sensors, 1/pk

Brackets		
Part Number	Price	Description
ST30C	<--->	Zinc plated iron right angle bracket for 30 mm sensors, 1/pk

All Dimensions



We sell good proximity sensors at great prices – and we back them up!

AutomationDirect Lifetime Warranty

Registration required

For inductive proximity sensors sold to the Original User for the lifetime of the original application.

The following terms apply to the LIFETIME WARRANTY in addition to the General Terms:

1. This warranty is available only to AUTOMATIONDIRECT's authorized Value Added Resellers and to the Original User. In the event the ownership of the product is transferred to a person, firm, or corporation other than the Original User, this WARRANTY shall terminate.
2. This WARRANTY is applicable only to the original installation of the product. In the event the machinery, equipment, or production line to which the product is connected, or on which it is installed, is substituted, changed, moved or replaced, the WARRANTY shall terminate.
3. This WARRANTY shall be valid only if the product was purchased by the Original User from AUTOMATIONDIRECT, or from an authorized AUTOMATIONDIRECT Value Added Reseller, or was an integral part of a piece of machinery and equipment obtained by the Original User from an original equipment manufacturer, where the part was purchased by the original equipment manufacturer directly from AUTOMATIONDIRECT or from an authorized AUTOMATIONDIRECT Value Added Reseller.

Purchaser's remedies

This remedy shall apply to all WARRANTIES. If an AUTOMATIONDIRECT Value Added Reseller desires to make a WARRANTY claim, the Value Added Reseller shall, if requested by AUTOMATIONDIRECT, ship the product to AUTOMATIONDIRECT's facility in Cumming, GA postage or freight prepaid. If the Original User desires to make a WARRANTY Claim, they shall notify the authorized Value Added Reseller from whom it was purchased or, if purchased directly from AUTOMATIONDIRECT, shall notify AUTOMATIONDIRECT and, if requested by AUTOMATIONDIRECT, ship the Product to AUTOMATIONDIRECT's facility in Cumming, GA postage or freight prepaid. AUTOMATIONDIRECT shall, at its option, take any of the following two courses of action for any products which AUTOMATIONDIRECT determines are defective in materials or workmanship.

1. Repair or replace the product and ship the product to the Original User or to the authorized AUTOMATIONDIRECT Value Added Reseller, postage or freight prepaid; or
2. Repay to the Original User that price paid by the Original User; provided that if the claim is made under the lifetime warranty, and such product is not then being supplied by AUTOMATIONDIRECT, then the amount to be repaid by AUTOMATIONDIRECT to the Original User shall be reduced according to the following schedule:

Number of Years Since Date of Purchase by Original User	Percent of Original Purchase Price To Be Paid by AutomationDirect
10	50 percent
15	25 percent
20	10 percent
More than 20	5 percent

REMEDIES OF PURCHASER'S AND VALUE ADDED RESELLERS SHALL BE LIMITED EXCLUSIVELY TO THE RIGHT OF REPLACEMENT, REPAIR OR REPAYMENT AS PROVIDED ABOVE AND DOES NOT INCLUDE ANY LABOR COST OR REPLACEMENT AT ORIGINAL USER'S SITE. AUTOMATIONDIRECT.COM SHALL NOT BE LIABLE FOR ANY CONSEQUENTIAL DAMAGES RESULTING FROM ANY BREACH OF ANY WARRANTY, EXPRESSED OR IMPLIED, APPLICABLE TO THE PRODUCT, INCLUDING WITHOUT LIMITATION, ANY DAMAGES RESULTING FROM PROPERTY DAMAGE, PERSONAL INJURY OR BUSINESS INTERRUPTION, EVEN IF NOTIFIED OF THE POSSIBILITY OF SUCH DAMAGES.

Inductive proximity sensors warranty form may be obtained online at:

<http://static/specs/proxwarranty.pdf>