

# CK Series Capacitive Proximity Sensors

## M18 (18mm) plastic – DC



### Pushbutton models

- NO/NC selectable
- Pushbutton teach
- LED status indicators
- IP65/IP67 rated
- M12 quick-disconnect; purchase cable separately
- Mounting accessories available

### Potentiometer models

- NO or NC units available
- Potentiometer sensitivity adjustment
- LED status indicators
- IP65/IP67/IP69K rated
- M12 quick-disconnect; purchase cable separately
- Mounting accessories available



**CK Series Capacitive Prox Selection Chart**

Part Number	Price	Sensing Distance	Mounting	Output State	Logic	Connection	Wiring	Dimensions
<b>Pushbutton select and teach</b>								
<b>CK1-00-2H</b>		12mm (0.47 in)	Non-flush	N.O./N.C.	NPN/PNP	M12 (12mm) quick-disconnect	Diagram 1	Figure 1
<b>Potentiometer sensitivity adjustment</b>								
<b>CK2-AP-1H</b>		8mm (0.32 in)	Flush	N.O.	PNP	M12 (12mm) quick-disconnect	Diagram 1 (PNP)	Figure 2
<b>CK2-CP-1H</b>		8mm (0.32 in)	Flush	N.C.	PNP	M12 (12mm) quick-disconnect	Diagram 1 (PNP)	Figure 2
<b>CK2-AP-2H</b>		15mm (0.59 in)	Non-flush	N.O.	PNP	M12 (12mm) quick-disconnect	Diagram 1 (PNP)	Figure 2
<b>CK2-CP-2H</b>		15mm (0.59 in)	Non-flush	N.C.	PNP	M12 (12mm) quick-disconnect	Diagram 1 (PNP)	Figure 2

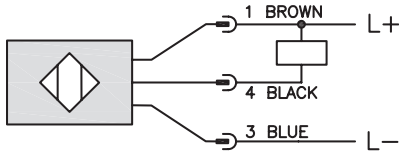
CK Series Specifications	CK1-00-2H	CK2-XX-XX
<b>Mounting Type</b>	Non-flush	Non-flush Flush
<b>Nominal Sensing Distance</b>	12mm (0.47 in)	15mm (0.59 in) 8mm (0.32 in)
<b>Operating Distance</b>	NA	NA
<b>Material Correction Factors</b>	NA	NA
<b>Output Type</b>	NPN/PNP; N.O./N.C.	PNP; N.O./N.C.
<b>Operating Voltage</b>	10 to 36VDC	10 to 30VDC
<b>No-load Supply Current</b>	< 20mA	< 22mA
<b>Operating (Load) Current</b>	200mA	
<b>Off-state (Leakage) Current</b>	NA	
<b>Voltage Drop</b>	< 2.5V	
<b>Switching Frequency</b>	10Hz	30Hz
<b>Differential Travel (% of Nominal Distance)</b>	NA	
<b>Repeat Accuracy</b>	NA	
<b>Ripple</b>	NA	
<b>Time Delay Before Availability (tv)</b>	NA	
<b>Reverse Polarity Protection</b>	Yes	
<b>Short-circuit Protection</b>	Yes, pulsed	
<b>Operating Temperature</b>	-25° to 80°C (-13° to 176°F) Sensing face: -25° to 110°C (-13° to 230°F)	
<b>Protection Degree (DIN 40050)</b>	IEC IP65/IP67	IEC IP65/IP67/IP69K
<b>Indication/Switch Status</b>	Yellow (output energized)	
<b>Housing Material</b>	Polybutylene Terephthalate (PBT)	
<b>Sensing Face Material</b>	Polybutylene Terephthalate (PBT)	
<b>Shock/Vibration</b>	DIN EN 60947-5-2	
<b>Tightening Torque</b>	2.0 N•m (1.48 lb•ft)	
<b>Weight</b>	59g (2.08 oz)	26.1 g (0.92 oz)
<b>Connectors</b>	M12 connector. 2 lock nuts included	
<b>Agency Approvals</b>	cULus file E328811, CE	

# CK Series Capacitive Proximity Sensors

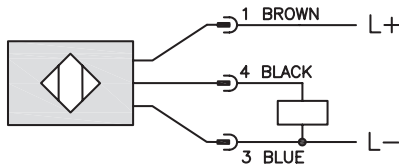
## Wiring diagrams

Diagram 1

NPN Output

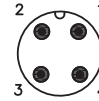


PNP Output



## Connectors

M12 connector



## Dimensions

mm [inches]

Figure 1

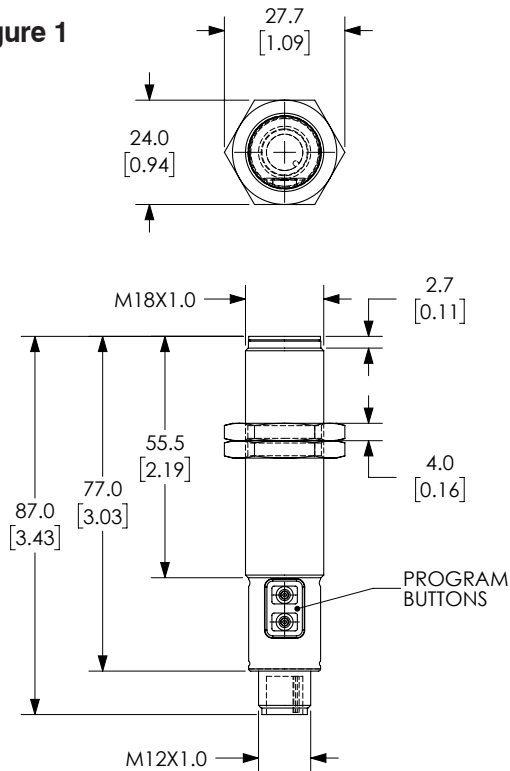
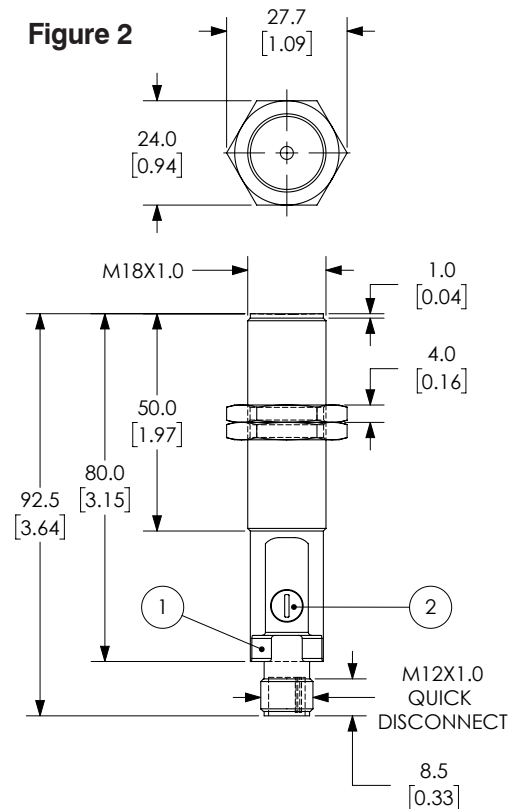


Figure 2



1 = LED YELLOW SWITCHING STATUS  
2 = POTENTIOMETER SENSING RANGE

See our website: for complete engineering drawings

Proximity Sensors

tSEN-159

# Capacitive Proximity Sensors - Accessories



Mounting Well

Mounting Adapter

Capacitive Proximity Sensors Accessory Chart				
Part Number	Price	Description	Material	Dimensions
<b>Mounting Adapter</b>				
<b>CR1-ADPTR</b>		Adapter for CR1 series capacitive sensors	Housing: Polybutylene Terephthalate (PBT) Included Screws: M3 x 6 Steel (0.5 N•m [0.37 lb•ft])	Figure 1
<b>Mounting Wells</b>				
<b>MWT-01</b>		30mm (1.18 in) sensor mounting well	PTFE - Polytetrafluoroethylene (Teflon®) Temp: -25° to 246°C (-13° to 474.8°F) Max. pressure: 100 PSI (6.9 bar)	Figure 2
<b>MWK-01</b>		18mm (0.71 in) sensor mounting well		Figure 3

## Dimensions

mm [inches]

Figure 1

CR1 Adapter

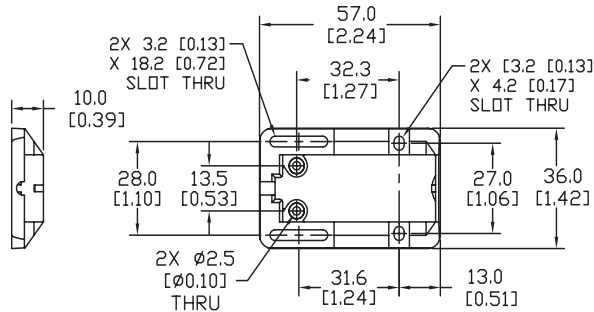


Figure 2

30mm Sensor Mounting Well

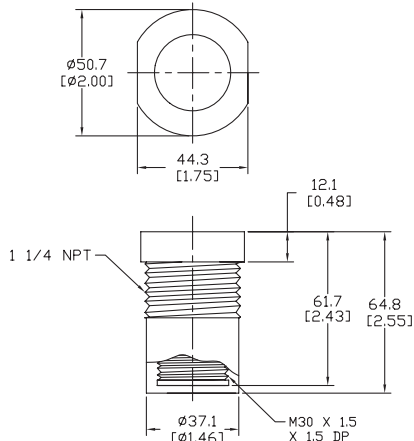
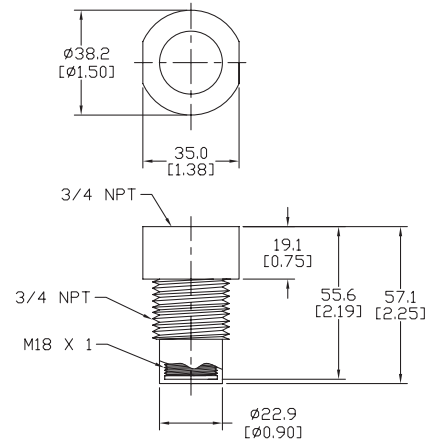


Figure 3

18mm Sensor Mounting Well



See our website: for complete engineering drawings

Proximity Sensors

tSEN-170

# Accessories for 18mm Sensors

## Axial Mounting Bracket

Axial mounting bracket available in zinc plated steel or 316L stainless steel. Has two mounting holes (use 4mm screws) and allows for rotation of an optical axis for right-beam-angle-adaptor sensors. Hexagonal nuts not included. For use with 18mm sensors.

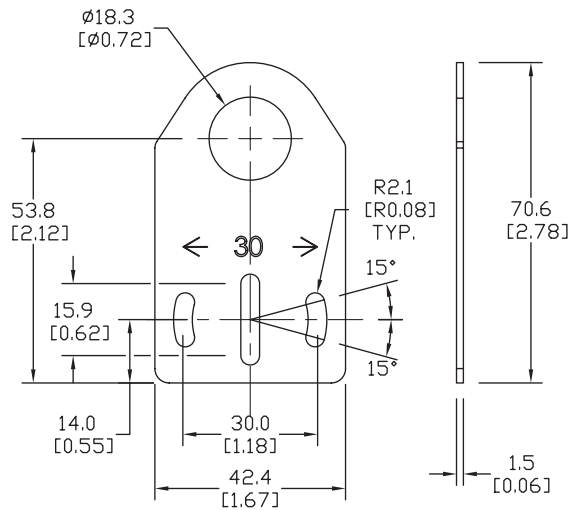


ST18A

Accessories for 18mm Sensors			
Part Number	Price	Description	Weight lb (g)
<b>ST18A</b>		Mounting bracket, axial, zinc plated steel. For use with 18mm sensors.	0.06 (27.2)
<b>ST18A7W</b>		Mounting bracket, axial, 316L stainless steel. For use with 18mm sensors.	0.06 (27.2)

### Dimensions

mm [inches]



## Right-angle Mounting Bracket

Right-angle mounting bracket for use with 18mm sensors. Has two mounting holes (use 4mm screws) and allows the rotation of an optical axis for axial sensors. Hexagonal nuts not included.

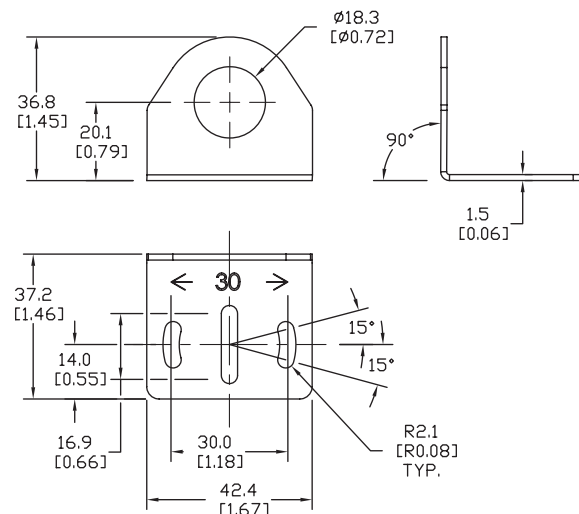


ST18C

Accessories for 18mm Sensors			
Part Number	Price	Description	Weight lb (g)
<b>ST18C</b>		Mounting bracket, right-angle, zinc plated steel. For use with 18mm sensors.	0.06 (27.2)
<b>ST18C7W</b>		Mounting bracket, right-angle, 316L stainless steel. For use with 18mm sensors.	0.06 (27.2)

### Dimensions

mm [inches]



# Accessories for 18mm Sensors

## Right-angle Mounting Brackets

Mounting bracket, right-angle, fixed insertion stop adjustment, plastic. For use with 18mm sensors. Available with or without fixed insertion stop.

Accessories for 18mm Sensors				
Part Number	Price	Description	Drawing Link	Weight lb (g)
<a href="#">OPT2104</a>		Wenglor mounting bracket, right-angle, fixed insertion stop adjustment, plastic. For use with 18mm sensors.	<a href="#">PDF</a>	0.06 (27.2)
<a href="#">OPT2105</a>		Wenglor mounting bracket, right-angle, plastic. For use with 18mm sensors.	<a href="#">PDF</a>	0.06 (27.2)



OPT2104, OPT2105

## Right-angle Swivel Mounting Systems

Mounting bracket, right-angle swivel, 360 degree vertical and horizontal adjustment, 12mm rod mount. For use with 18mm sensors. Available in all 304 stainless steel or with an aluminum head and a stainless steel mounting plate.

Accessories for 18mm Sensors						
Part Number	Price	Description	Mounting Head	Mounting Plate	Drawing Link	Weight lb (g)
<a href="#">OPT2116</a>		Wenglor mounting bracket, right-angle swivel, 360 degree vertical and horizontal adjustment, aluminum, 12mm rod mount. For use with 18mm sensors.	Aluminum	304 Stainless steel	<a href="#">PDF</a>	0.15 (68.0)
<a href="#">OPT2117</a>		Wenglor mounting bracket, right-angle swivel, 360 degree vertical and horizontal adjustment, 304 stainless steel, 12mm rod mount. For use with 18mm sensors.	304 Stainless steel	304 Stainless steel	<a href="#">PDF</a>	0.28 (127.0)



OPT2116, OPT2117

Note: 304 Stainless steel mounting rods sold separately: OPT2109 (200mm [7.87 in] length), OPT2110 (300mm [11.81 in] length), and OPT2111 (500mm [19.69 in] length).

# Mounting Rods and Brackets

## Mounting Rods

304 Stainless steel rods for mounting swivel brackets OPT2112 - OPT2127. Available in three lengths: 200mm, 300mm, and 500mm. 12mm diameter.



Mounting Rods for OPT2112-2127 Swivel Mounting Brackets				
Part Number	Price	Description	Drawing Link	Weight lb (g)
<a href="#">OPT2109</a>		Wenglor mounting rod, 12mm diameter, 200mm length, 304 stainless steel.	<a href="#">PDF</a>	0.41 (185.97)
<a href="#">OPT2110</a>		Wenglor mounting rod, 12mm diameter, 300mm length, 304 stainless steel.	<a href="#">PDF</a>	0.60 (272.16)
<a href="#">OPT2111</a>		Wenglor mounting rod, 12mm diameter, 500mm length, 304 stainless steel.	<a href="#">PDF</a>	0.98 (444.52)

## Right-angle Mounting Bracket

Mounting bracket, right-angle, nickel-plated brass. For use with 12mm mounting rods OPT2109, OPT2110 & OPT2111.



Right-angle Mounting Brackets for 12mm Sensors				
Part Number	Price	Description	Drawing Link	Weight lb (g)
<a href="#">OPT2108</a>		Wenglor mounting bracket, right-angle, nickel plated brass. For use with 12mm mounting rods OPT2109, OPT2110 & OPT2111.	<a href="#">PDF</a>	0.07 (31.8)