

PKW Series Inductive Proximity Sensors



M18 (18 mm) stainless steel - DC

- Twelve models available
- Low cost/high performance
- LED status indicators are visible at a wide angle.
- Triple distance models (shown) sense all metals at virtually the same distance, have one-piece stainless design, and are fully submersible up to 290 psi.
- Axial cable or M12 quick-disconnect models
- Purchase cable separately (for quick-disconnect models).
- Lifetime warranty



| PKW Series M18 DC Inductive Prox Selection Chart | | | | | | | | |
|--|-------|------------------|------------|--------------|-------|------------------------|-----------|------------|
| Part Number | Price | Sensing Range | Housing | Output State | Logic | Connection | Wiring | Dimensions |
| Standard Distance | | | | | | | | |
| PKW-0N-1H | <---> | 5 mm (0.197 in) | Shielded | N.O./N.C | NPN | M12 (12 mm) connector | Diagram 3 | Figure 1 |
| PKW-0P-1H | <---> | | | | PNP | M12 (12 mm) connector | Diagram 4 | Figure 1 |
| PKW-AN-1H | <---> | 5 mm (0.197 in) | Shielded | N.O. | NPN | M12 (12 mm) connector | Diagram 1 | Figure 4 |
| PKW-AP-1H | <---> | | | | PNP | M12 (12 mm) connector | Diagram 2 | Figure 4 |
| Extended Distance | | | | | | | | |
| PKW-0N-2H | <---> | 8 mm (0.315 in) | Unshielded | N.O./N.C | NPN | M12 (12 mm) connector | Diagram 3 | Figure 1 |
| PKW-0P-2H | <---> | | | | PNP | M12 (12 mm) connector | Diagram 4 | Figure 1 |
| PKW-AN-2H | <---> | 12 mm (0.472 in) | Unshielded | N.O. | NPN | M12 (12 mm) connector | Diagram 1 | Figure 4 |
| PKW-AP-2H | <---> | | | | PNP | M12 (12 mm) connector | Diagram 2 | Figure 4 |
| Triple Distance | | | | | | | | |
| PKW-AN-5A | <---> | 10 mm (0.394 in) | Shielded | N.O. | NPN | 2 m (6.5') axial cable | Diagram 1 | Figure 2 |
| PKW-AP-5A | <---> | | | | PNP | 2 m (6.5') axial cable | Diagram 2 | Figure 2 |
| PKW-AN-5H | <---> | | | | NPN | M12 (12 mm) connector | Diagram 1 | Figure 3 |
| PKW-AP-5H | <---> | | | | PNP | M12 (12 mm) connector | Diagram 2 | Figure 3 |

Wiring diagrams

Diagram 1

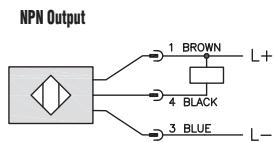


Diagram 2

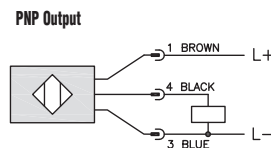


Diagram 3

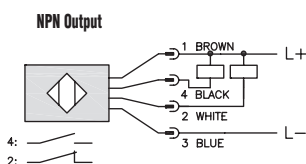
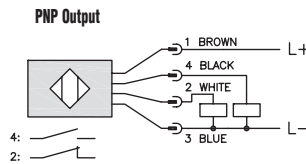
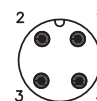


Diagram 4



Connector

M12 connector



Note: Pin 2 is not present on some models.

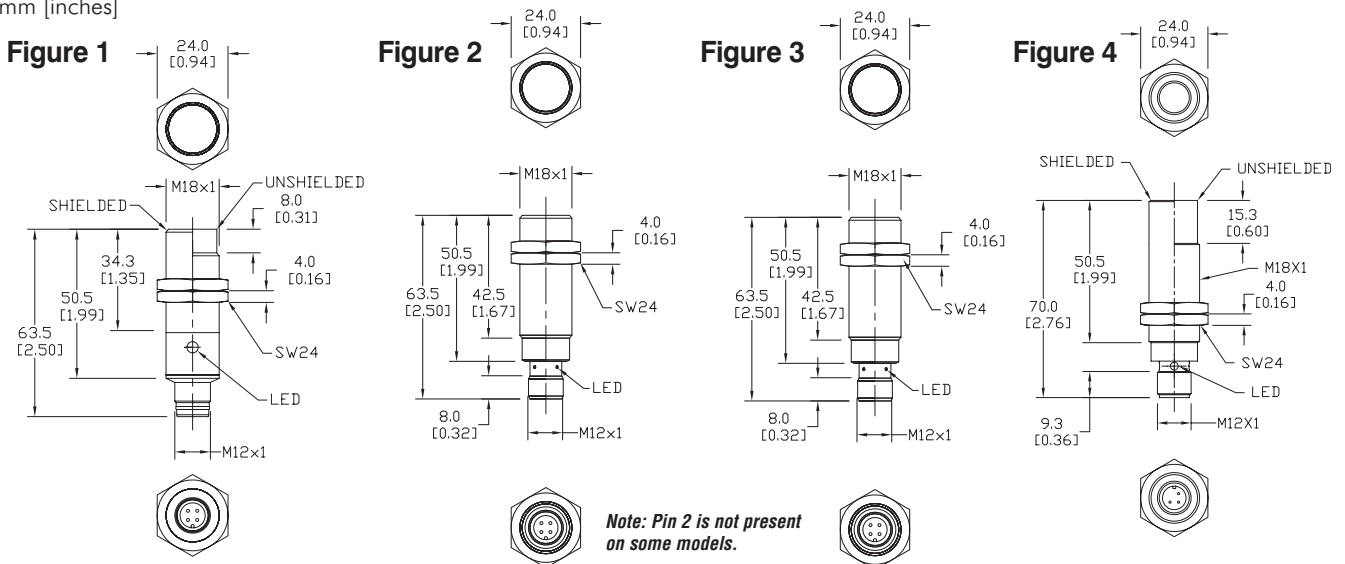
PKW Series Inductive Proximity Sensors

| Specifications | Standard Distance Models | Extended Distance Models | Triple Distance Models | PKW-A*-1H | PKW-A*-2H |
|--|--|------------------------------|--|-------------------------------------|----------------------------|
| Mounting Type | Shielded | Unshielded | Shielded | Shielded | Unshielded |
| Nominal Sensing Distance | 5 mm (0.197 in) ¹ | 8 mm (0.315 in) ¹ | 10 mm (0.394 in) | 5 mm (0.197 in) | 12 mm (0.472 in) |
| Operating Distance | N/A | | | 0 to 4 mm | 0 to 9.7 mm (0.38in) |
| Material Correction Factors | See Material Influence tables later in this section. | | | | |
| Output Type | NPN or PNP and N.O./N.C. complementary | | NPN or PNP, N.O. only | NPN or PNP, N.O. only | |
| Operating Voltage | 10 to 30 VDC | | | 10 to 36 VDC | 10 to 30 VDC |
| No-load Supply Current | 15 mA | | 10 mA | 20 mA | 25 mA |
| Operating (Load) Current | ≤400 mA | | ≤200 mA | 100 mA | |
| Off-state (Leakage) Current | ≤10µA | | ≤100µA | <0.1 mA | |
| Voltage Drop | ≤0.8 V | | ≤2.0 V | <2.5 V | |
| Switching Frequency | 1 kHz | | 200 Hz | 100 Hz | 500 Hz |
| Differential Travel (% of Nominal Distance) | 2 to 10% | | ≤15% | ≤20% | |
| Repeat Accuracy | ≤5% | | — | — | |
| Ripple | ≤10% | | ≤20% | — | |
| Time Delay Before Availability (tv) | 100 ms | | ≤10 ms | negligible | |
| Reverse Polarity Protection | Not available | | | Yes | |
| Short-circuit Protection | Not available | | | Yes (non-latching) | |
| Operating Temperature | -25° to 70°C (-13° to 158°F) | | | | 0° to 100°C (32° to 212°F) |
| Protection Degree (DIN 40050) | IEC IP67/68 | | IEC IP67 ² , (connector) IP68 ² (cable) | IEC IP67, IP68 | IEC IP65/67/68/69K |
| Indication/Switch Status | Yellow (N.O. output energized) | | | | |
| Housing Material | Stainless steel | | | | |
| Sensing Face Material | Polyphenylene Sulfide (PPS) | | Stainless steel | Stainless steel | Stainless steel |
| Shock Resistance / Vibration Resistance | See terminology section | | | | |
| Tightening Torque | 40 Nm (29 lb-ft) | | 50 Nm (37 lb-ft) | 50 Nm (37 lb-ft) | |
| Weight | 70 g (2.47 oz) | | 114 g (4.02 oz) /50 g (1.76 oz) | 56 g (1.98 oz) | |
| Connection | M12 connector | | 2 m (6.5') axial cable or M12 connector | M12 connector. 2 lock nuts included | |
| Agency Approvals | N/A | | UL file E328811, RoHS | cULus file E328811, CE, RoHS | |

Notes: ¹With 12 x 12mm FE360 target ²Fully submersible to 290 psi.

Dimensions

mm [inches]



Sensor Cables and Connectors

Cables with quick-disconnect plugs

- Industry standard axial and right-angle M8/M12 screw-lock connectors with open leads. The cables listed can be used with patch cables
- 2m, 3m, 5m, 7m, 10m and 15m cable lengths

- PVC (polyvinyl chloride) jacket for typical industrial applications
- PUR (polyurethane) jacket for oily and direct sunlight applications
- IP67 rated


CD08-0A-020-C1 and -A1 shown

CD08-0A-050-C1 and -A1 shown

CD12L-0B-020-A0 and -C0 shown

CD12M-0B-050-C1 and -A1 shown

7000-12221-2141000

7000-12241-2150500

7000-17041-2951000

7000-19041-7050500

| M8 Quick-Disconnect Cables (Pico, Nano) | | | | | | |
|---|-------|---------------|-------|--------------------|--------|------------|
| Part Number | Price | Length | Poles | Connector | Jacket | Dimensions |
| M8 Quick-Disconnects | | | | | | |
| CD08-0A-020-A1 | <--> | 2m (6.5 ft.) | 3 | Axial female | PVC | Figure 1 |
| CD08-0A-020-C1 | <--> | 2m (6.5 ft.) | 3 | Right-angle female | PVC | Figure 2 |
| CD08-0A-050-A1 | <--> | 5m (16.4 ft.) | 3 | Axial female | PVC | Figure 4 |
| CD08-0C-050-A1 | <--> | 5m (16.4 ft.) | 3 | Axial female | PUR | Figure 3 |
| CD08-0A-050-C1 | <--> | 5m (16.4 ft.) | 3 | Right-angle female | PVC | Figure 5 |
| CD08-0C-050-C1 | <--> | 5m (16.4 ft.) | 3 | Right-angle female | PUR | Figure 5 |
| CD08-0A-070-A1 | <--> | 7m (23 ft.) | 3 | Axial female | PVC | Figure 1 |
| CD08-0A-070-C1 | <--> | 7m (23 ft.) | 3 | Right-angle female | PVC | Figure 2 |

| M12 Quick-Disconnect Cables (Euro, Micro DC-Single Key) | | | | | | |
|---|-------|---------------|-------|--------------------|--------|------------|
| Part Number | Price | Length | Poles | Connector | Jacket | Dimensions |
| M12 Quick-Disconnects | | | | | | |
| CD12M-0B-050-A1* | <--> | 5m (16.4 ft) | 3 | Axial female | PVC | Figure 8 |
| CD12M-0D-050-A1* | <--> | 5m (16.4 ft) | 3 | Axial female | PUR | Figure 9 |
| CD12M-0B-050-C1* | <--> | 5m (16.4 ft) | 3 | Right-angle female | PVC | Figure 10 |
| CD12M-0D-050-C1* | <--> | 5m (16.4 ft) | 3 | Right-angle female | PUR | Figure 11 |
| CD12L-0B-020-A0 | <--> | 2m (6.5 ft) | 4 | Axial female | PVC | Figure 6 |
| CD12L-0B-020-C0 | <--> | 2m (6.5 ft) | 4 | Right-angle female | PVC | Figure 7 |
| CD12M-0B-070-A1 | <--> | 7m (23 ft) | 4 | Axial female | PVC | Figure 6 |
| CD12M-0B-070-C1 | <--> | 7m (23 ft) | 4 | Right-angle female | PVC | Figure 7 |
| 7000-12221-2141000 | <--> | 10m (32.8 ft) | 4 | Axial female | PVC | Figure 13 |
| 7000-12221-2141500 | <--> | 15m (49.2 ft) | 4 | Axial female | PVC | Figure 13 |
| 7000-12341-2141000 | <--> | 10m (32.8 ft) | 4 | Right-angle female | PVC | Figure 14 |
| 7000-12341-2141500 | <--> | 15m (49.2 ft) | 4 | Right-angle female | PVC | Figure 14 |
| 7000-12241-2150300 | <--> | 3m (9.8 ft) | 5 | Axial female | PVC | Figure 15 |
| 7000-12241-2150500 | <--> | 5m (16.4 ft) | 5 | Axial female | PVC | Figure 15 |
| 7000-12241-2151000 | <--> | 10m (32.8 ft) | 5 | Axial female | PVC | Figure 15 |
| 7000-12361-2150300 | <--> | 3m (9.8 ft) | 5 | Right-angle female | PVC | Figure 16 |
| 7000-12361-2150500 | <--> | 5m (16.4 ft) | 5 | Right-angle female | PVC | Figure 16 |
| 7000-12361-2151000 | <--> | 10m (32.8 ft) | 5 | Right-angle female | PVC | Figure 16 |
| 7000-17041-2950300 | <--> | 3m (9.8 ft) | 8 | Axial female | PUR | Figure 17 |
| 7000-17041-2950500 | <--> | 5m (16.4 ft) | 8 | Axial female | PUR | Figure 17 |
| 7000-17041-2951000 | <--> | 10m (32.8 ft) | 8 | Axial female | PUR | Figure 17 |
| 7000-17061-2950300 | <--> | 3m (9.8 ft) | 8 | Right-angle female | PUR | Figure 18 |
| 7000-17061-2950500 | <--> | 5m (16.4 ft) | 8 | Right-angle female | PUR | Figure 18 |
| 7000-17061-2951000 | <--> | 10m (32.8 ft) | 8 | Right-angle female | PUR | Figure 18 |
| 7000-19041-7050300 | <--> | 3m (9.8 ft) | 12 | Axial female | PUR | Figure 19 |
| 7000-19041-7050500 | <--> | 5m (16.4 ft) | 12 | Axial female | PUR | Figure 19 |
| 7000-19041-7051000 | <--> | 10m (32.8 ft) | 12 | Axial female | PUR | Figure 19 |
| 7000-19061-7050300 | <--> | 3m (9.8 ft) | 12 | Right-angle female | PUR | Figure 20 |
| 7000-19061-7050500 | <--> | 5m (16.4 ft) | 12 | Right-angle female | PUR | Figure 20 |
| 7000-19061-7051000 | <--> | 10m (32.8 ft) | 12 | Right-angle female | PUR | Figure 20 |

* Note: Do not use with sensors that require 4-pole cables.

Sensor Cables and Connectors

Shielded M12 Cables with quick-disconnect plugs



7000-17121-2941000



7000-17141-2940500

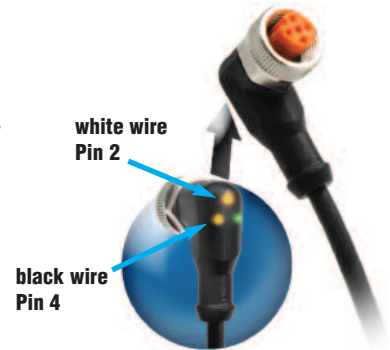
- Industry standard axial and right-angle M12 screw-lock connectors with open leads
- Braided shield located inside the cord jacket and connected to the coupling nut
- 5m and 10m cable lengths
- PUR (polyurethane) jacket for oily and direct sunlight applications
- IP67 rated

| Shielded M12 Quick-Disconnect Cables (Euro, Micro DC-Single Key) | | | | | | |
|--|-------|---------------|-------|--------------------|--------|------------|
| Part Number | Price | Length | Poles | Connector | Jacket | Dimensions |
| M12 Quick-Disconnects (shielded) | | | | | | |
| 7000-13201-3310500 | <---> | 5m (16.4 ft) | 4 | Axial female | PUR | Figure 21 |
| 7000-13201-3311000 | <---> | 10m (32.8 ft) | 4 | Axial female | PUR | Figure 21 |
| 7000-13261-3310500 | <---> | 5m (16.4 ft) | 4 | Right-angle female | PUR | Figure 22 |
| 7000-13261-3311000 | <---> | 10m (32.8 ft) | 4 | Right-angle female | PUR | Figure 22 |
| 7000-13221-3490500 | <---> | 5m (16.4 ft) | 5 | Axial female | PUR | Figure 23 |
| 7000-13221-3491000 | <---> | 10m (32.8 ft) | 5 | Axial female | PUR | Figure 23 |
| 7000-13281-3490500 | <---> | 5m (16.4 ft) | 5 | Right-angle female | PUR | Figure 24 |
| 7000-13281-3491000 | <---> | 10m (32.8 ft) | 5 | Right-angle female | PUR | Figure 24 |
| 7000-17121-2940500 | <---> | 5m (16.4 ft) | 8 | Axial female | PUR | Figure 25 |
| 7000-17121-2941000 | <---> | 10m (32.8 ft) | 8 | Axial female | PUR | Figure 25 |
| 7000-17141-2940500 | <---> | 5m (16.4 ft) | 8 | Right-angle female | PUR | Figure 26 |
| 7000-17141-2941000 | <---> | 10m (32.8 ft) | 8 | Right-angle female | PUR | Figure 26 |

Cables with LED and quick-disconnect plugs

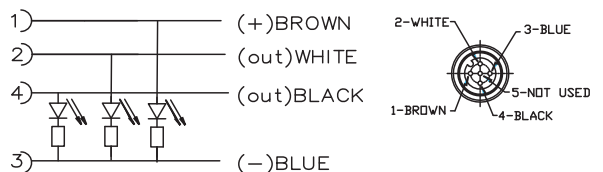
- Industry standard M12 right angle female-plug with open leads
- These cables can be used with patch cables.
- 2m, 5m and 10m cable lengths

- PUR (polyurethane) jacket for oily and direct sunlight applications
- IP67 /IP68 / IP69K, II rated
- LED indication for 10-36 VDC PNP sensors only



| M12 Quick-Disconnect Cables with LED Indicator (Euro, Micro DC-Single Key) | | | | | | | |
|--|-------|---------------|-------|--------------------|-----|--------|------------|
| Part Number | Price | Length | Poles | Connector | LED | Jacket | Dimensions |
| M12 Quick-Disconnects | | | | | | | |
| EVC178* | <---> | 2m (6.5 ft) | 4 | Right-angle female | Yes | PUR | Figure 12 |
| EVC179* | <---> | 5m (16.4 ft) | 4 | Right-angle female | Yes | PUR | Figure 12 |
| EVC180* | <---> | 10m (32.8 ft) | 4 | Right-angle female | Yes | PUR | Figure 12 |
| <p><i>*Note: LED for 10 to 36 VDC PNP devices only. Do not use with NPN or analog output devices. Do not use when white wire (Pin 2) is used for selection of a sensor function. Do not use when emitter has check function.</i></p> | | | | | | | |

LED Models' Wiring



Sensor Cables and Connectors

Company Information

Systems Overview

Programmable Controllers

Field I/O

Software

C-more & other HMI

Drives

Soft Starters

Motors & Gearbox

Steppers/Servos

Motor Controls

Proximity Sensors

Photo Sensors

Limit Switches

Encoders

Current Sensors

Pressure Sensors

Temperature Sensors

Pushbuttons/Lights

Process

Relays/Timers

Comm.

Terminal Blocks & Wiring

Power

Circuit Protection

Enclosures

Tools

Pneumatics

Safety

Appendix

Product Index

Part # Index

| Cable Specifications | | | | | |
|---|-------------------------------------|-------------------------------|-------------------------------|--|--|
| Specification | M8 | | M12 | | |
| | | | CD Series | 7000 Series (unshielded) | |
| Length | 2m (6.5 ft) / 7m (23 ft) | 5m (16.4 ft) | 2m (6.5 ft) / 7m (23 ft) | 5m (16.4 ft) | 3m (9.8 ft) / 5m (16.4 ft) / 10m (32.8 ft) / 15m (49.2 ft) |
| Nominal Voltage | 50 VAC/75 VDC | 60 VAC/VDC | 300 VAC | 250 VAC/VDC | 30 VAC/VDC; 125 VAC/VDC; 250 VAC/VDC |
| Max Current | 4A | | 4A | | 3/4 pin: 250 VAC/VDC, 4A 5 pin: 125 VAC/VDC, 4A 8 pin: 30 VAC/VDC, 2A 12 pin: 30 VAC/VDC, 1.5A |
| LED Current Loading | N/A | | | | |
| Protection Degree | IP67 | IP65 / IP68 / IP69K | IP67 | PVC: IP68 PUR: IP68 / IP69K | IP67 |
| Material Nut | Nickel plated brass | | | | Nickel plated Zinc |
| Housing Material | Polyurethane (PUR) | | | | |
| Contacts Material | Gold plated Copper-Tin Alloy (CuSn) | | | | Gold plated brass |
| Tightening Torque | 0.5 Nm | ≤ 0.4 Nm | 0.5 Nm | ≤ 0.4 Nm | 0.6 Nm |
| Conductors Cross Section (AWG) | 0.25 mm ² (24 AWG) | 0.25 mm ² (24 AWG) | 0.25 mm ² (24 AWG) | 0.34 mm ² (22 AWG) | 4 x 0.34 mm ² (4 x 22 AWG) 5 x 0.34 mm ² (5 x 22 AWG) 8 x 0.25 mm ² (8 x 24 AWG) 12 x 0.14 mm ² (12 x 26 AWG) |
| Ø Outer Cable | 5mm | PVC: 4mm PUR: 4mm | 5mm | PVC: 4.2 mm PUR: 4.3 mm | PVC: 5 - 5.2 mm PUR: 6.0 mm |
| Temperature Range | -25° to +80°C (-13° to 176°F) | -25° to 90°C (-13° to 194°F) | -25° to +80°C (-13° to 176°F) | PVC: -30° to 70°C (-22° to 158°F) PUR: -50° to 90°C (-58° to 194°F) | PVC: -25° to +70°C (-13° to 158°F) PUR: -25° to +85°C (-13° to 185°F) |
| Environmental | N/A | Halogen/Silicone free | N/A | Halogen/Silicone free | N/A |
| Function Display Power LED | N/A | | | | |
| Switching Status LED | N/A | | | | |
| Drag Chain (Roller Cable Tray) Suitability | Bending Radius | min. 10 x cable diameter | | | |
| | Bending Cycles | N/A | | | |
| | Travel Speed | N/A | | | |
| | Torsional Strain | N/A | | | |
| Agency Approvals | RoHS | | | | RoHS (UL E325311 8/12 pole) |

Sensor Cables and Connectors

| Cable Specifications | | |
|--|---|---|
| Specification | M12 7000 Series (shielded) | M12 with LED |
| Length | 5m (16.4 ft) / 10m (32.8 ft) | 2m (6.5 ft) / 5m (16.4 ft) / 10m (32.8 ft) |
| Nominal Voltage | 30 VAC/VDC / 60 VAC/VDC | 10 to 36 VDC |
| Max Current | 2A / 4A | 4A |
| LED Current Loading | N/A | 10 V input Brown wire LED: 1.7 mA White and/or Black LED: 0.9 mA 36V input Brown wire LED: 7.3 mA White and/or Black LED: 4.7 mA |
| Protection Degree | IP67 | IP67 / IP68 / IP69K |
| Material Nut | Nickel plated Zinc | Nickel plated Brass |
| Jacket Material | Polyurethane (PUR) | |
| Housing Material | Polyurethane (PUR) | |
| Contacts Material | Gold plated Brass | |
| Tightening Torque | 0.6 Nm | 0.6 to 1.5 Nm |
| Conductors Cross Section (AWG) | 4 x 0.34 mm ² (4 x 22 AWG) 5 x 0.34 mm ² (5 x 22 AWG) 8 x 0.25 mm ² (8 x 24 AWG) | 4 x 0.34 mm ² (4 x 22 AWG) |
| Ø Outer Cable | 4/5 pole: 5.9 mm 8 pole: 7mm | 5mm |
| Temperature Range | -25° to +80°C (-13° to 176°F) | -25° to +90°C (-13° to 194°F) |
| Function Display Power LED | N/A | Green |
| Switching Status LED | N/A | 2 x Yellow |
| Drag Chain (Roller Cable Tray) Suitability | Bending Radius | min. 10 x cable diameter |
| | Bending Cycles | N/A |
| | Travel Speed | N/A |
| | Torsional Strain | N/A |
| Agency Approvals | RoHS | UL File E191684, RoHS |

| UL Reference | |
|---|--|
| Part Number | Mini-Series Female Cord Connectors Series M12, UL Catalog Number |
| EVC178 | ADOAH043MSS0002H04 |
| EVC179 | ADOAH043MSS0005H04 |
| EVC180 | ADOAH043MSS0010H04 |
| <i>Note: Shown in UL file under Mini-series Female Cord Connectors using catalog number</i> | |

Sensor Cables and Connectors

Dimensions

mm [inches]

Figure 1

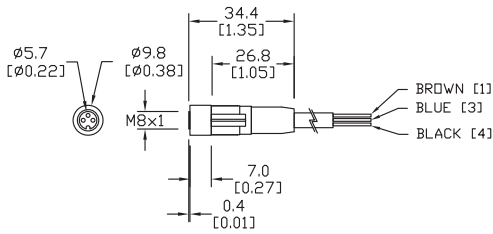


Figure 2

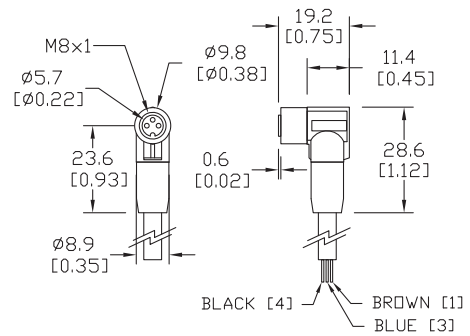


Figure 3

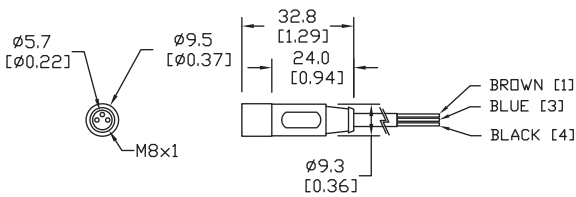


Figure 4

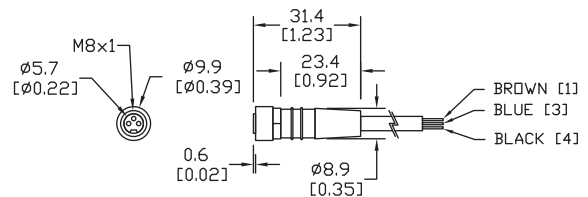


Figure 5

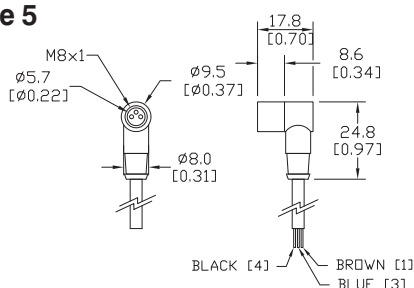


Figure 6

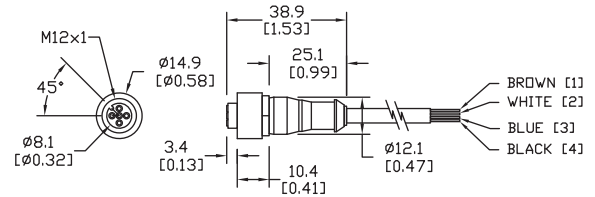


Figure 7

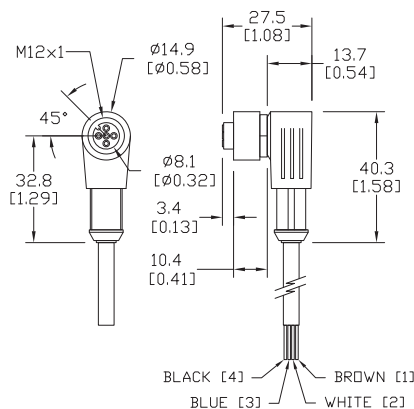
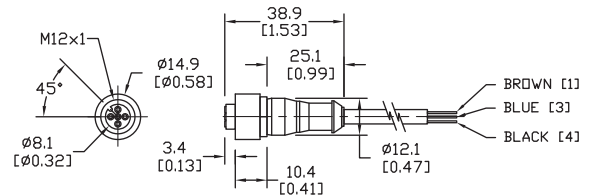


Figure 8



Company Information

Systems Overview

Programmable Controllers

Field I/O

Software

C-more & other HMI

Drives

Soft Starters

Motors & Gearbox

Steppers/Servos

Motor Controls

Proximity Sensors

Photo Sensors

Limit Switches

Encoders

Current Sensors

Pressure Sensors

Temperature Sensors

Pushbuttons/Lights

Process

Relays/Timers

Comm.

Terminal Blocks & Wiring

Power

Circuit Protection

Enclosures

Tools

Pneumatics

Safety

Appendix

Product Index

Part #

Index

Sensor Cables and Connectors

Dimensions

mm [inches]

Figure 9

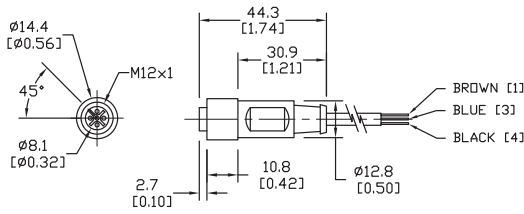


Figure 10

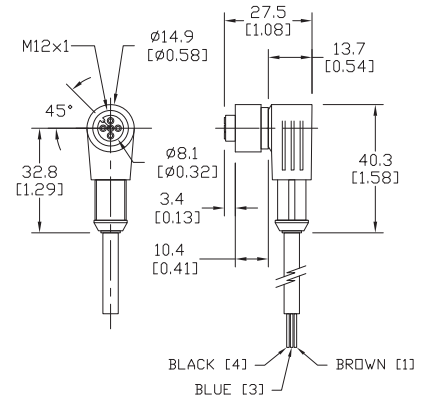


Figure 11

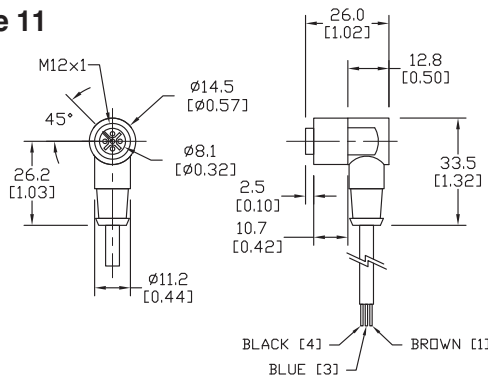


Figure 12

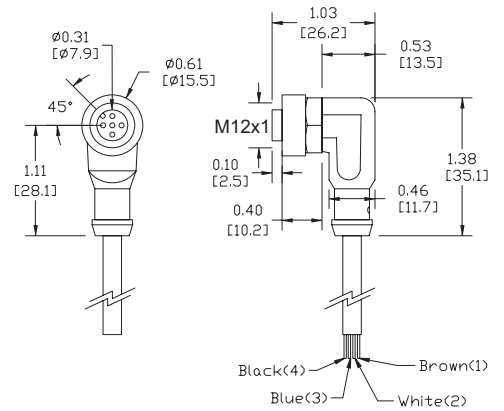


Figure 13

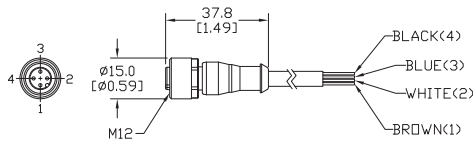


Figure 14

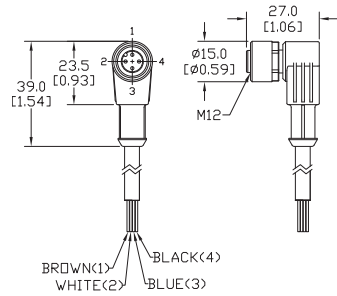


Figure 15

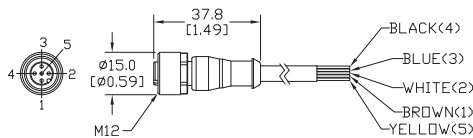
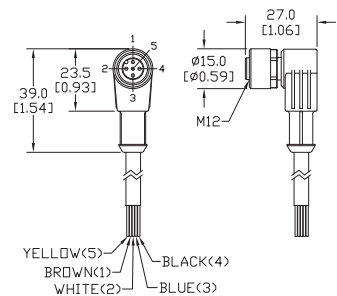


Figure 16



Sensor Cables and Connectors

Dimensions

mm [inches]

Figure 17

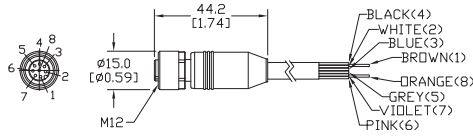


Figure 18

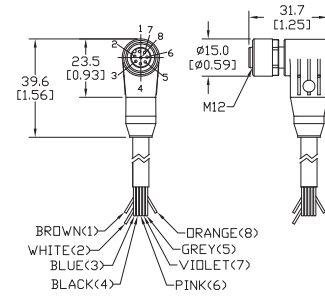


Figure 19

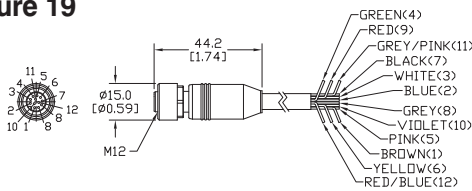


Figure 20

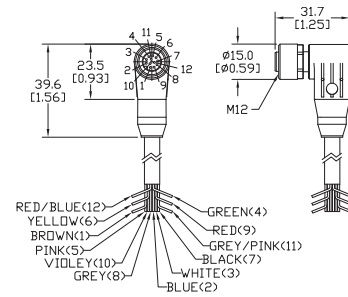


Figure 21

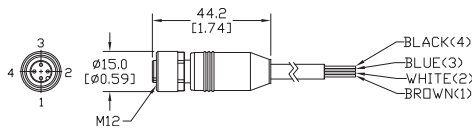


Figure 22

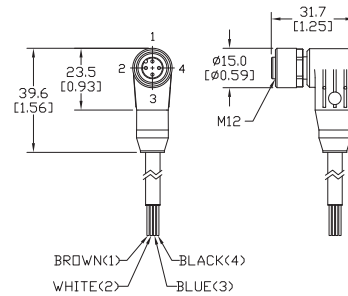


Figure 23

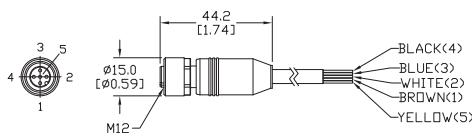


Figure 24

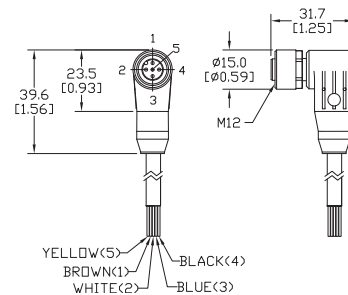


Figure 25

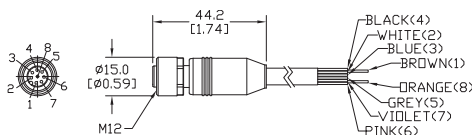
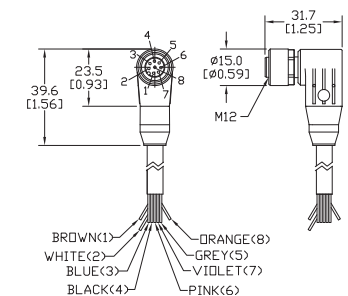


Figure 26



Accessories: Adapter, Mounting Brackets

ST12A axial bracket

For mounting M12 (12 mm) sensors. Has two mounting holes (use 3 mm screws) and allows the rotation of an optical axis for right-beam angle adapter sensors. Hexagonal nuts not included.



ST12C right-angle bracket

Angular mounting bracket for use with M12 (12 mm) sensors. Has two mounting holes (use 3 mm screws) and allows the rotation of an optical axis for axial sensors. Hexagonal nuts not included.

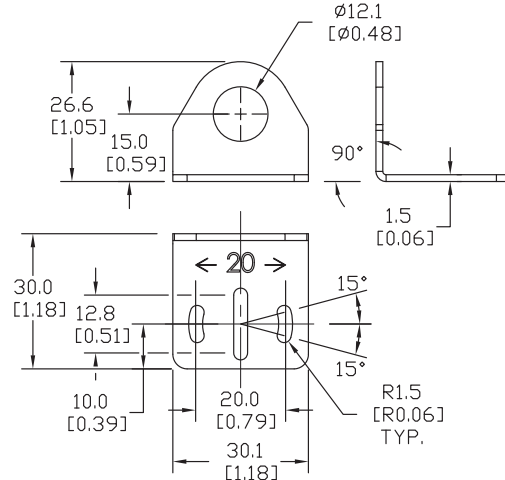
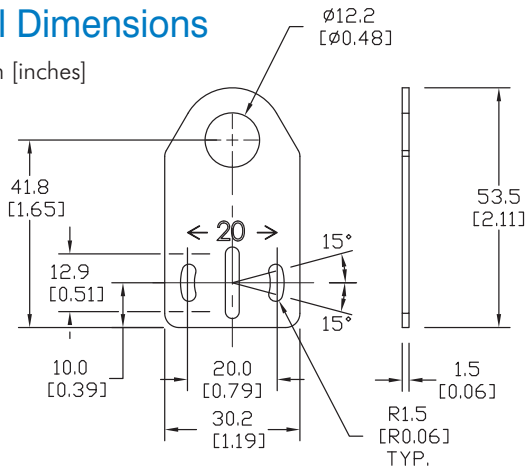


| Brackets | | |
|-------------|-------|--|
| Part Number | Price | Description |
| ST12A | <---> | Zinc plated iron axial bracket for 12 mm sensors, 1/pk |
| ST12A7W | <---> | 316L stainless steel axial bracket for 12 mm sensors, 1/pk |

| Brackets | | |
|-------------|-------|--|
| Part Number | Price | Description |
| ST12C | <---> | Zinc plated iron right angle bracket for 12 mm sensors, 1/pk |
| ST12C7W | <---> | 316L stainless steel right angle bracket for 12 mm sensors, 1/pk |

All Dimensions

mm [inches]



ST18A axial bracket

Mounting bracket for M18 (18 mm) sensors. Has two mounting holes (use 4 mm screws) and allows the rotation of an optical axis for right-beam-angle-adapter sensors. Hexagonal nuts not included.



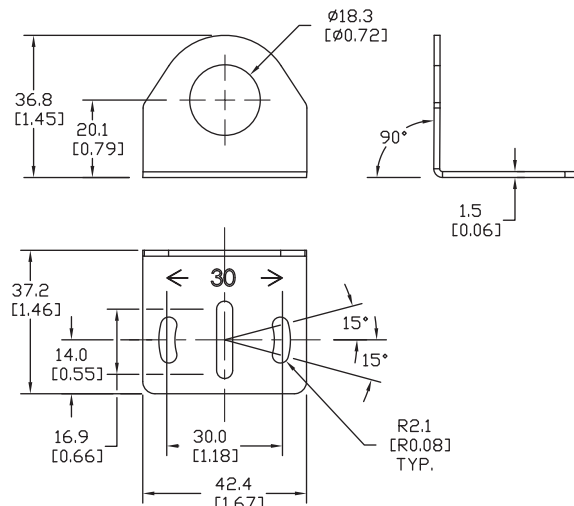
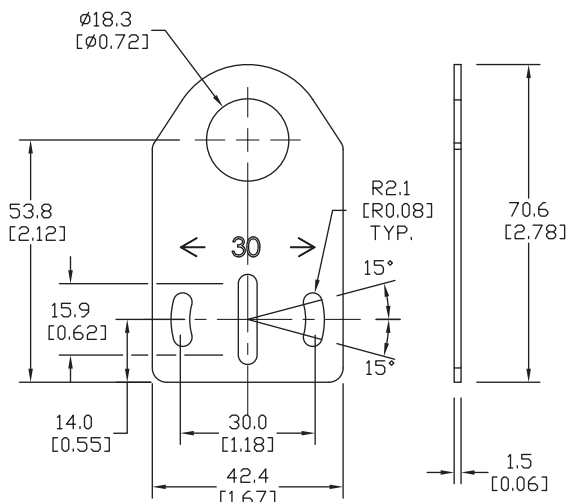
ST18C right-angle bracket

Angular mounting bracket for M18 (18 mm) sensors. Has two mounting holes (use 4 mm screws) and allows the rotation of an optical axis for axial sensors. Hexagonal nuts not included.



| Brackets | | |
|-------------|-------|--|
| Part Number | Price | Description |
| ST18A | <---> | Zinc plated iron axial bracket for 18 mm sensors, 1/pk |
| ST18A7W | <---> | 316L stainless steel axial bracket for 18 mm sensors, 1/pk |

| Brackets | | |
|-------------|-------|--|
| Part Number | Price | Description |
| ST18C | <---> | Zinc plated iron right angle bracket for 18 mm sensors, 1/pk |
| ST18C7W | <---> | 316L stainless steel right angle bracket for 18 mm sensors, 1/pk |



Accessories: Mounting Brackets

ST30A axial bracket

Mounting M30 (30 mm) sensors. Has two mounting holes (use 5 mm screws) and allows the rotation of an optical axis for right-beam-angle-adaptor sensors. Hexagonal nuts not included.



ST30C right-angle bracket

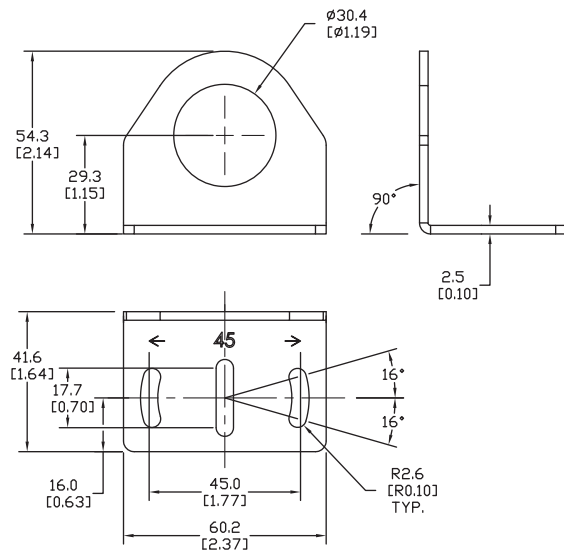
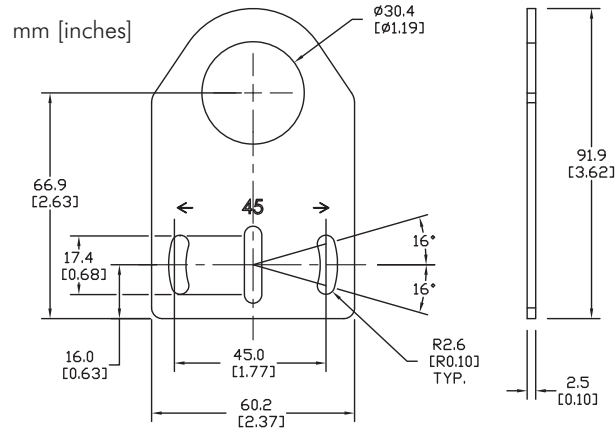
Angular mounting bracket for M30 (30 mm) sensors. Has two mounting holes (use 5 mm screws) and allows the rotation of an optical axis for axial sensors. Hexagonal nuts not included.



| Brackets | | |
|--------------|-------|--|
| Part Number | Price | Description |
| ST30A | <---> | Zinc plated iron axial bracket for 30 mm sensors, 1/pk |

| Brackets | | |
|--------------|-------|--|
| Part Number | Price | Description |
| ST30C | <---> | Zinc plated iron right angle bracket for 30 mm sensors, 1/pk |

All Dimensions



We sell good proximity sensors at great prices – and we back them up!

AutomationDirect Lifetime Warranty

Registration required

For inductive proximity sensors sold to the Original User for the lifetime of the original application.

The following terms apply to the LIFETIME WARRANTY in addition to the General Terms:

1. This warranty is available only to AUTOMATIONDIRECT's authorized Value Added Resellers and to the Original User. In the event the ownership of the product is transferred to a person, firm, or corporation other than the Original User, this WARRANTY shall terminate.

2. This WARRANTY is applicable only to the original installation of the product. In the event the machinery, equipment, or production line to which the product is connected, or on which it is installed, is substituted, changed, moved or replaced, the WARRANTY shall terminate.

3. This WARRANTY shall be valid only if the product was purchased by the Original User from AUTOMATIONDIRECT, or from an authorized AUTOMATIONDIRECT Value Added Reseller, or was an integral part of a piece of machinery and equipment obtained by the Original User from an original equipment manufacturer, where the part was purchased by the original equipment manufacturer directly from AUTOMATIONDIRECT or from an authorized AUTOMATIONDIRECT Value Added Reseller.

Purchaser's remedies

This remedy shall apply to all WARRANTIES. If an AUTOMATIONDIRECT Value Added Reseller desires to make a WARRANTY claim, the Value Added Reseller shall, if requested by AUTOMATIONDIRECT, ship the product to AUTOMATIONDIRECT's facility in Cumming, GA postage or freight prepaid. If the Original User desires to make a WARRANTY Claim, they shall notify the authorized Value Added Reseller from whom it was purchased or, if purchased directly from AUTOMATIONDIRECT, shall notify AUTOMATIONDIRECT and, if requested by AUTOMATIONDIRECT, ship the Product to AUTOMATIONDIRECT's facility in Cumming, GA postage or freight prepaid. AUTOMATIONDIRECT shall, at its option, take any of the following two courses of action for any products which AUTOMATIONDIRECT determines are defective in materials or workmanship.

1. Repair or replace the product and ship the product to the Original User or to the authorized AUTOMATIONDIRECT Value Added Reseller, postage or freight prepaid; or
2. Repay to the Original User that price paid by the Original User; provided that if the claim is made under the lifetime warranty, and such product is not then being supplied by AUTOMATIONDIRECT, then the amount to be repaid by AUTOMATIONDIRECT to the Original User shall be reduced according to the following schedule:

| Number of Years Since Date of Purchase by Original User | Percent of Original Purchase Price To Be Paid by AutomationDirect |
|---|---|
| 10 | 50 percent |
| 15 | 25 percent |
| 20 | 10 percent |
| More than 20 | 5 percent |

REMEDIES OF PURCHASER'S AND VALUE ADDED RESELLERS SHALL BE LIMITED EXCLUSIVELY TO THE RIGHT OF REPLACEMENT, REPAIR OR REPAYMENT AS PROVIDED ABOVE AND DOES NOT INCLUDE ANY LABOR COST OR REPLACEMENT AT ORIGINAL USER'S SITE. AUTOMATIONDIRECT.COM SHALL NOT BE LIABLE FOR ANY CONSEQUENTIAL DAMAGES RESULTING FROM ANY BREACH OF ANY WARRANTY, EXPRESSED OR IMPLIED, APPLICABLE TO THE PRODUCT, INCLUDING WITHOUT LIMITATION, ANY DAMAGES RESULTING FROM PROPERTY DAMAGE, PERSONAL INJURY OR BUSINESS INTERRUPTION, EVEN IF NOTIFIED OF THE POSSIBILITY OF SUCH DAMAGES.

Inductive proximity sensors warranty form may be obtained online at:

<http://www.automationdirect.com/static/specs/proxwarranty.pdf>