

# DW Series 20mm x 32mm Stainless Steel Proximity Sensors



## Miniature 20mm x 32mm stainless steel – DC

- Eight models available
- Miniature 20mm x 32mm proximity sensor
- Complete overload protection
- IP68/IP69K-rated
- Stainless steel construction
- One-piece for harsh duty applications
- LED status indicator
- Lifetime warranty
- IO-Link models available



**DW Series 20mm x 32mm Inductive Prox Selection Chart**

Part Number	Price	Size	Sensing Range	Mounting	Output State	Logic	Connection	Wiring	Dimensions
<b>Extended Distance</b>									
<b>DW-AD-701-C23</b>		20 x 32 x 8 mm (0.79 x 1.26 x 0.31 in)	7mm (0.276 in)	Flush	N.O.	NPN	2m (6.5 ft) axial cable	Diagram 1	Figure 1
<b>DW-AD-703-C23*</b>		20 x 32 x 8 mm (0.79 x 1.26 x 0.31 in)	7mm (0.276 in)	Flush	N.O.	PNP	2m (6.5 ft) axial cable	Diagram 2	Figure 1
<b>DW-AV-701-C23-276</b>		20 x 32 x 8 mm (0.79 x 1.26 x 0.31 in)	7mm (0.276 in)	Flush	N.O.	NPN	M8 with 0.2 m (0.66 ft) cable	Diagram 3	Figure 2
<b>DW-AV-703-C23-276*</b>		20 x 32 x 8 mm (0.79 x 1.26 x 0.31 in)	7mm (0.276 in)	Flush	N.O.	PNP	M8 with 0.2 m (0.66 ft) cable	Diagram 4	Figure 2
<b>DW-AD-702-C23</b>		20 x 32 x 8 mm (0.79 x 1.26 x 0.31 in)	7mm (0.276 in)	Flush	N.C.	NPN	2m (6.5 ft) axial cable	Diagram 1	Figure 1
<b>DW-AD-704-C23</b>		20 x 32 x 8 mm (0.79 x 1.26 x 0.31 in)	7mm (0.276 in)	Flush	N.C.	PNP	2m (6.5 ft) axial cable	Diagram 2	Figure 1
<b>DW-AV-702-C23-276</b>		20 x 32 x 8 mm (0.79 x 1.26 x 0.31 in)	7mm (0.276 in)	Flush	N.C.	NPN	M8 with 0.2 m (0.66 ft) cable	Diagram 3	Figure 2
<b>DW-AV-704-C23-276</b>		20 x 32 x 8 mm (0.79 x 1.26 x 0.31 in)	7mm (0.276 in)	Flush	N.C.	PNP	M8 with 0.2 m (0.66 ft) cable	Diagram 4	Figure 2

\* IO-Link model

# DW Series 20mm x 32mm Stainless Steel Proximity Sensors

DW Series 20mm x 32 mm Specifications	
	DW-Ax-70x-C23
Mounting Type	Flush
Nominal Sensing Distance	7mm [0.276 in]
Operating Distance	–
Material Correction Factors	See the <a href="#">Material influence table</a>
Output Type	NPN or PNP, N.O., N.C.
Operating Voltage	10 to 30 VDC
No-load Supply Current	≤ 10mA
Operating (Load) Current	≤ 200mA
Off-state (Leakage) Current	≤ 0.1 mA
Voltage Drop	≤ 2 V
Switching Frequency	≤ 180 Hz
Differential Travel (% of Nominal Distance)	≤ 10%
Repeat Accuracy	0.3 mm
Ripple	≤ 20%
Time Delay Before Availability (tv)	≤ 20ms
Reverse Polarity Protection	Yes
Short-Circuit Protection	Yes
Operating Temperature	-25 to 85°C [-13 to 185°F]
Protection Degree (DIN 40050)	IP68 & IP69K
Indication/Switch Status	The LED is located where the cable enters the sensor body. Indicator LED, Yellow, Solid: Indicates target is between 0 and 80% of Range Indicator LED, Yellow, Blinking: Indicates target is between 80 and 100% of Range and nearing max range
Housing Material	Stainless steel V4A
Sensing Face Material	Stainless steel V4A
Shock/Vibration	IEC 60947-5-2/7.4
Tightening Torque	–
Weight	47g [1.66 oz] with cable, 25g [0.88 oz] without cable
Connection	2m [6.56 ft] cable (PVC [polyvinyl chloride] 3 x 0.14mm <sup>2</sup> ≈ 26 AWG) or 0.2 m [0.66 ft] cable (PVC [polyvinyl chloride]) with M8 connection
Minimum Mounting Distance (center to center)	60.0 mm [2.36 in]
IO-Link	PNP N.O. version only
Agency Approvals	CE, cULus E239373

Note: To obtain the most current agency approval information, see the Agency Approval Checklist section on the specific part number's web page.

## Wiring diagrams

Diagram 1

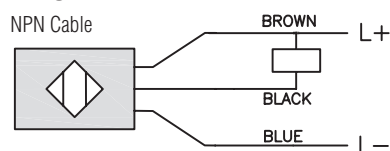
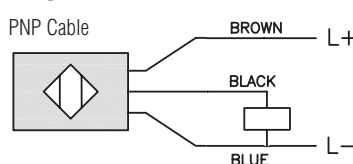


Diagram 2



Connectors

M8 connector

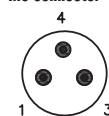


Diagram 3

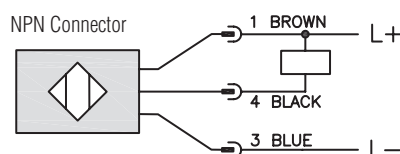
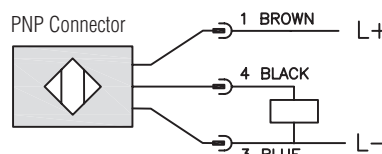


Diagram 4



# DW Series 20mm x 32mm Stainless Steel Proximity Sensors

## Dimensions

mm [inches]

Figure 1

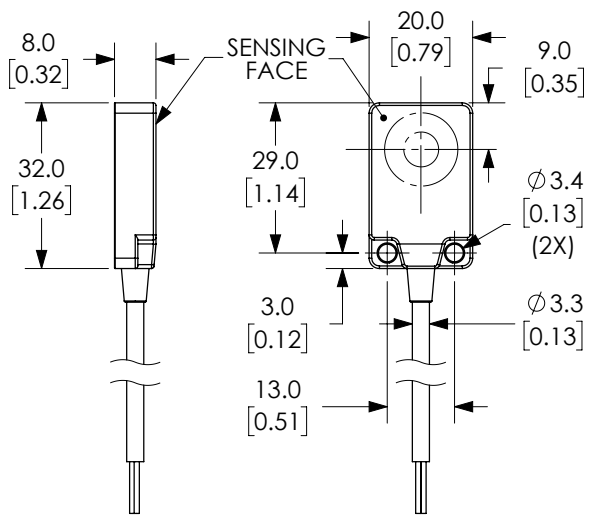
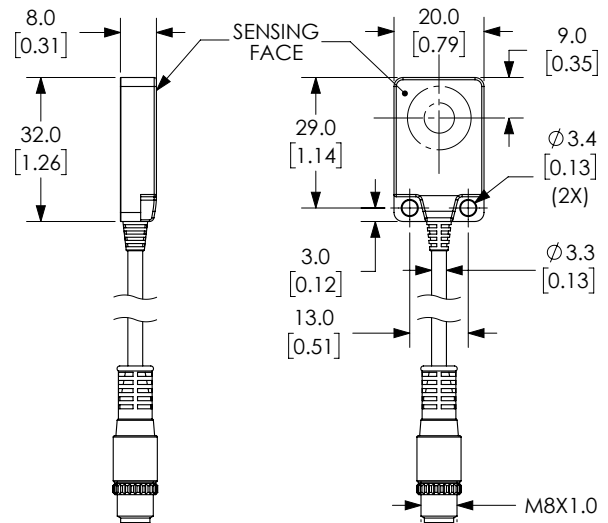


Figure 2



See our website for complete engineering drawings.