

AT Series Inductive Proximity Sensors

M30 (30mm) metal – DC



- 24 models available
- Standard and extended distance models available
- 2-wire and 3-wire models
- Axial cable or M12 quick-disconnect models
- LED status indicators are visible 360° around the cylinder
- Complete overload protection
- IP67 rated
- Lifetime warranty



AT Series M30 DC Inductive Prox Selection Chart								
Part Number	Price	Sensing Range	Mounting	Output State	Logic	Connection	Wiring	Dimensions
Standard Distance								
AT1-AN-1A		10mm (0.394 in)	Flush	N.O.	NPN	2m (6.5') axial cable	Diagram 1	Figure 1
AT1-AP-1A					PNP	2m (6.5') axial cable	Diagram 1	Figure 1
AT1-A0-1A					Sink/source	2m (6.5') axial cable	Diagram 2	Figure 1
AT1-AN-1H					NPN	M12 (12mm) connector	Diagram 1	Figure 2
AT1-AP-1H					PNP	M12 (12mm) connector	Diagram 1	Figure 2
AT1-A0-1H					Sink/source	M12 (12mm) connector	Diagram 2	Figure 2
AT1-AN-2A		15mm (0.591 in)	Non-flush	N.O.	NPN	2m (6.5') axial cable	Diagram 1	Figure 1
AT1-AP-2A					PNP	2m (6.5') axial cable	Diagram 1	Figure 1
AT1-A0-2A					Sink/source	2m (6.5') axial cable	Diagram 2	Figure 1
AT1-AN-2H					NPN	M12 (12mm) connector	Diagram 1	Figure 2
AT1-AP-2H					PNP	M12 (12mm) connector	Diagram 1	Figure 2
AT1-A0-2H					Sink/source	M12 (12mm) connector	Diagram 2	Figure 2
Extended Distance								
AT1-AN-3A		15mm (0.591 in)	Flush	N.O.	NPN	2m (6.5') axial cable	Diagram 1	Figure 1
AT1-AP-3A					PNP	2m (6.5') axial cable	Diagram 1	Figure 1
AT1-A0-3A					Sink/source	2m (6.5') axial cable	Diagram 2	Figure 1
AT1-AN-3H					NPN	M12 (12mm) connector	Diagram 1	Figure 2
AT1-AP-3H					PNP	M12 (12mm) connector	Diagram 1	Figure 2
AT1-A0-3H					Sink/source	M12 (12mm) connector	Diagram 2	Figure 2
AT1-AN-4A		20mm (0.787 in)	Non-flush	N.O.	NPN	2m (6.5') axial cable	Diagram 1	Figure 1
AT1-AP-4A					PNP	2m (6.5') axial cable	Diagram 1	Figure 1
AT1-A0-4A					Sink/source	2m (6.5') axial cable	Diagram 2	Figure 1
AT1-AN-4H					NPN	M12 (12mm) connector	Diagram 1	Figure 2
AT1-AP-4H					PNP	M12 (12mm) connector	Diagram 1	Figure 2
AT1-A0-4H					Sink/source	M12 (12mm) connector	Diagram 2	Figure 2

Dimensions

mm[inches]

Figure 1

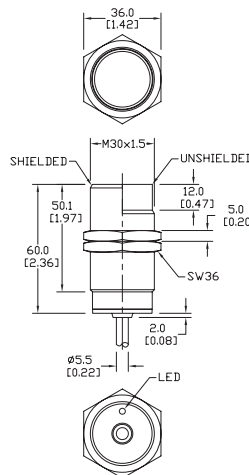
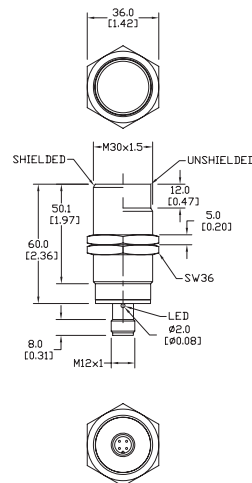


Figure 2



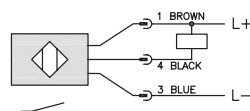
AT Series Inductive Proximity Sensors

AT Series Specifications				
Mounting Type	Standard Distance Models		Extended Distance Models	
	Flush	Non-flush	Flush	Non-flush
Nominal Sensing Distance	10mm (0.394 in)	15mm (0.591 in)	15mm (0.591 in)	20mm (0.787 in)
Operating Distance	NA			
Material Correction Factors	See the Material influence table			
Output Type	Three wire: NPN or PNP/N.O. (normally open) / Two wire: sink/source, N.O. only			
Operating Voltage	10 to 30 VDC			
No-load Supply Current	≤ 20 mA			
Operating (Load) Current	3 wire: ≤ 400mA / 2-wire: 3-100mA		2-wire and 3-wire: ≤ 400mA	
Off-state (Leakage) Current	3-wire: ≤ 10µA / 2-wire: ≤ 0.8mA max.		3-wire ≤ 8µA / 2-wire: ≤ 0.8mA max.	
Voltage Drop	3-wire: ≤ 1 volt max. / 2-wire: ≤ 2.8V ≤ 10%		3-wire: ≤ 1 volt max. / 2-wire: ≤ 2.8 V	
Switching Frequency	3-wire: 200Hz / 2-wire: 150Hz		2-and 3-wire: 150Hz	
Differential Travel	2 to 10%		2 to 15%	
Repeat Accuracy	3-wire: 2% / 2-wire: 5%		2-wire and 3-wire: 5%	
Ripple	≤ 10%			
Time Delay Before Availability (tv)	3-wire: 100ms / 2-wire: 50ms		3-wire: 100ms / 2-wire: 50ms	
Reverse Polarity Protection	Yes			
Short-Circuit Protection	Yes (switch auto-resets after overload is removed)			
Operating Temperature	-25° to + 70°C (-13° to 158°F); drift: 10% Sr			
Protection Degree (DIN 40050)	IEC IP67			
Indication/Switch Status	Yellow (NO output energized)			
Housing Material	Nickel-plated brass			
Sensing Face Material	Polybutylene Terephthalate (PBT)			
Shock/Vibration	See Proximity Sensor Terminology			
Tightening Torque	50 Nm (36.88 lbs-ft.)			
Weight	A type (w/ cable): 180 g (6.35 oz) H type: 110 g (3.88 oz)			
Connection	2 meter axial cable or M12 connector			
Agency Approvals	NA			

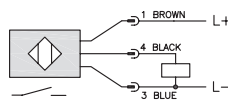
Wiring diagrams

Diagram 1

NPN Output



PNP Output



Connector

M12 connector

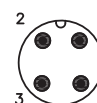
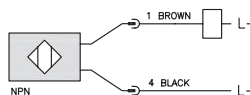
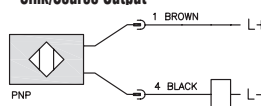


Diagram 2

Sink/Source Output



Sink/Source Output



Wiring diagram when sensor is wired in sinking mode used with a sourcing module.

Wiring diagram when sensor is wired in sourcing mode used with a sinking module.

Note: Negative (-) lead is Black on M12 quick disconnect cables and Blue on axial cables.

Accessories for 30mm Sensors

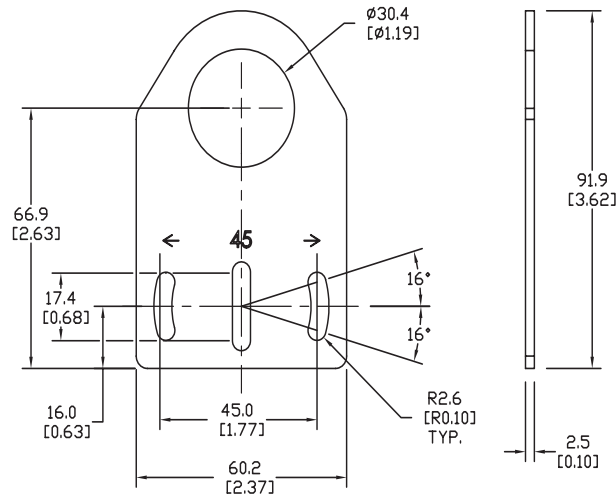
Axial Mounting Bracket

Mounting bracket, axial, zinc-plated steel. For use with 30mm sensors. Has two mounting holes (use 5mm screws) and allows the rotation of an optical axis for right-beam-angle-adaptor sensors. Hexagonal nuts not included.

Accessories for 30mm Sensors			
Part Number	Price	Description	Weight lb [g]
ST30A		Mounting bracket, axial, zinc plated steel. For use with 30mm sensors.	0.18 (81.7)

Dimensions

mm [inches]



ST30A

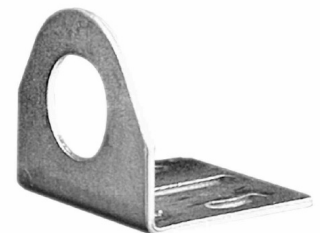
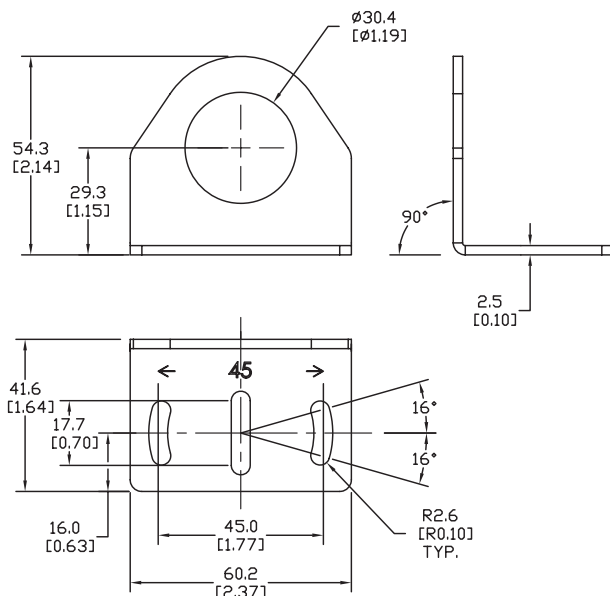
Right-angle Mounting Bracket

Mounting bracket, right-angle, zinc-plated steel. For use with 30mm sensors. Has two mounting holes (use 5mm screws) and allows the rotation of an optical axis for axial sensors. Hexagonal nuts not included.

Accessories for 30mm Sensors			
Part Number	Price	Description	Weight lb [g]
ST30C		Mounting bracket, right-angle, zinc plated steel. For use with 30mm sensors.	0.18 (81.7)

Dimensions

mm [inches]



ST30C

Accessories for 30mm Sensors

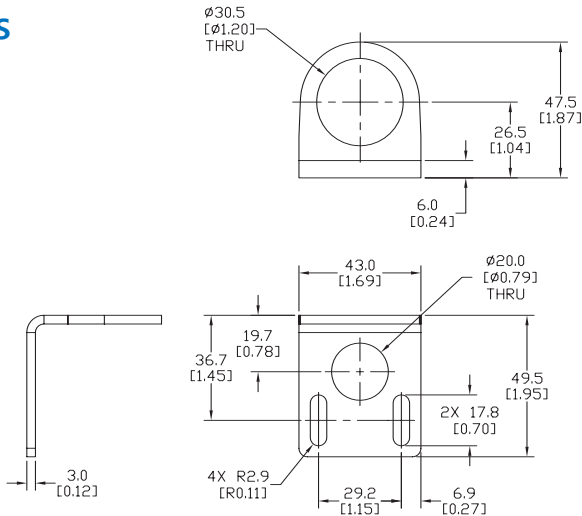
Right-angle Mounting Bracket

Mounting bracket, right-angle, 304 stainless steel. For use with 30mm sensors.

Accessories for FW Series Sensors			
Part Number	Price	Description	Weight lb [g]
ST30C6W		Mounting bracket, right-angle, 304 stainless steel. For use with 30mm sensors.	0.15 (68.0)

Dimensions

mm [inches]



ST30C6W

Right-angle Swivel Mounting Systems

Mounting bracket, right-angle swivel, 360 degree vertical and horizontal adjustment, 12mm rod mount. For use with 30mm sensors. Available in all 304 stainless steel or with an aluminum head with a 304 stainless steel mounting plate.

Accessories for 30mm Sensors						
Part Number	Price	Description	Mounting Head	Mounting Plate	Drawing Link	Weight lb [g]
OPT2118		Wenglor mounting bracket, right-angle swivel, 360 degree vertical and horizontal adjustment, aluminum, 12mm rod mount. For use with 30mm sensors.	Aluminum	304 Stainless steel	PDF	0.18 (81.7)
OPT2119		Wenglor mounting bracket, right-angle swivel, 360 degree vertical and horizontal adjustment, 304 stainless steel, 12mm rod mount. For use with 30mm sensors.	304 Stainless Steel	304 Stainless steel	PDF	0.18 (81.7)

Note: 304 Stainless steel mounting rods sold separately: OPT2109 (200mm [7.87 in] length), OPT2110 (300mm [11.81 in] length), and OPT2111 (500mm [19.69 in] length).



OPT2118, OPT2119

Mounting Rods and Brackets

Mounting Rods

304 Stainless steel rods for mounting swivel brackets OPT2112 - OPT2127. Available in three lengths: 200mm, 300mm, and 500mm. 12mm diameter.

Mounting Rods for OPT2112-2127 Swivel Mounting Brackets				
Part Number	Price	Description	Drawing Link	Weight lb (g)
OPT2109		Wenglor mounting rod, 12mm diameter, 200mm length, 304 stainless steel.	PDF	0.41 (185.97)
OPT2110		Wenglor mounting rod, 12mm diameter, 300mm length, 304 stainless steel.	PDF	0.60 (272.16)
OPT2111		Wenglor mounting rod, 12mm diameter, 500mm length, 304 stainless steel.	PDF	0.98 (444.52)



Right-angle Mounting Bracket

Mounting bracket, right-angle, nickel-plated brass. For use with 12mm mounting rods OPT2109, OPT2110 & OPT2111.

Right-angle Mounting Brackets for 12mm Sensors				
Part Number	Price	Description	Drawing Link	Weight lb (g)
OPT2108		Wenglor mounting bracket, right-angle, nickel plated brass. For use with 12mm mounting rods OPT2109, OPT2110 & OPT2111.	PDF	0.07 (31.8)

