

# DW Series 30mm Triple Sensing Proximity Sensors



## M30 (30mm) Chrome Plated Brass – DC

- Sixteen models available
- 30mm threaded triple distance proximity sensor
- 22mm and 40mm sensing
- Complete overload protection
- IP67 rated
- Two M30 lock nuts included
- Chrome plated brass construction
- LED status indicator
- Lifetime warranty



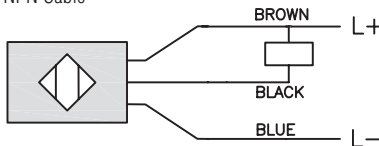
### DW Series 30mm Stainless Steel Triple Distance Inductive Prox Selection Chart

Part Number	Price	Size	Sensing Range	Mounting	Output State	Logic	Connection	Wiring	Dimensions
<b>Triple Distance Semi-flush</b>									
<b>DW-AD-501-M30</b>		M30	22mm (0.866 in)	Semi-flush	N.O.	NPN	2m (6.5 ft) axial cable	Diagram 1	Figure 1
<b>DW-AD-503-M30</b>		M30	22mm (0.866 in)	Semi-flush	N.O.	PNP	2m (6.5 ft) axial cable	Diagram 2	Figure 1
<b>DW-AS-501-M30-002</b>		M30	22mm (0.866 in)	Semi-flush	N.O.	NPN	M12 quick-disconnect	Diagram 3	Figure 3
<b>DW-AS-503-M30-002</b>		M30	22mm (0.866 in)	Semi-flush	N.O.	PNP	M12 quick-disconnect	Diagram 4	Figure 3
<b>DW-AD-502-M30</b>		M30	22mm (0.866 in)	Semi-flush	N.C.	NPN	2m (6.5 ft) axial cable	Diagram 1	Figure 1
<b>DW-AD-504-M30</b>		M30	22mm (0.866 in)	Semi-flush	N.C.	PNP	2m (6.5 ft) axial cable	Diagram 2	Figure 1
<b>DW-AS-502-M30-002</b>		M30	22mm (0.866 in)	Semi-flush	N.C.	NPN	M12 quick-disconnect	Diagram 3	Figure 3
<b>DW-AS-504-M30-002</b>		M30	22mm (0.866 in)	Semi-flush	N.C.	PNP	M12 quick-disconnect	Diagram 4	Figure 3
<b>Triple Distance Non-flush</b>									
<b>DW-AD-511-M30</b>		M30	40mm (1.574 in)	Non-flush	N.O.	NPN	2m (6.5 ft) axial cable	Diagram 1	Figure 2
<b>DW-AD-513-M30</b>		M30	40mm (1.574 in)	Non-flush	N.O.	PNP	2m (6.5 ft) axial cable	Diagram 2	Figure 2
<b>DW-AS-511-M30-002</b>		M30	40mm (1.574 in)	Non-flush	N.O.	NPN	M12 quick-disconnect	Diagram 3	Figure 4
<b>DW-AS-513-M30-002</b>		M30	40mm (1.574 in)	Non-flush	N.O.	PNP	M12 quick-disconnect	Diagram 4	Figure 4
<b>DW-AD-512-M30</b>		M30	40mm (1.574 in)	Non-flush	N.C.	NPN	2m (6.5 ft) axial cable	Diagram 1	Figure 2
<b>DW-AD-514-M30</b>		M30	40mm (1.574 in)	Non-flush	N.C.	PNP	2m (6.5 ft) axial cable	Diagram 2	Figure 2
<b>DW-AS-512-M30-002</b>		M30	40mm (1.574 in)	Non-flush	N.C.	NPN	M12 quick-disconnect	Diagram 3	Figure 4
<b>DW-AS-514-M30-002</b>		M30	40mm (1.574 in)	Non-flush	N.C.	PNP	M12 quick-disconnect	Diagram 4	Figure 4

## Wiring diagrams

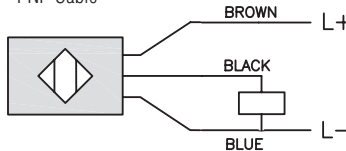
**Diagram 1**

NPN Cable



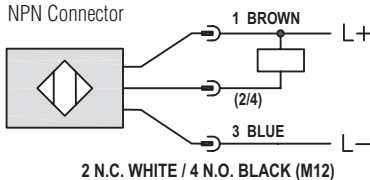
**Diagram 2**

PNP Cable



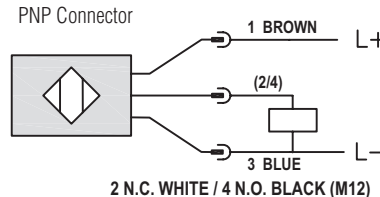
**Diagram 3**

NPN Connector



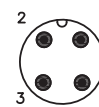
**Diagram 4**

PNP Connector



## Connectors

M12 connector



# DW Series 30mm Triple Sensing Proximity Sensors

DW Series Specifications		
	<i>DW-Ax-50x-M30</i>	<i>DW-Ax-51x-M30</i>
<b>Mounting Type</b>	Semi-flush	Non-flush
<b>Nominal Sensing Distance</b>	22mm	40mm
<b>Operating Distance</b>	NA	
<b>Material Correction Factors</b>	See the <a href="#">Material influence table</a>	
<b>Output Type</b>	NPN or PNP, N.O. or N.C.	
<b>Operating Voltage</b>	10 to 30 VDC	
<b>No-load Supply Current</b>	≤ 10mA	
<b>Operating (Load) Current</b>	≤ 200mA	
<b>Off-state (Leakage) Current</b>	≤ 0.1 mA	
<b>Voltage Drop</b>	≤ 2 V	
<b>Switching Frequency</b>	≤ 200Hz	≤ 100Hz
<b>Differential Travel (% of Nominal Distance)</b>	≤ 10%	
<b>Repeat Accuracy</b>	1.1 mm	2.0 mm
<b>Ripple</b>	≤ 20%	
<b>Time Delay Before Availability (tv)</b>	≤ 200ms	
<b>Reverse Polarity Protection</b>	Yes	
<b>Short-Circuit Protection</b>	Yes	
<b>Operating Temperature</b>	-25 to 70°C (-13 to 158°F)	
<b>Protection Degree (DIN 40050)</b>	IP67	
<b>Indication/Switch Status</b>	Yellow LED	
<b>Housing Material</b>	Chrome plated brass	
<b>Sensing Face Material</b>	PBT (Polybutylene terephthalate)	
<b>Shock/Vibration</b>	IEC 60947-5-2/7.4	
<b>Tightening Torque</b>	--	
<b>Weight</b>	215g (7.58 oz), 155g (5.47 oz)	212g (7.48 oz), 143g (5.04 oz)
<b>Connection</b>	2m cable, M12 connection	
<b>IO-Link</b>	NA	
<b>Agency Approvals</b>	CE, cULus E239373	

Note: To obtain the most current agency approval information, see the Agency Approval Checklist section on the specific part number's web page

# DW Series 30mm Triple Sensing Proximity Sensors

## Dimensions

mm [inches]

Figure 1

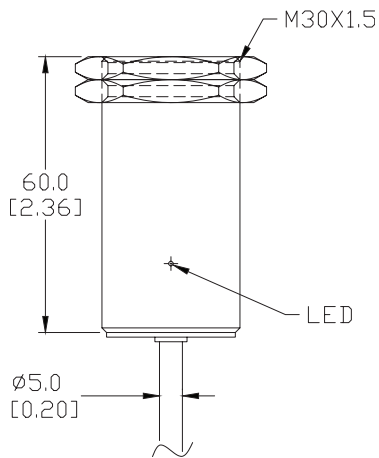


Figure 2

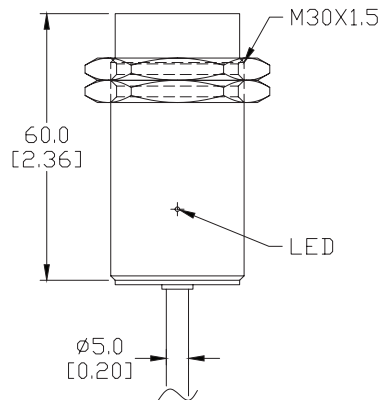


Figure 3

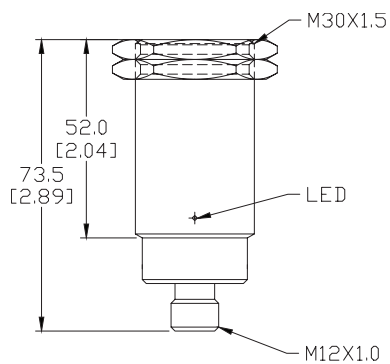
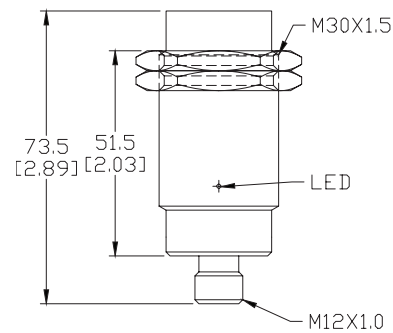


Figure 4



SEE OUR WEBSITE: [WWW.AUTOMATIONDIRECT.COM](http://WWW.AUTOMATIONDIRECT.COM) FOR COMPLETE ENGINEERING DRAWINGS.

# Accessories for 30mm Sensors

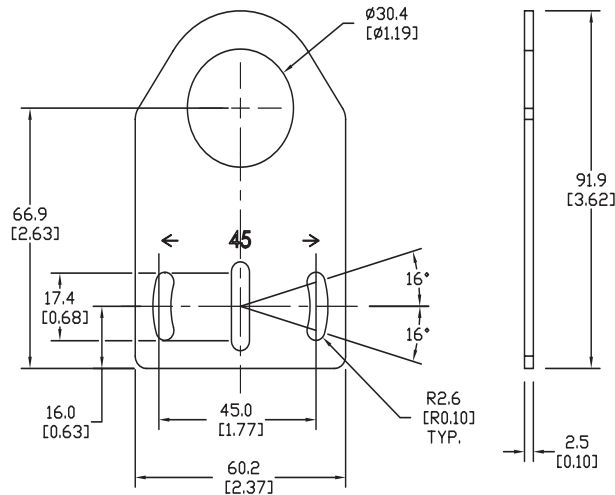
## Axial Mounting Bracket

Mounting bracket, axial, zinc-plated steel. For use with 30mm sensors. Has two mounting holes (use 5mm screws) and allows the rotation of an optical axis for right-beam-angle-adaptor sensors. Hexagonal nuts not included.

Accessories for 30mm Sensors			
Part Number	Price	Description	Weight lb [g]
<b>ST30A</b>		Mounting bracket, axial, zinc plated steel. For use with 30mm sensors.	0.18 (81.7)

### Dimensions

mm [inches]



ST30A

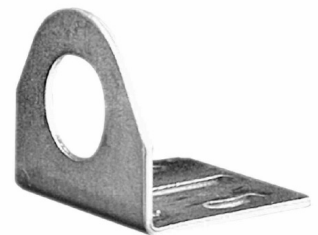
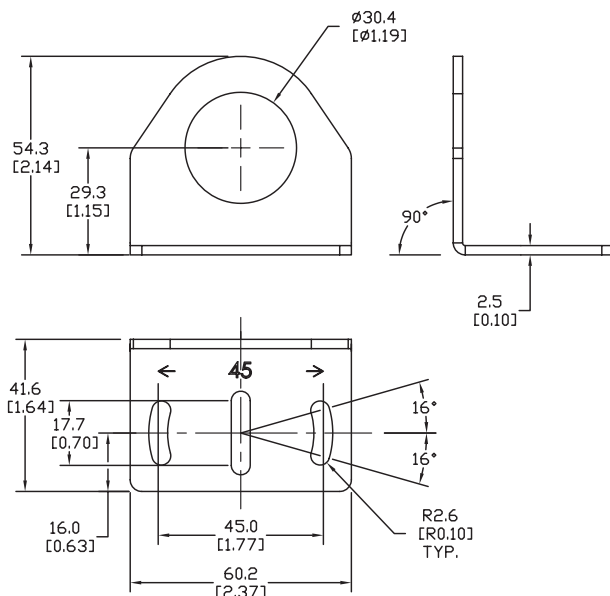
## Right-angle Mounting Bracket

Mounting bracket, right-angle, zinc-plated steel. For use with 30mm sensors. Has two mounting holes (use 5mm screws) and allows the rotation of an optical axis for axial sensors. Hexagonal nuts not included.

Accessories for 30mm Sensors			
Part Number	Price	Description	Weight lb [g]
<b>ST30C</b>		Mounting bracket, right-angle, zinc plated steel. For use with 30mm sensors.	0.18 (81.7)

### Dimensions

mm [inches]



ST30C



# Mounting Rods and Brackets

## Mounting Rods

304 Stainless steel rods for mounting swivel brackets OPT2112 - OPT2127. Available in three lengths: 200mm, 300mm, and 500mm. 12mm diameter.



Mounting Rods for OPT2112-2127 Swivel Mounting Brackets				
Part Number	Price	Description	Drawing Link	Weight lb (g)
<a href="#">OPT2109</a>		Wenglor mounting rod, 12mm diameter, 200mm length, 304 stainless steel.	<a href="#">PDF</a>	0.41 (185.97)
<a href="#">OPT2110</a>		Wenglor mounting rod, 12mm diameter, 300mm length, 304 stainless steel.	<a href="#">PDF</a>	0.60 (272.16)
<a href="#">OPT2111</a>		Wenglor mounting rod, 12mm diameter, 500mm length, 304 stainless steel.	<a href="#">PDF</a>	0.98 (444.52)

## Right-angle Mounting Bracket

Mounting bracket, right-angle, nickel-plated brass. For use with 12mm mounting rods OPT2109, OPT2110 & OPT2111.



Right-angle Mounting Brackets for 12mm Sensors				
Part Number	Price	Description	Drawing Link	Weight lb (g)
<a href="#">OPT2108</a>		Wenglor mounting bracket, right-angle, nickel plated brass. For use with 12mm mounting rods OPT2109, OPT2110 & OPT2111.	<a href="#">PDF</a>	0.07 (31.8)